

CRASH PADS FOR KAWASAKI ZX6R- 07
REF:4429



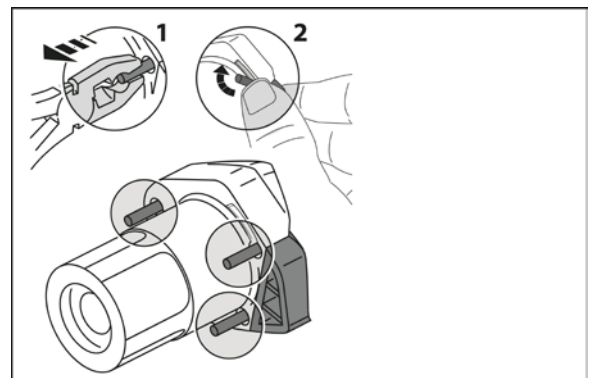
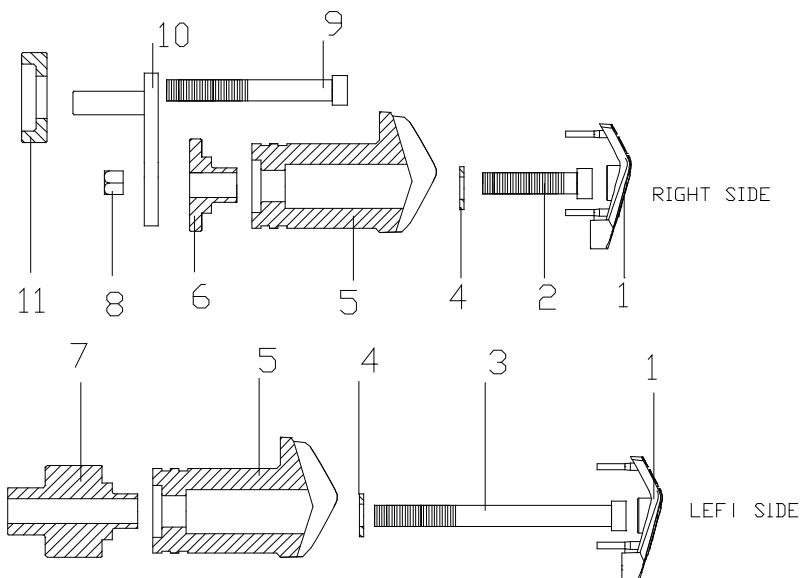
INSTRUCTIONS TO ASSEMBLE



SUPPORT POINT

MATERIAL SUMINISTRADO

POSITION	DESCRIPTION	QUANTITY
1	Plastic lids	2
2	M10/150X40 screw	1
3	M10/125x100screw	1
4	Ø20ext.Ø10int x2 washer	2
5	Nylon protector 85mm	2
6	Aluminium metal arrowhead right hand side	1
7	Aluminium metal arrowhead left hand side	1
8	M10/150 Nut	1
9	M10/125x70	1
10		1
11	Aluminium metal arrowhead	1



THE USE OF CRASH PADS DO NOT GUARANTEE A FULL PROTECTION IN CASE OF ACCIDENT. MOTOPLASTIC-PUIG DECLINE ANY RESPONSIBILITY IN CASE OF MOTORCYCLE DAMAGE.