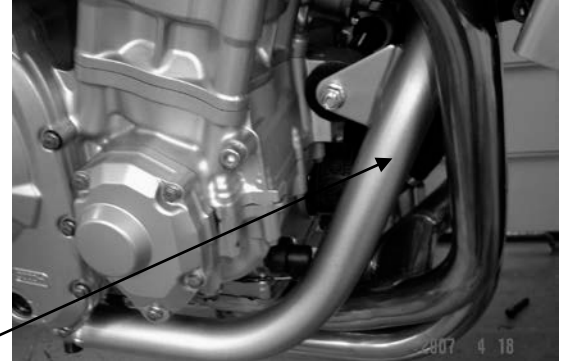


CRASH PADS FOR SUZUKI BANDIT 650 (07)
REF:4428



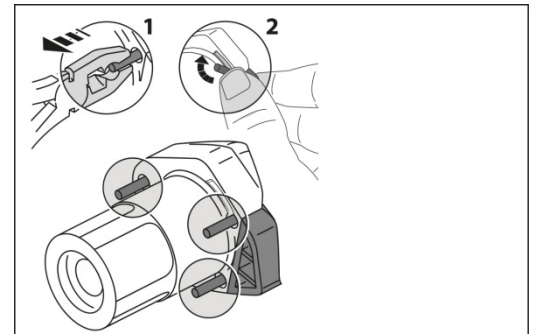
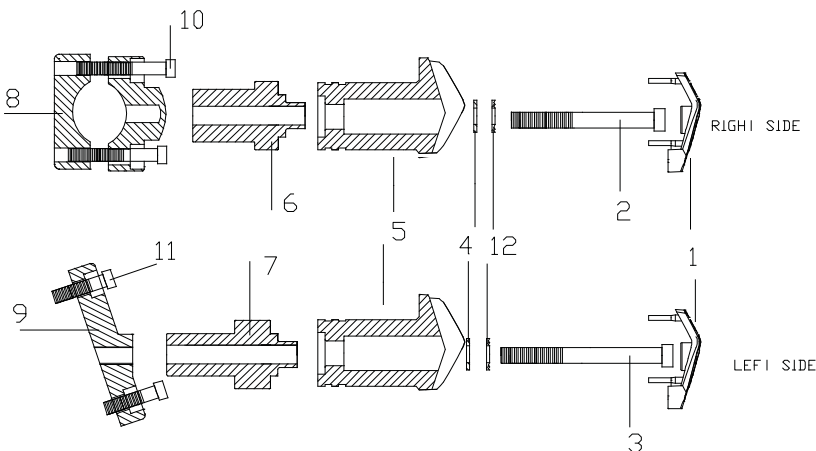
INSTRUCTIONS TO ASSEMBLE



SUPPORT POINT

MATERIAL SUPPLIED

POSITION	DESCRIPTION	QUANTITY
1	Plastic lids	2
2	M10/150x80 screw DIN912	1
3	M10/150x90 screw DIN912	1
4	∅20ext.∅10int x2 washer DIN 125/A	2
5	Nylon protector	2
6	Aluminium metal arrowhead right hand side	1
7	Aluminium metal arrowhead left hand side	1
8		1
9		1
10		2
11		2
12	M10 DIN6798/A	2



THE USE OF CRASH PADS DO NOT GUARANTEE A FULL PROTECTION IN CASE OF ACCIDENT. MOTOPLASTIC-PIUG DECLINE ANY RESPONSIBILITY IN CASE OF MOTORCYCLE DAMAGE.

Learn more about motorcycle frame and body we have.