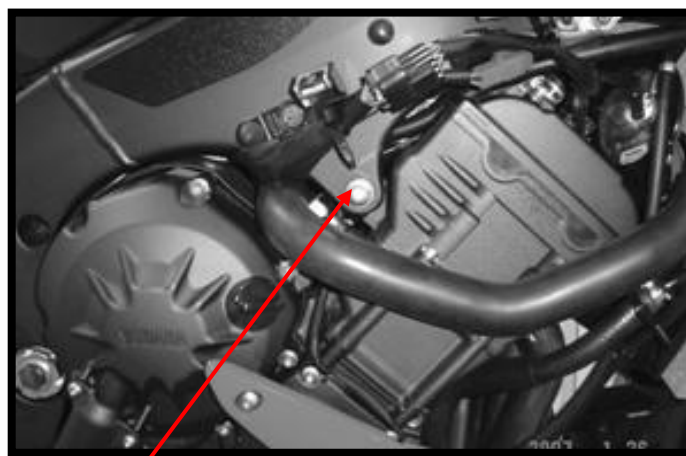
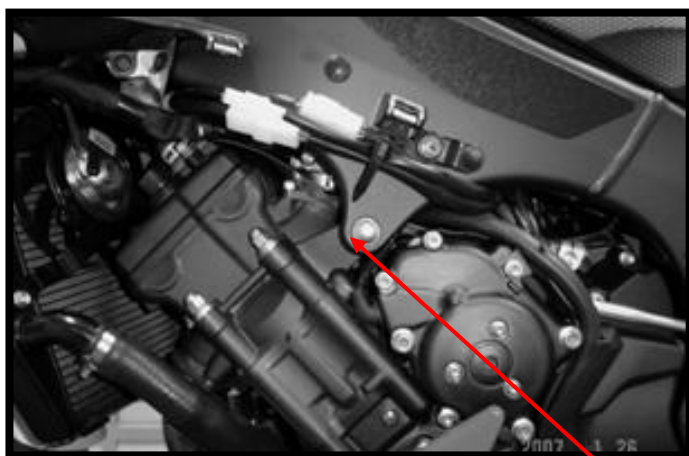


📖 CRASH PADS ADAPTABLE TO YAMAHA R1 07'-08'
REF: 4425



INSTRUCTIONS TO ASSEMBLE

Dismount the fixation screws from the chassis to the engine in the support point marked on the picture (and the opposite side). Mount the crash pads on each own side as the figure shows, using the supplied screws. Once pressed, place the lids (1).



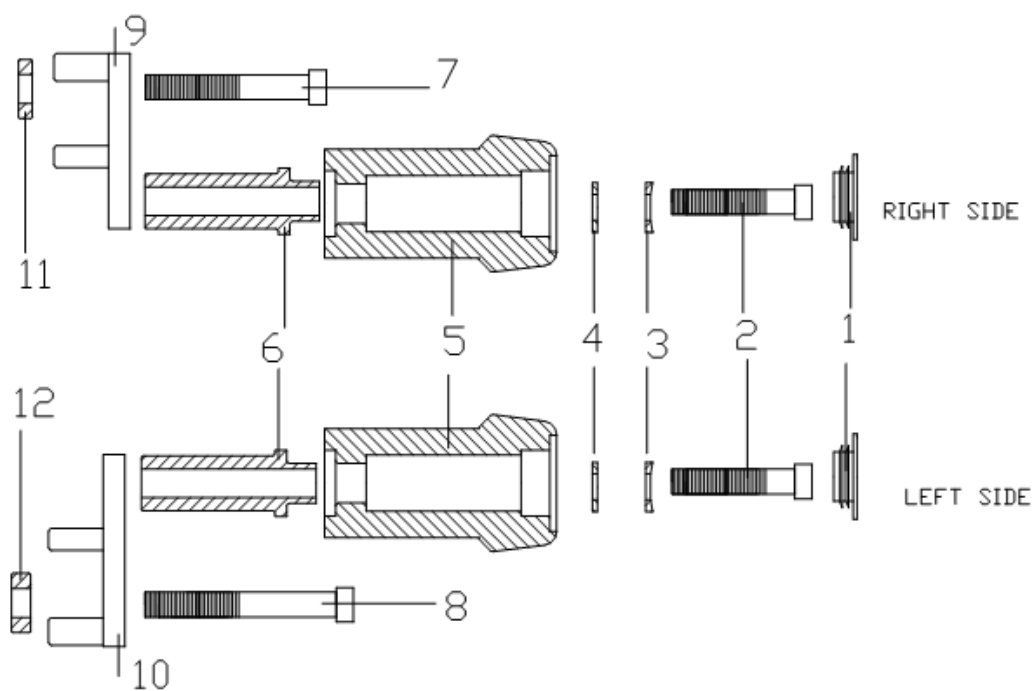
SUPPORT POINT



If you are not a trained mechanic, please contact a specialist for assembling the crash pads. Motoplastic,S.A. takes no responsibility for damages caused by improper installation. The using of crash pads does not guarantee a full protection in case of accident.

MATERIAL SUPPLIED

POSITION	DESCRIPTION	QUANTITY
1	Plastic caps	2
2	M10/150x80 screw DIN912	2
3	Lockwasher DIN6798/A	2
4	Ø20ext.Ø10int x2 washer DIN 125/A	2
5	Nylon protector	2
6	Aluminium metal arrowhead	2
7	DIN912 M10/125x60 screw	1
8	DIN912 M10/125x70 screw	1
9	Right Offset	1
10	Left Offset	1
11	Aluminium metal arrowhead right hand side	1
12	Aluminium metal arrowhead left hand side	1



If you are not a trained mechanic, please contact a specialist for assembling the crash pads. Motoplastic,S.A. takes no responsibility for damages caused by improper installation. The using of crash pads does not guarantee a full protection in case of accident.