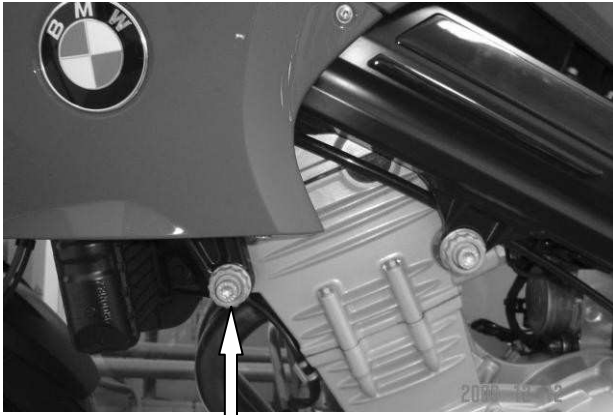


CRASH PADS FOR BMW F800S 06'-11'/F800R 09'-14'
REF:4185



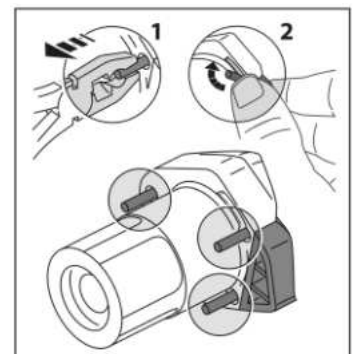
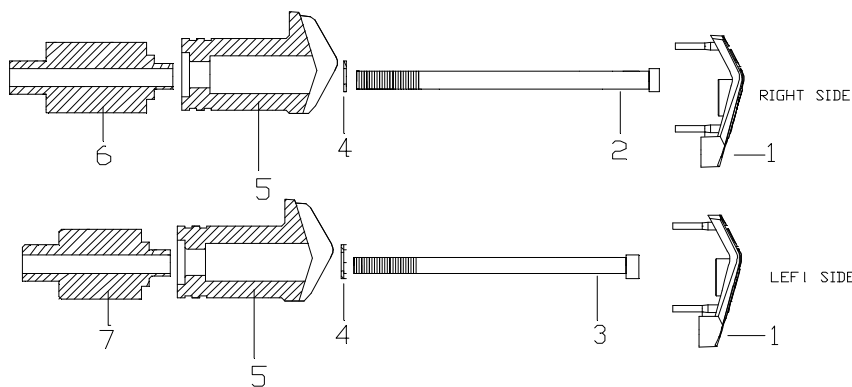
INSTRUCTIONS TO ASSEMBLE

Dismount the fixation screws from the chassis to the engine in the support point marked on the picture (and the opposite side). Mount the crash pads on each own side as the figure shows, using the supplied screws. Once pressed, place the lids (1).



SUPPORT POINT

| POSITION | DESCRIPTION | QUANTITY |
|----------|--------------------------------------|----------|
| 1 | Plastic lids | 2 |
| 2 | M10/150X160 screw | 1 |
| 3 | M10/150X150 screw | 1 |
| 4 | Ø20ext.Ø10int x2 washer | 2 |
| 5 | Nylon protector | 2 |
| 6 | Aluminium metal arrowhead right hand | 1 |
| 7 | Aluminium metal arrowhead left hand | 1 |



THE USE OF CRASH PADS DO NOT GUARANTEE A FULL PROTECTION IN CASE OF ACCIDENT. MOTOPLASTIC-PUIG DECLINE ANY RESPONSIBILITY IN CASE OF MOTORCYCLE DAMAGE.