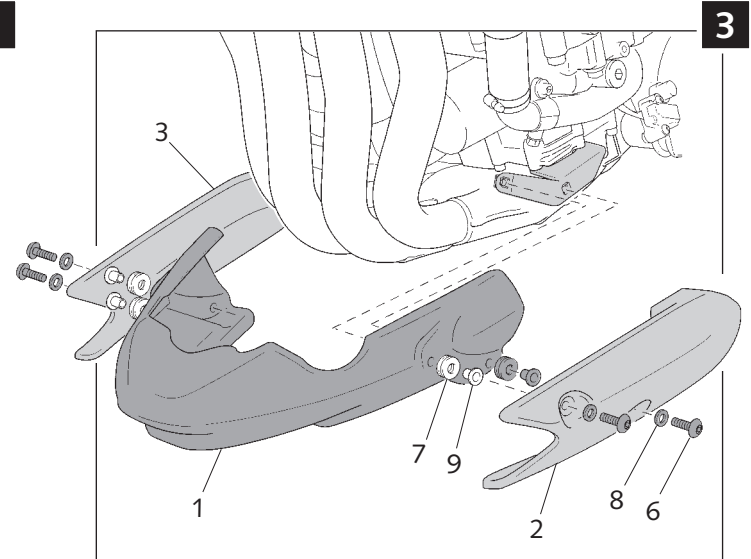
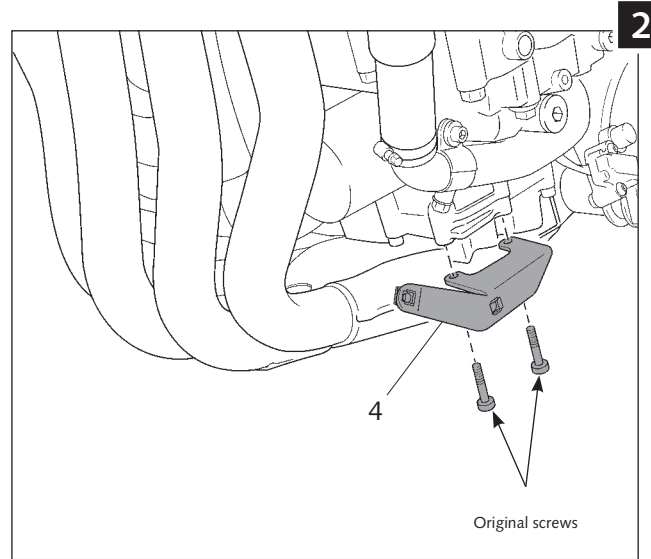
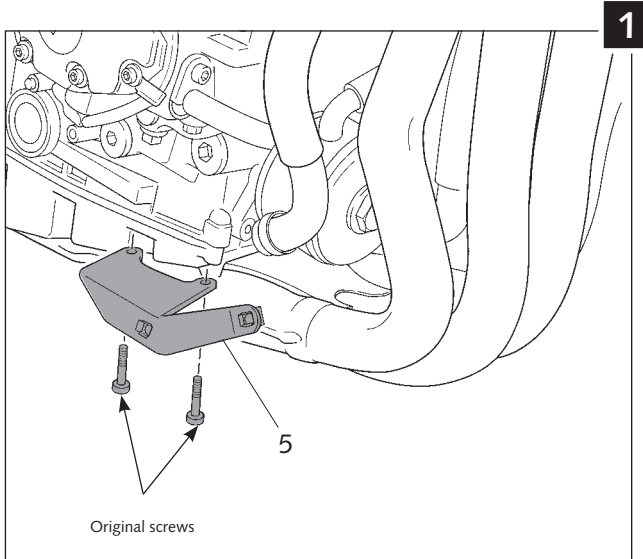


MOUNTING INSTRUCTIONS

ENGINE SPOILER ADAPTABLE TO **YAMAHA FZ1 / FZ1 FAZER**

Ref.: 4135N
(black colour)

Ref.: 4135C
(carbon look)



ID.	DESCRIPTION	QTY.
1	Engine spoiler front part	1
2	Engine spoiler left part	1
3	Engine spoiler right part	1
4	Left stainless steel support with an inside M6 nut	1
5	Right stainless steel support with an inside M6 nut	1
6	M6x20 DIN 1001 allen screw	4
7	Ø9Ø11Ø18 well nut (supplied already mounted on the piece n°1)	4
8	Nylon washer Ø6	4
9	Metal arrowhead with washer (supplied already mounted on the piece n°1)	4