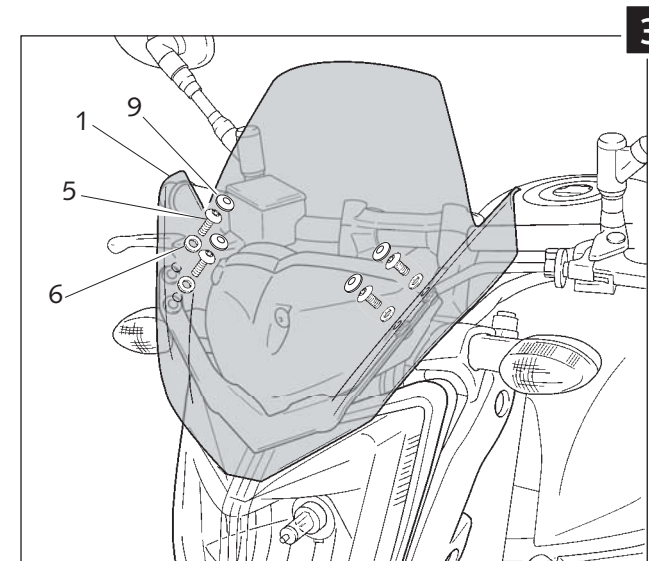
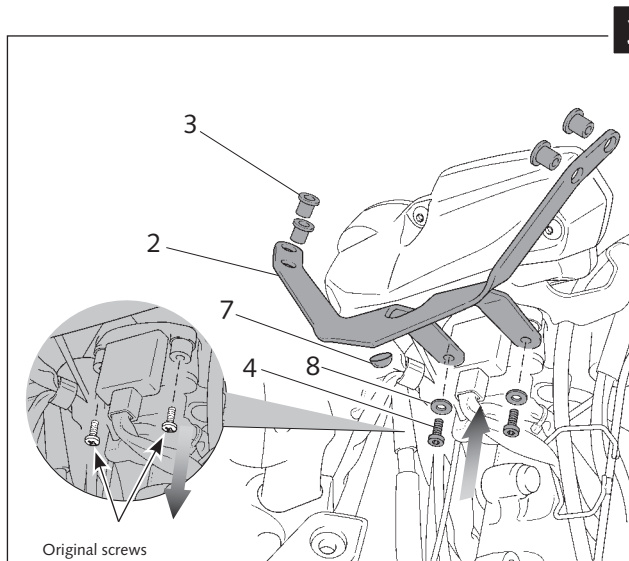
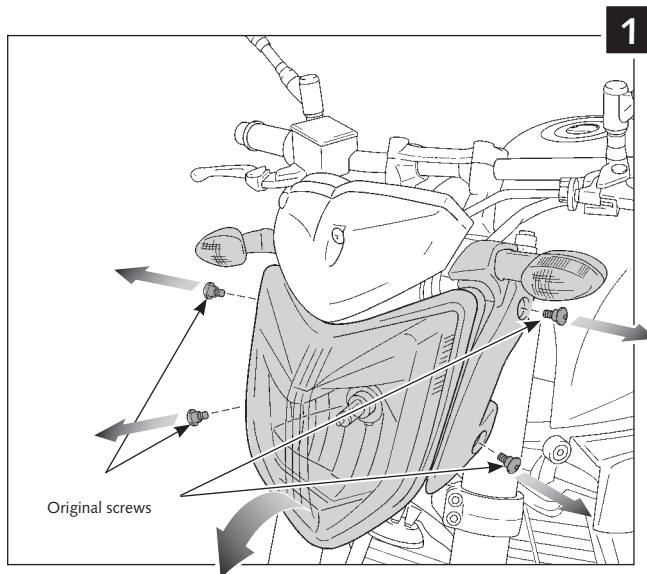
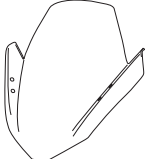










MOUNTING INSTRUCTIONS

WINDSHIELD ADAPTABLE TO
YAMAHA FZ1 /ABS 06'-15'

Ref.: 4119



ID.		DESCRIPTION	QTY.
1		Screen	1
2		Bracket	1
3		M5 nut incorporated well nut	4
4		M5x20 DIN912 allen screw	2
5		M5x16 ISO 7380 screw	4
6		Nylon washer Ø5	4
7		Silicone delimiter Ø6x7,9 (supplied already mounted on the piece n°2)	1
8		Metal washer Øouter15 x Øinner5,5x1	2
9		M5 DIN7380 Screw cap (supplied already mounted on the piece n°2)	4