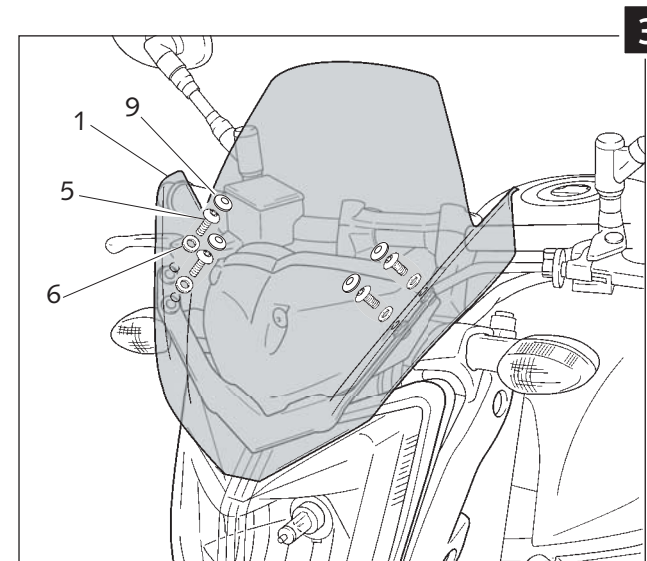
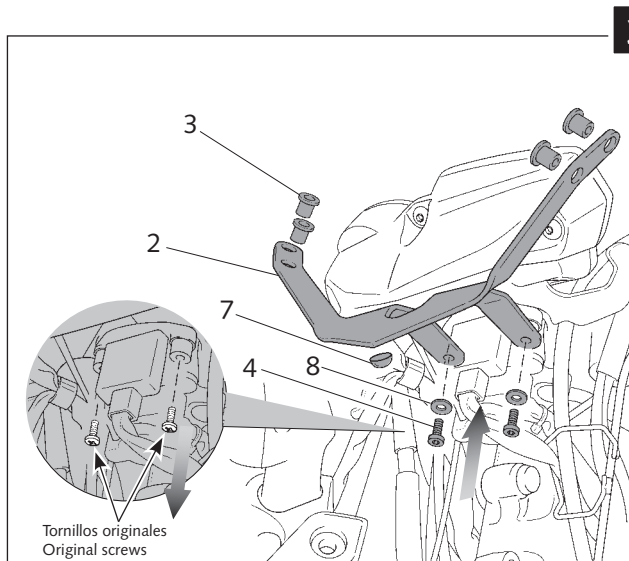
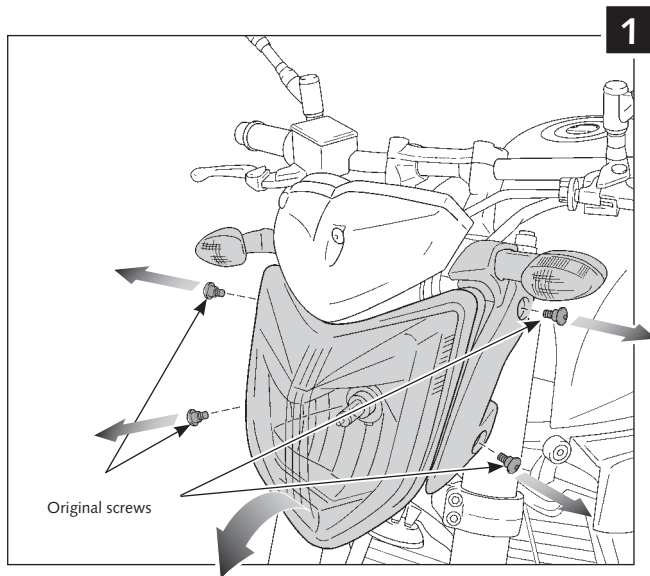


WINDSHIELD ADAPTABLE TO
YAMAHA FZ1 /ABS 06'-15'

Ref.: 4119



ID.		DESCRIPTION	QTY.
1		Screen	1
2		Bracket	1
3		M5 nut incorporated well nut	4
4		M5x20 DIN912 allen screw	2
5		M5x16 ISO 7380 screw	4
6		Nylon washer Ø5	4
7		Silicone delimiter Ø6x7,9 (supplied already mounted on the piece nº2)	1
8		Metal washer Øouter15 x Øinner5,5x1	2
9		M5 DIN7380 Screw cap (supplied already mounted on the piece nº2)	4

TIPS FOR A CORRECT WINDSCREEN ASSEMBLY

Due to storage and transport processes of the windscreens, which are subjected to positions and temperature changes out of our control, this may produce small deformations on the material causing some difficulties on the mounting process. It is recommended to:

- 1- Place the screws on one side without tighten all the way.
- 2- Stretch the windscreen to the other side (see Fig. 1). The flexibility of the material allows this stretch with no risk of breaking or cracking.
- 3- Place the screws without tightening all the way.
- 4- Tighten progressively all the screws.

