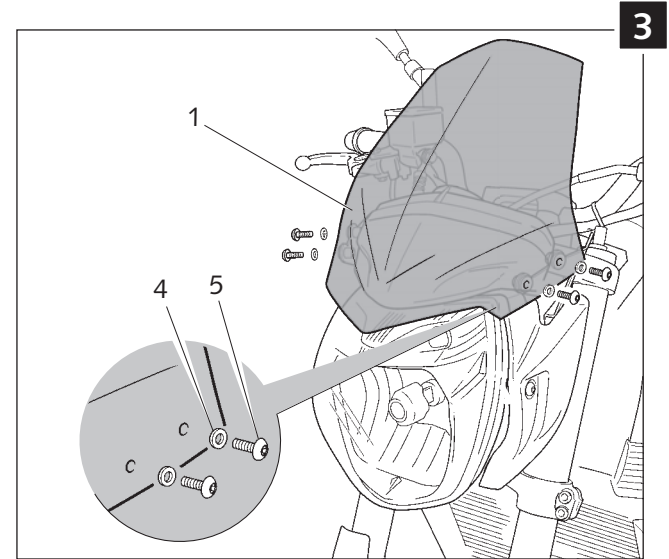
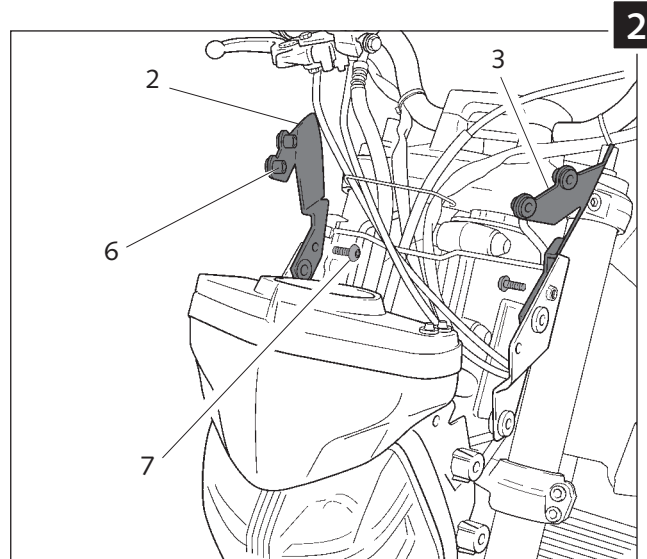
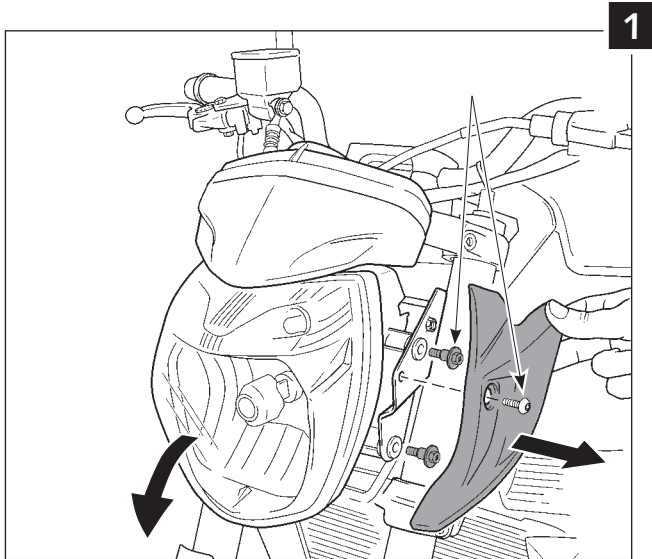


MOUNTING INSTRUCTIONS

WINDSHIELD ADAPTABLE TO  
 SUZUKI GSR600 06'-11'

Ref.: 4117



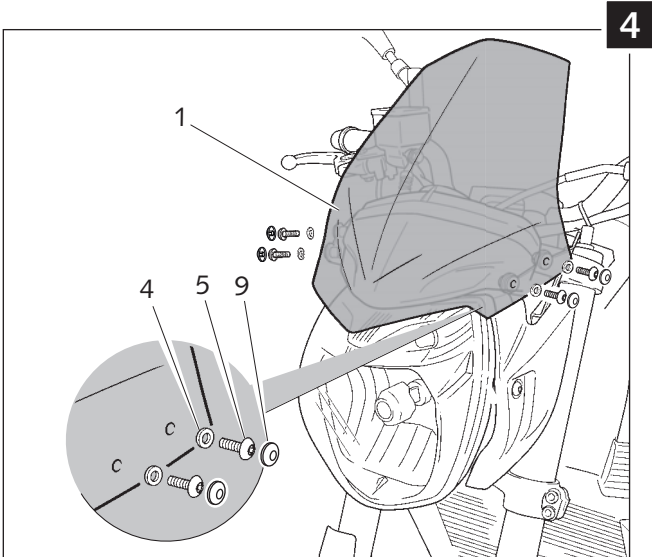
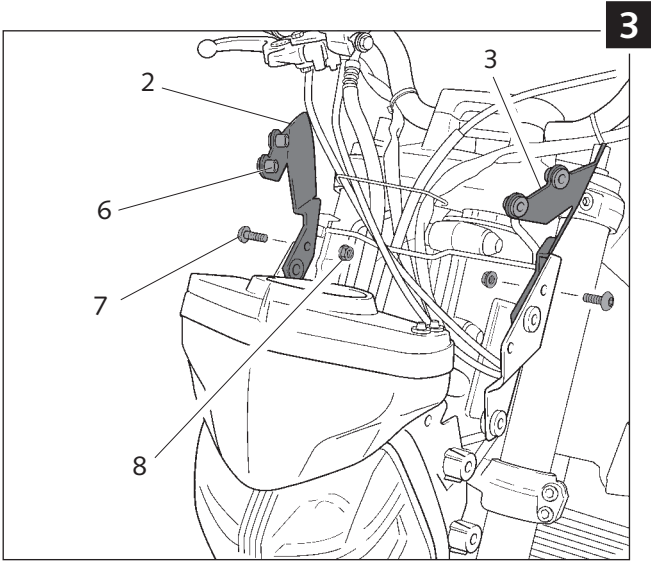
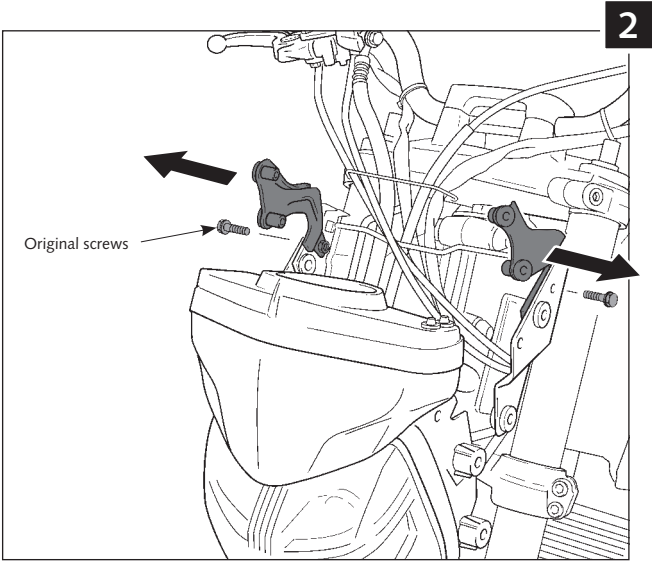
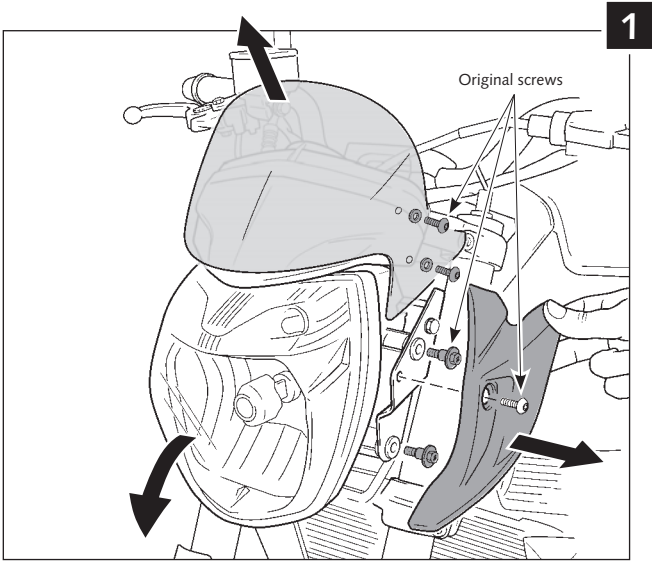
ID.		DESCRIPTION	QTY.
1		Screen	1
2		Right bracket	1
3		Left bracket	1
4		Nylon washer Ø6 x Ø11 x 1	4
5		Allen screw M5x16 ISO 7380	4
6		M5 nut incorporated well nut	4
7		Allen screw M6x10 ISO 7380	

**MOUNTING INSTRUCTIONS**

**Mod. 2008 - 2010**

**WINDSHIELD ADAPTABLE TO SUZUKI GSR**

**Ref.: 4117**



ID.		DESCRIPTION	QTY.
1		Screen	1
2		Right bracket	1
3		Left bracket	1
4		Nylon washer Ø6 x Ø11 x 1	4
5		Allen screw M5x16 ISO 7380	4
6		M5 nut incorporated well nut	4
7		Allen screw M6x10 ISO 7380	2
8		Special M6 nut	2
9		M5 ISO 7380 Screw cap	4