

CRASH PADS FOR SUZUKI GSXR600/750 06'
REF:4066



INSTRUCTIONS TO ASSEMBLE

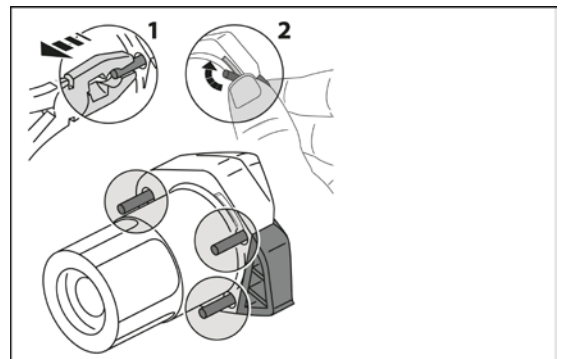
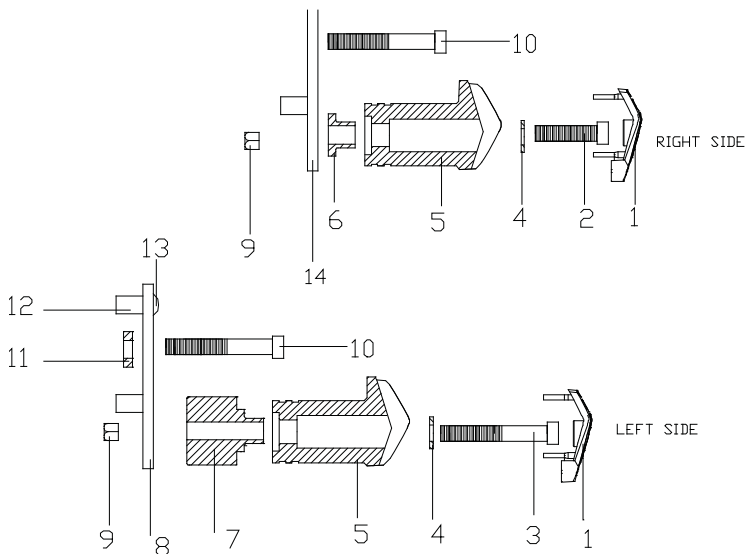
1. Remove the chassis fasteners marked on the picture .
2. Mount the protectors on each own side following the figure below, using the fasteners supplied.
3. Once pressed, place the caps (1).



SUPPORT POINT

MATERIAL SUPPLIED

POSITION	DESCRIPTION	QUANTITY
1	Plastic caps	2
2	M10/150X35 fastener	1
3	M10/150x65 fastener	1
4	Ø20ext.Ø10int x2 washer	2
5	Nylon protector 85mm	2
6	Aluminium metal arrowhead right hand side	1
7	Aluminium metal arrowhead left hand side	1
8	Metal support left hand side	1
9	M10/150 locknut DIN982	2
10	M10/125x60 fastener	2
11	Aluminium metal arrowhead	1
12	Aluminium metal arrowhead	1
13	M6X20 DIN1001	1
14	Metal support right hand side	1



THE USE OF CRASH PADS DO NOT GUARANTEE A FULL PROTECTION IN CASE OF ACCIDENT. MOTOPLASTIC-PUIG DECLINE ANY RESPONSIBILITY IN CASE OF MOTORCYCLE DAMAGE.