

CRASH PADS FOR YAMAHA R6 06'
REF:4064



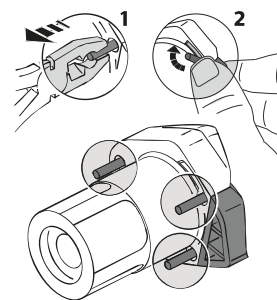
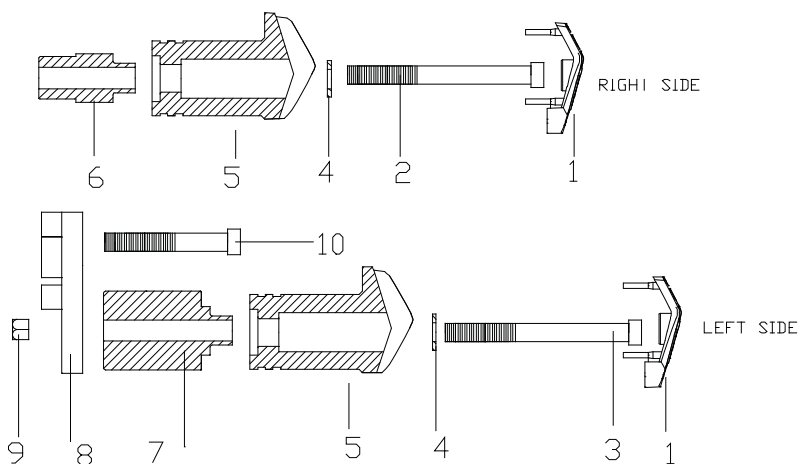
INSTRUCTIONS TO ASSEMBLE



SUPPORT POINT

MATERIAL SUPPLIED

POSITION	DESCRIPTION	QUANTITY
1	Plastic lids	2
2	M10/125x90 screw	1
3	M10/150x90 screw	1
4	Ø20ext.Ø10int x2 washer	2
5	Nylon protector	2
6	Aluminium metal arrowhead right hand side	1
7	Aluminium metal arrowhead left hand side	1
8	Metal support	1
9	M10/150 nut "autoblock" DIN982	1
10	M10/125x60 screw	1



THE USE OF CRASH PADS DO NOT GUARANTEE A FULL PROTECTION IN CASE OF ACCIDENT. MOTOPLASTIC-PUIG DECLINE ANY RESPONSIBILITY IN CASE OF MOTORCYCLE DAMAGE.