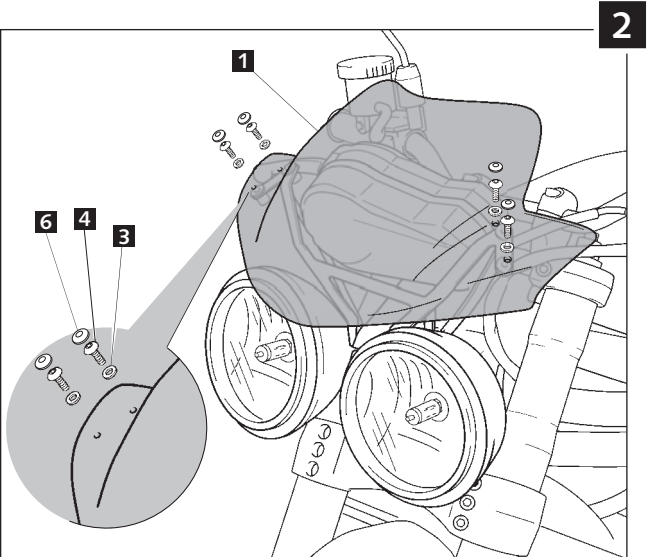
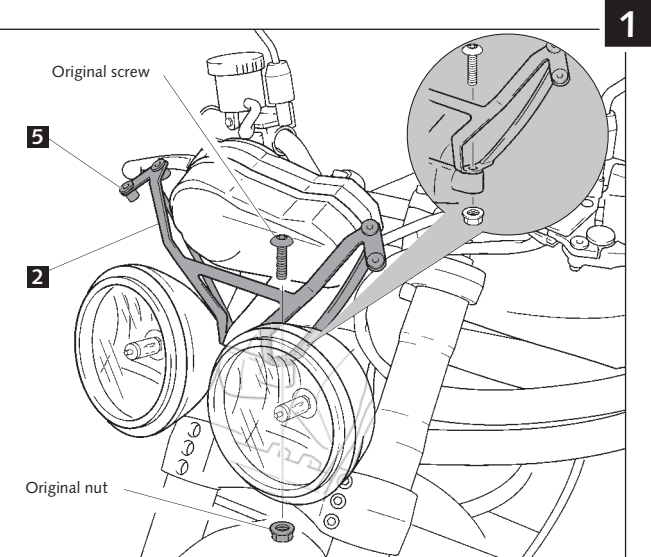


MOUNTING INSTRUCTIONS

WINDSHIELD ADAPTABLE TO **TRIUMPH**
SPEED TRIPLE '05-'10-STREET TRIPLE '07-'10/R 08-'10'

Ref.: 3930



ID.		DESCRIPTION	QTY.
1		Screen	1
2		Bracket	1
3		Nylon washer Ø6 x Ø11 x 1	4
4		Allen screw M5x16 ISO 7380	4
5		M5 nut incorporated well nut	4
6		M5 ISO 7380 screw cap	(