

# INDIAN FTR 1200/S '19-

## MOUNTING INSTRUCTIONS

REF 3834

**WINDSHIELD NAKED NEW GENERATION SPORT**



1 Person



15 min



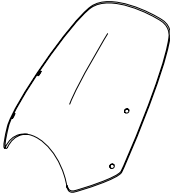
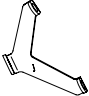
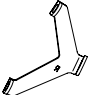
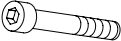




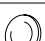
EASY



ALLEN



N° 3  
N° 6

ID.	PART	DESCRIPTION	QTY.	REF.:
1		SPORT screen	1	3834W/H/N/FM3
2		Left support	1	SOPOR2P1-L-3834
3		Right support	1	SOPOR2P1-R-3834
4		M8X55 DIN912 allen screw	2	TORNI-D912--631
5		Ø8,5xØ13x12 spacer	2	CASQUI-M----769
6		M5 silentblock	4	SILENBTM5-046/1
7		M5x1 nylon washer	4	ARNV00000000245
8		M5x16 Ø11 ISO 7380 allen screw	4	TORNI-I7380-493
9		M5 ISO 7380 screw cap	4	TAPON-----85

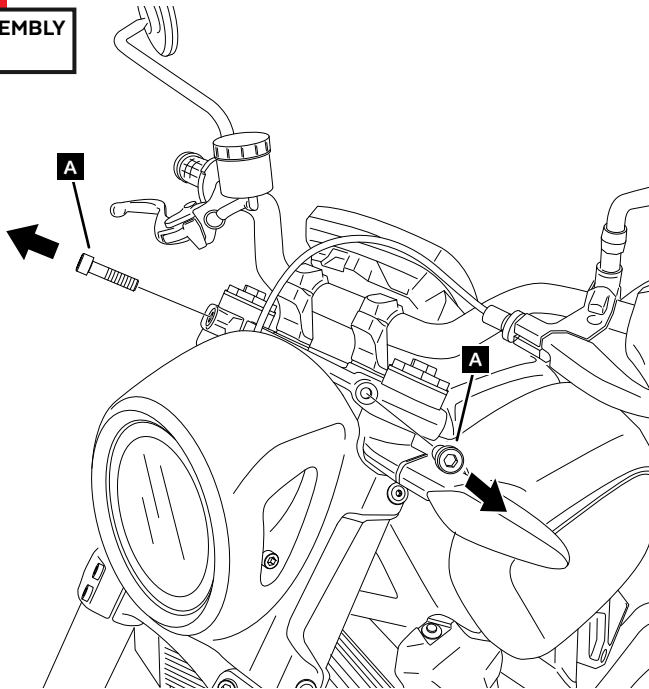
# INDIAN FTR 1200/S '19-

## MOUNTING INSTRUCTIONS

**1**

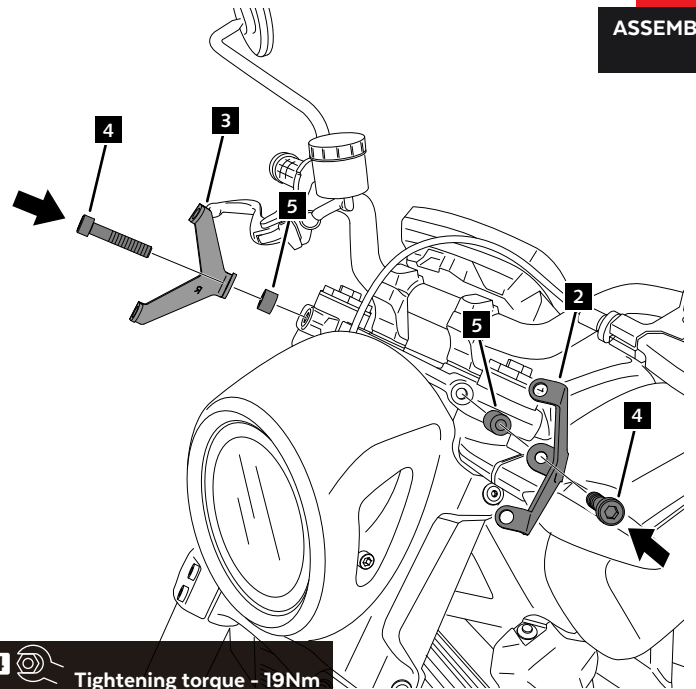
DISASSEMBLY

**A** Tornillería original



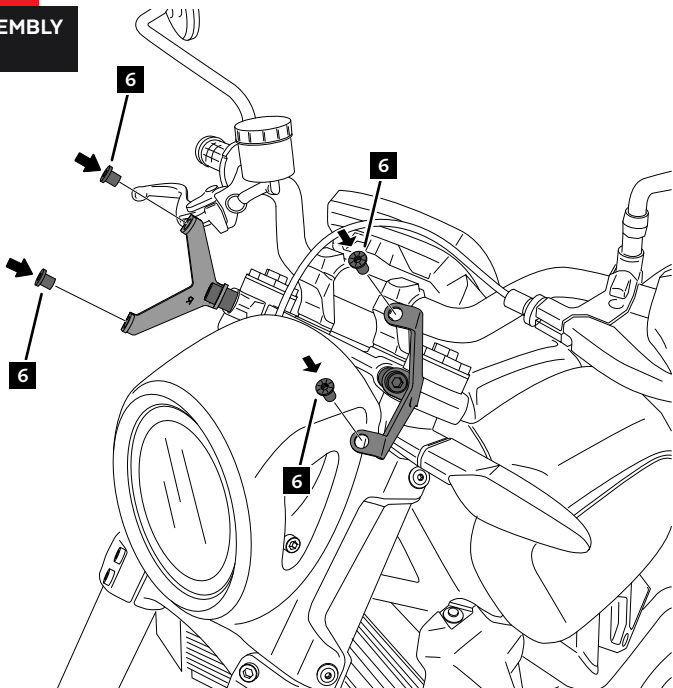
**2**

ASSEMBLY



**3**

ASSEMBLY



**4**

ASSEMBLY

