

# BMW F750GS'18-

REF 3768

TOURING SCREEN



1 Person



20 min

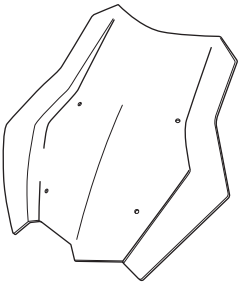
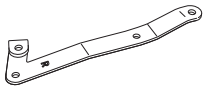
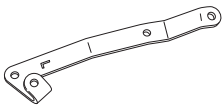




EASY



TORX T° 25

ALLEN N° 3

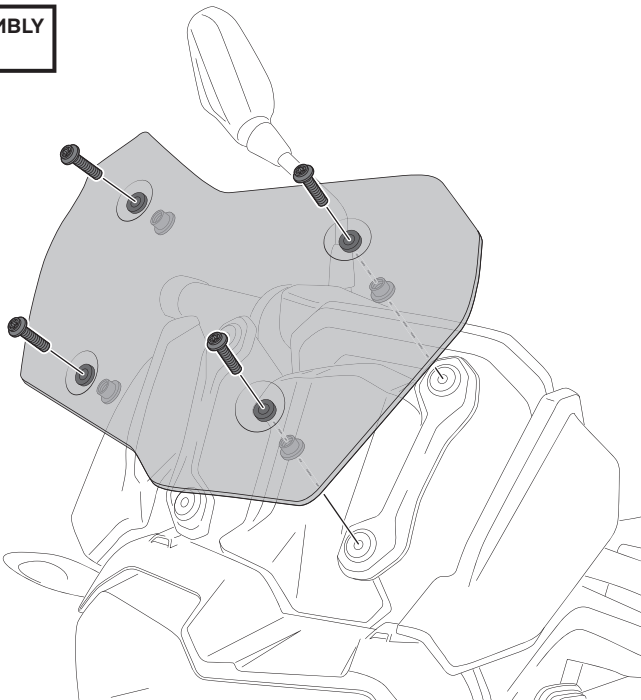
ID	PART	DESCRIPTION	QTY	REF
1		Touring screen	1	3769H/F/WM3
2		Right metal support ( R )	1	SOPOR2P3-R-9770
3		Left metal support ( L )	1	SOPOR2P3-L-9770
4		M5x16 Ø11 ISO 7380 Allen screw	4	TORNI-I7380-493
5		M5 ISO 7380 screw cap	4	TAPON-----85

# BMW F750GS'18-

## MOUNTING INSTRUCTIONS

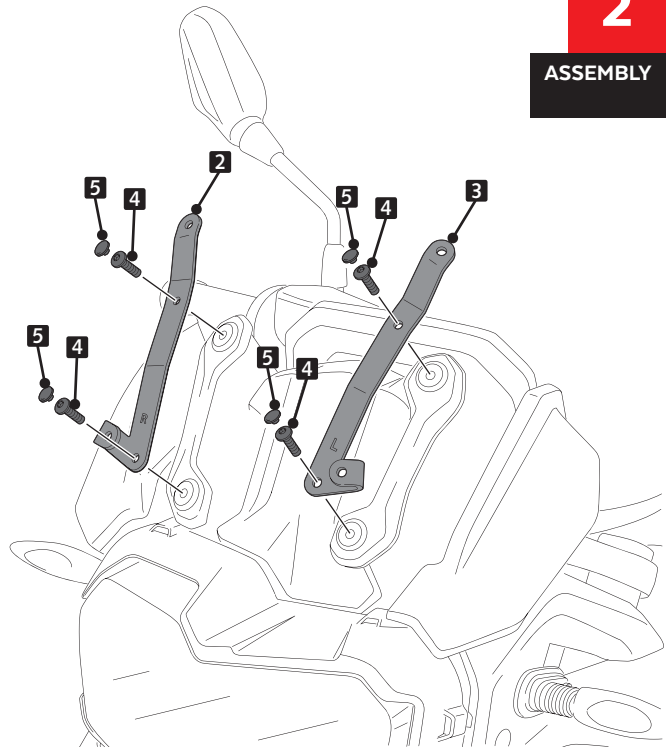
**1**

DISASSEMBLY



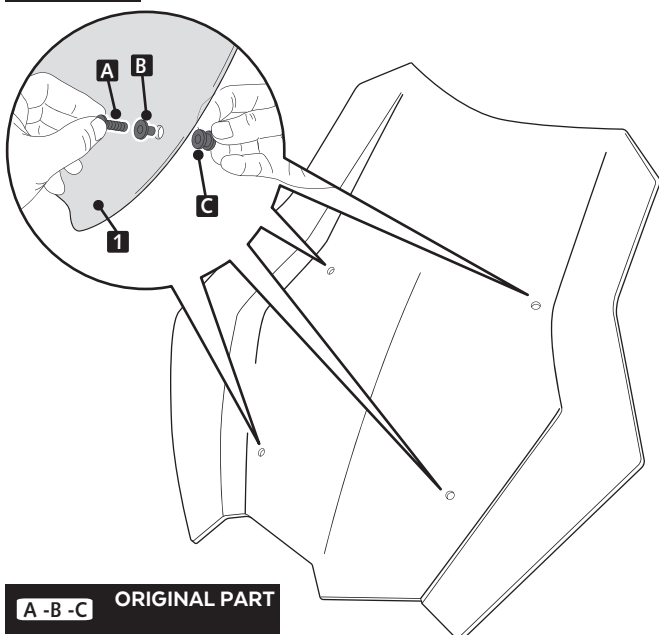
**2**

ASSEMBLY



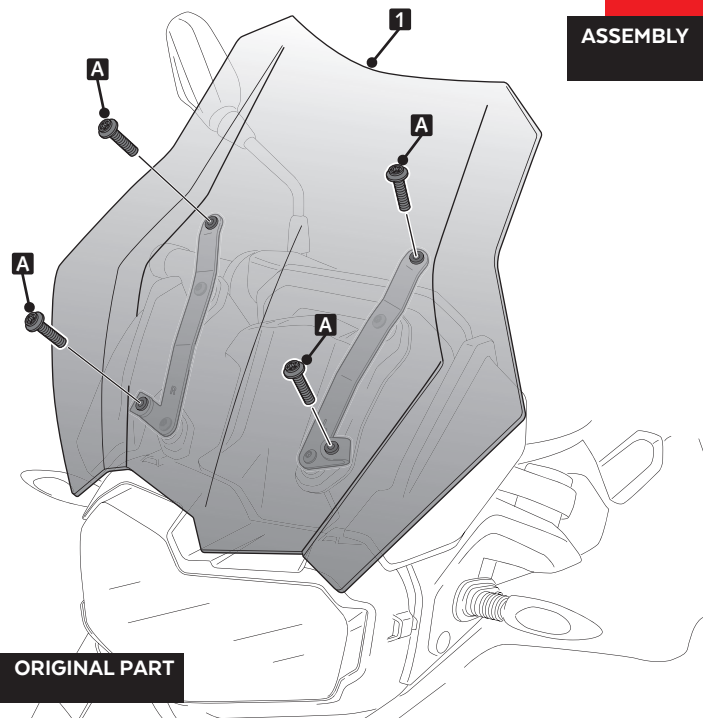
**3**

ASSEMBLY



**4**

ASSEMBLY



## VISERA MULTIREGULABLE MULTI-ADJUSTABLE VISOR



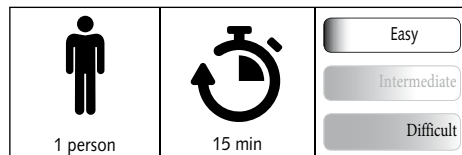
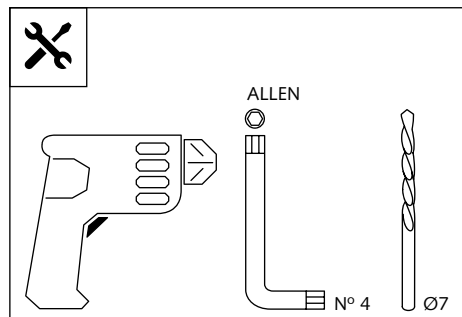
Ref.: 6007

Ref.: 5852

Ref.: 5853

Smoke

Clear



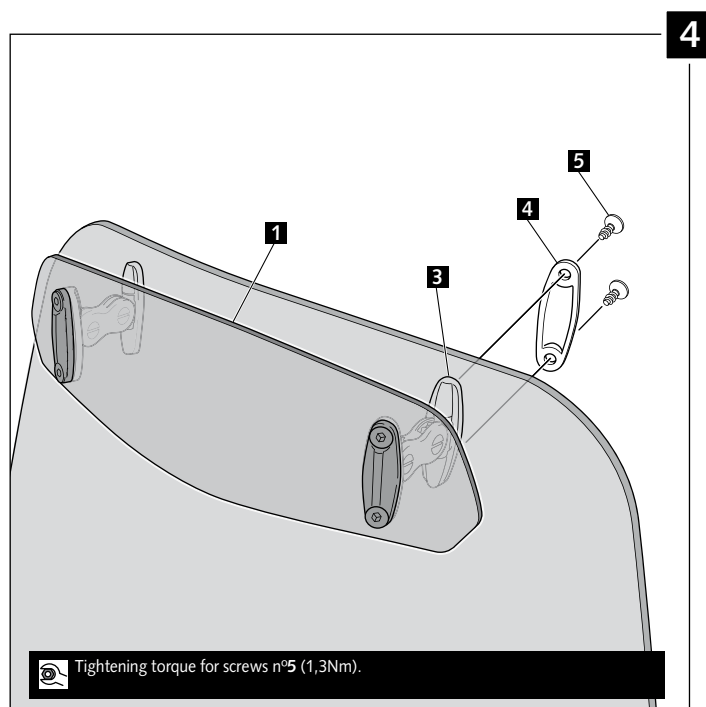
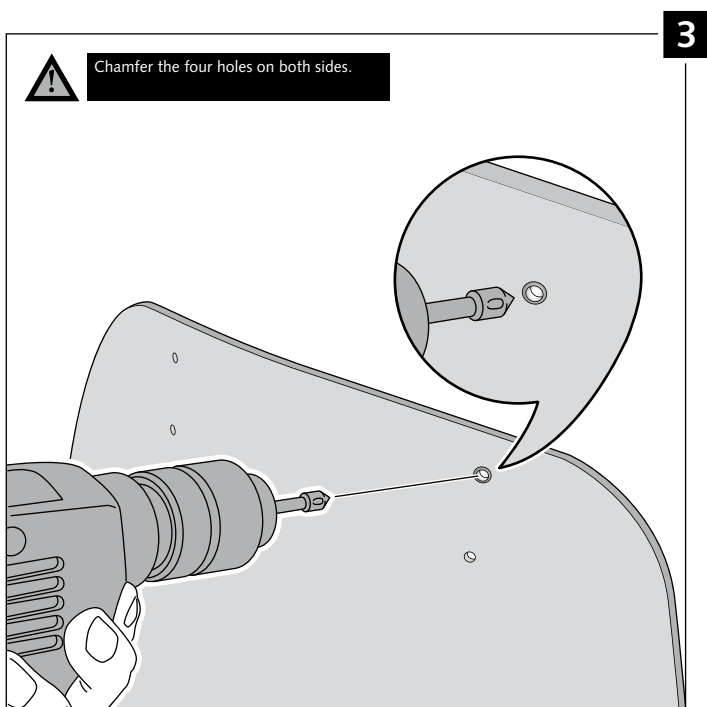
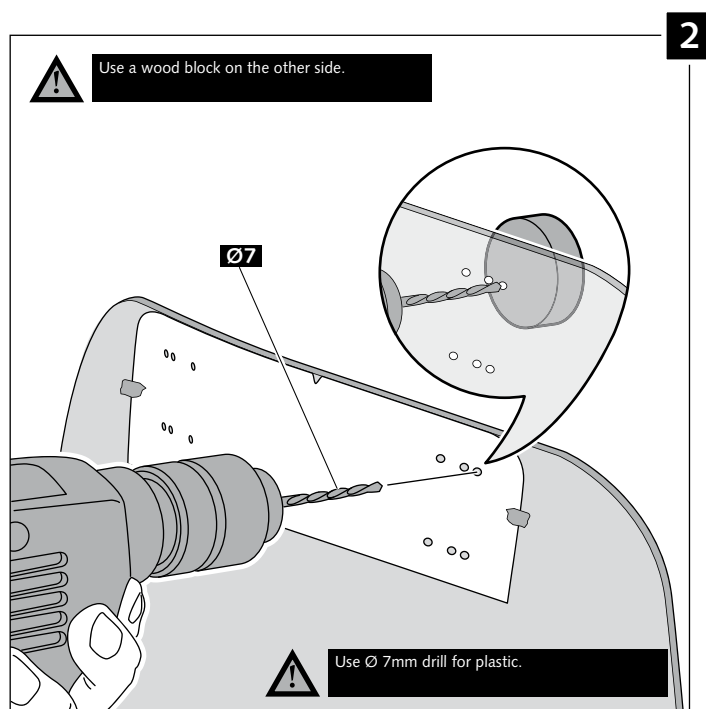
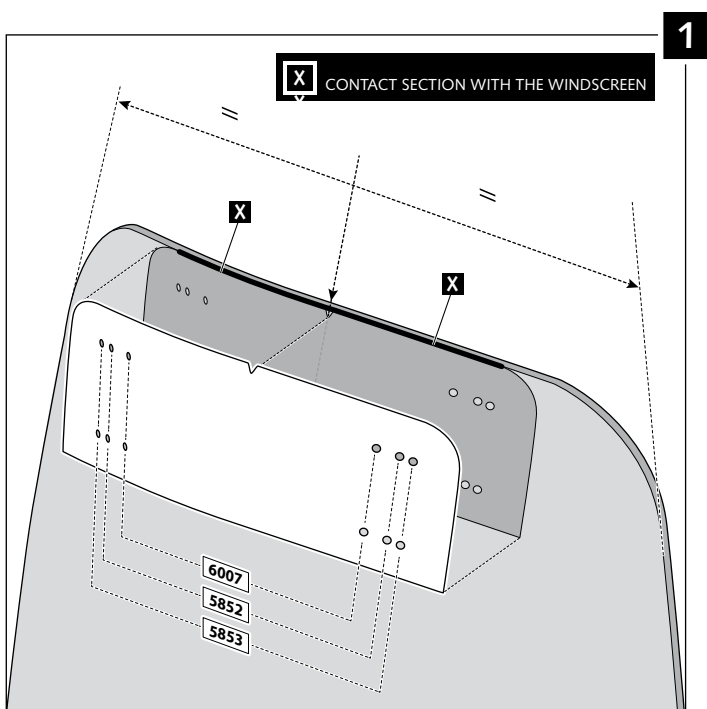
Note:  
If the visor is supplied along with the windscreen, the windscreen will come factory-drilled so no drilling is necessary.

ID.	PART	DESCRIPTION	QTY.
1		Visor	1
2		Template	1
3		Multi-adjustable mechanism	2
4		Cap	4
5		Plastic thread fastener M6x12	8

# MULTI-ADJUSTABLE VISOR

## MOUNTING INSTRUCTIONS

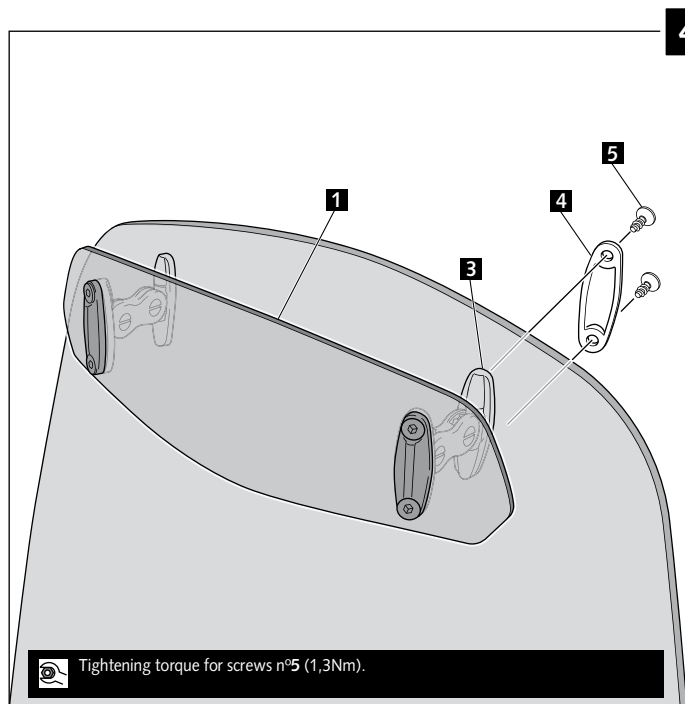
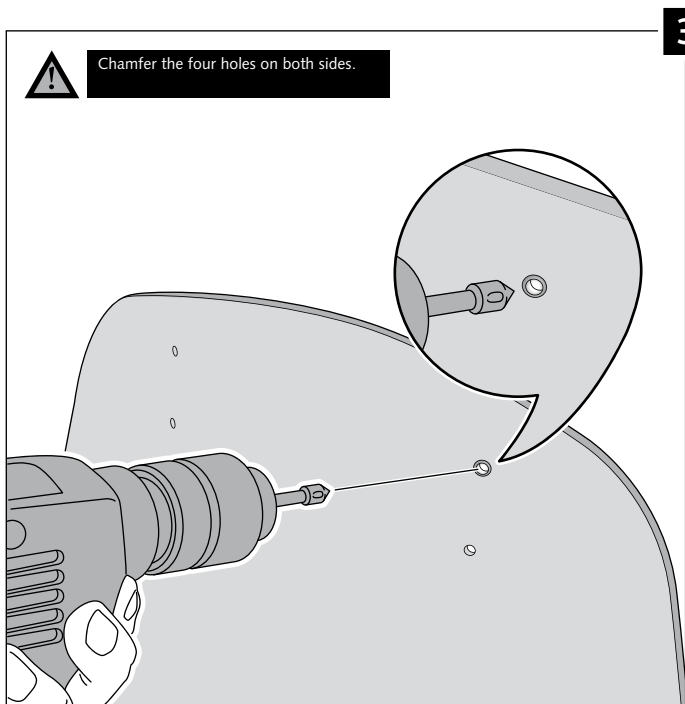
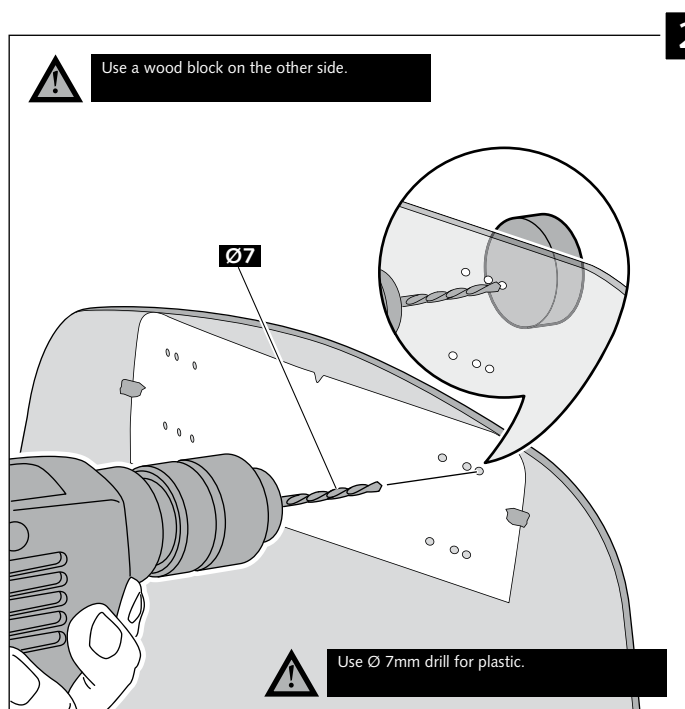
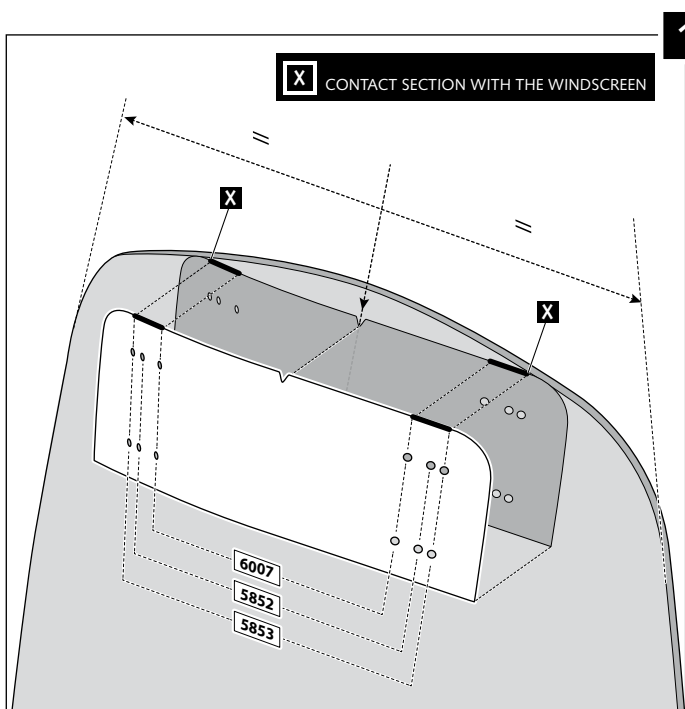
### TYPE A



## MULTI-ADJUSTABLE VISOR

### MOUNTING INSTRUCTIONS

#### TYPE B



# MULTI-ADJUSTABLE VISOR

## MOUNTING INSTRUCTIONS

### TYPE C

