

HONDA

CRF1100L AFRICA TWIN '20- / ADVENTURE SPORTS '20-

M O U N T I N G I N S T R U C T I O N S

REF 3825

MUDGUARD



1 Person



30 min



MEDIUM



ALLEN

Nº 3
Nº 4
Nº 5



PHILLIPS
SCREWDRIVER



ID	PART	DESCRIPTION	QTY	REF
1		Mudguard	1	3825J/CM3
2		Left Support	1	SOPOR2P2-L-3825
3		Right Support	1	SOPOR2P2-R-3825
4		M6x20 Ø14 ISO7380 Allen screw	4	TORNI-I7380-404
5		Ø15x Ø9 x7,5 bush with flange	2	SILENBGONE--064
6		Ø18x Ø9 xØ11 x7,5 silentblock	2	CASQUI-1A---324
7		Lock nut M6 (supplied assembled)	2	TUERCAJFM6--716
8		M6 ISO 7380 screw cap	3	TAPON-----86
9		Ø9 xØ6 x8mm silentblock	1	AROPASACABLES-3
10		Ø12xØ6,8x7,3 bush with flange	1	CASQUI-1A---750
11		M5x16 Ø11 ISO 7380 Allen screw	2	TORNI-I7380-493
12		M5 ISO 7380 screw cap	1	TAPON-----85
13		M5x20 Ø9 ISO 7380 Allen screw	2	TORNIAI7380-387
14		M6 nylon Washer	1	ARANDEPNVCN0246

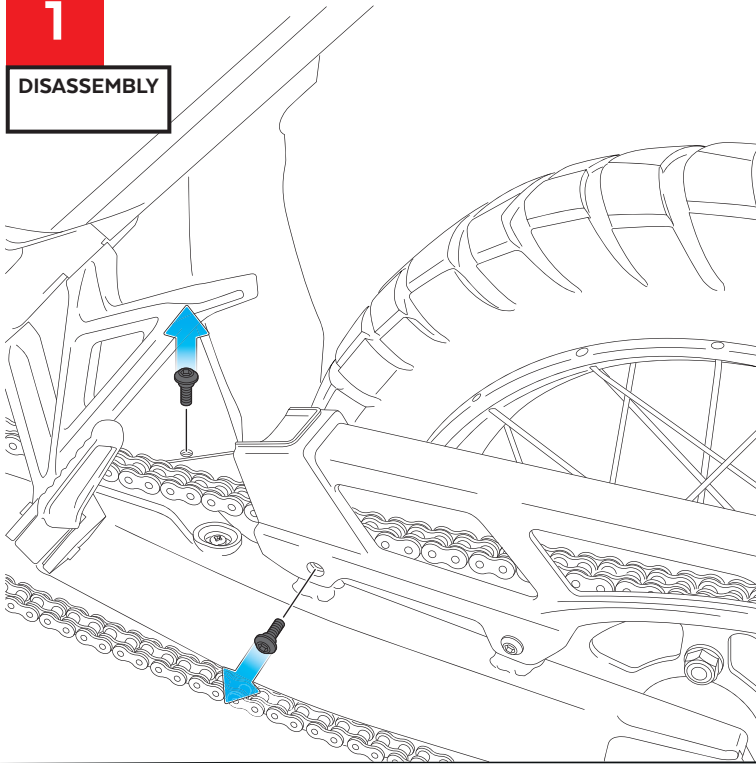
HONDA

CRF1100L AFRICA TWIN '20- / ADVENTURE SPORTS '20-

MOUNTING INSTRUCTIONS

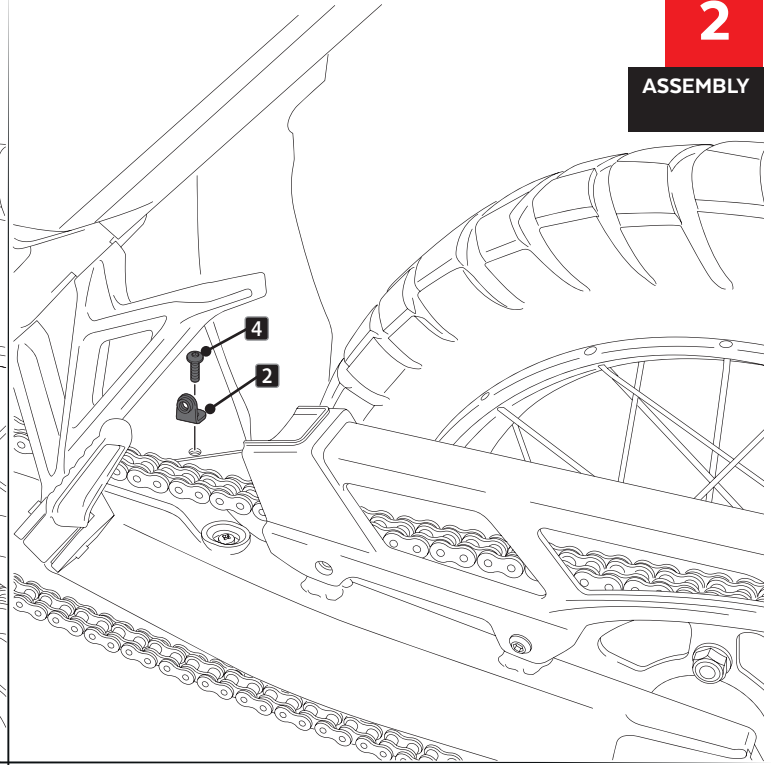
1

DISASSEMBLY



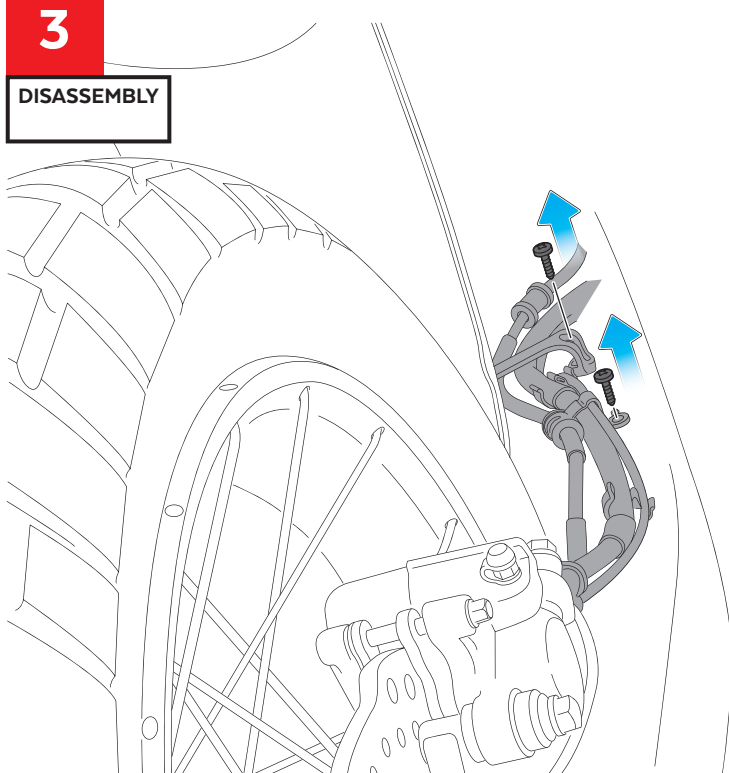
2

ASSEMBLY



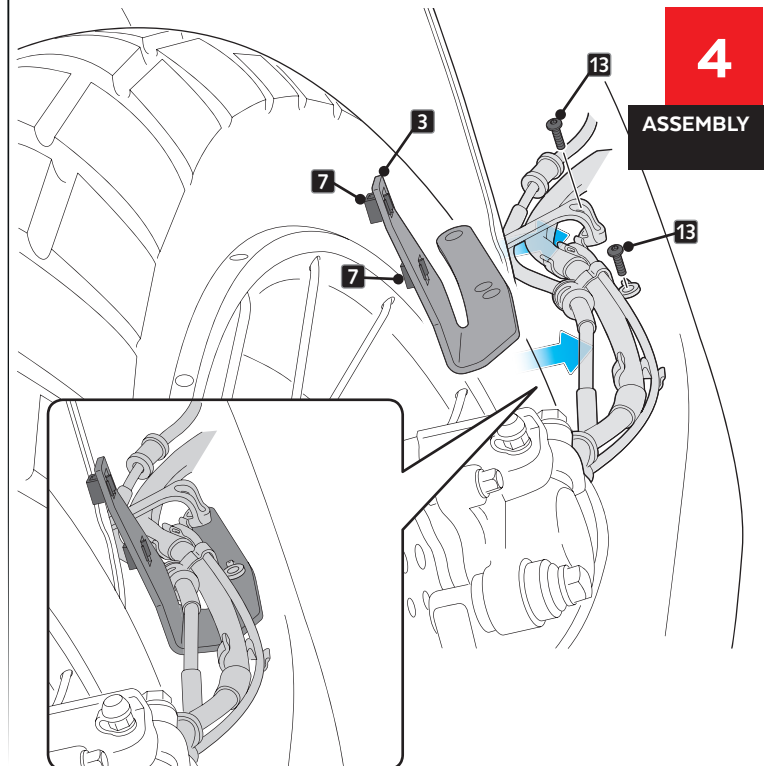
3

DISASSEMBLY



4

ASSEMBLY

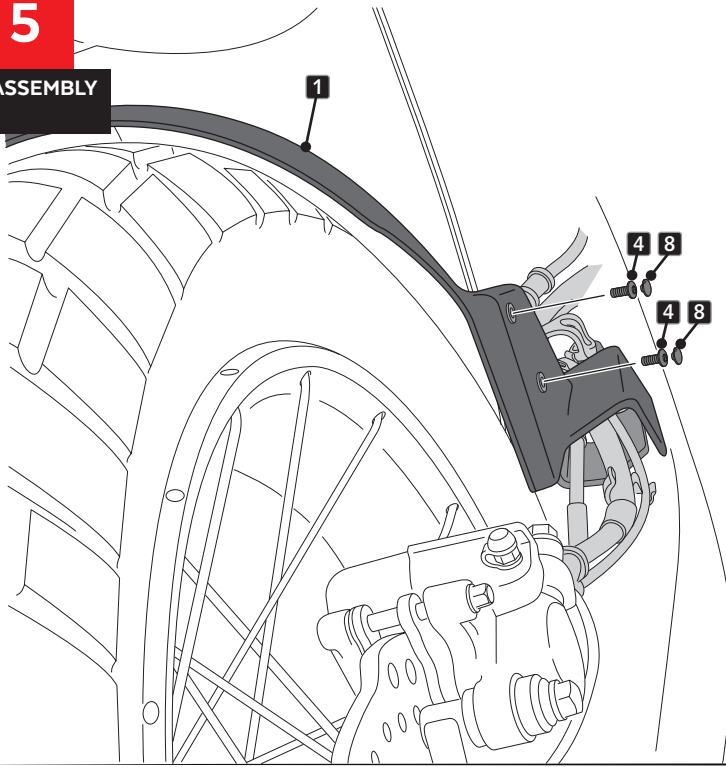


HONDA CRF1100L AFRICA TWIN '20- / ADVENTURE SPORTS '20-

MOUNTING INSTRUCTIONS

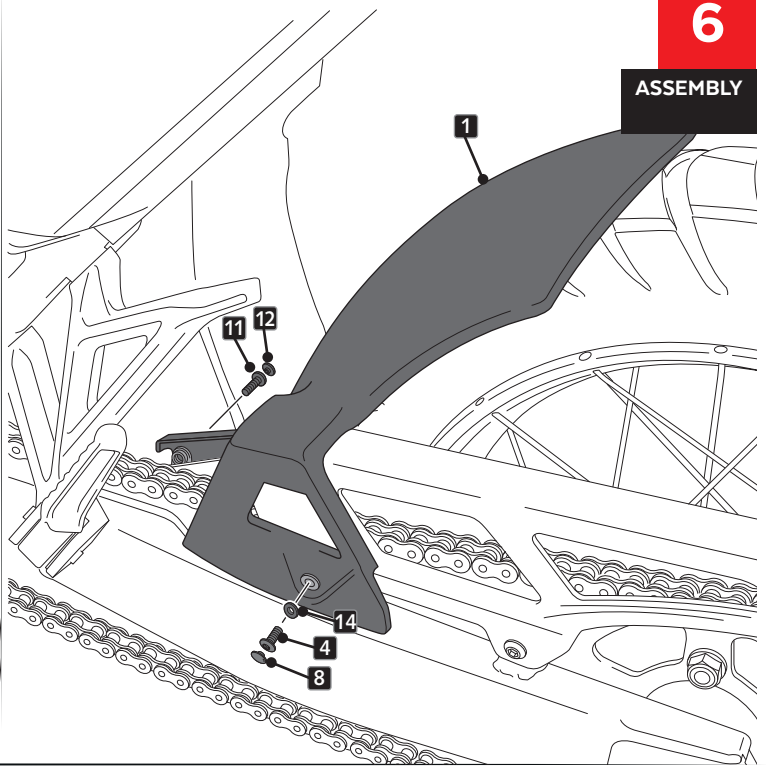
5

ASSEMBLY



6

ASSEMBLY



EXPLOTING

