

HONDA

CRF1100L AFRICA TWIN ADVENTURE SPORTS '20-

M O U N T I N G I N S T R U C T I O N S

REF 3823

FRONT DEFLECTORS



ALLEN

Nº 3
Nº 4
Nº 5



ID	PART	DESCRIPTION	QTY	REF
1		Right deflector	1	3823W/H/FM3
2		Left deflector	1	3823W/H/FM3
3		Right support (R)	1	SOPOR2P6-R-3823
4		Reft support (L)	1	SOPOR2P6-L-3823
5		Ø13x Ø8x 3,5 spacer	4	CASQUI-----775
6		M6x20 Ø14 ISO 7380 Allen screw	4	TORNI-I7380-404
7		M6 ISO 7380 screw cap	4	TAPON-----86
8		Ø4,5 x Ø11 x 2mm nylon washer	4	ARAND-EPDM--722
9		M5x11 Ø11 ISO 7380 Allen screw	4	TORNI-AI----520
10		M5 nylon washer	4	ARNV0000000245
11		M5 ISO 7380 screw cap	4	TAPON-----85
12		Ø8 x2 silicon spacer (Supplied already mounted on item 3-4)	2	ADHESI-GT-D8---

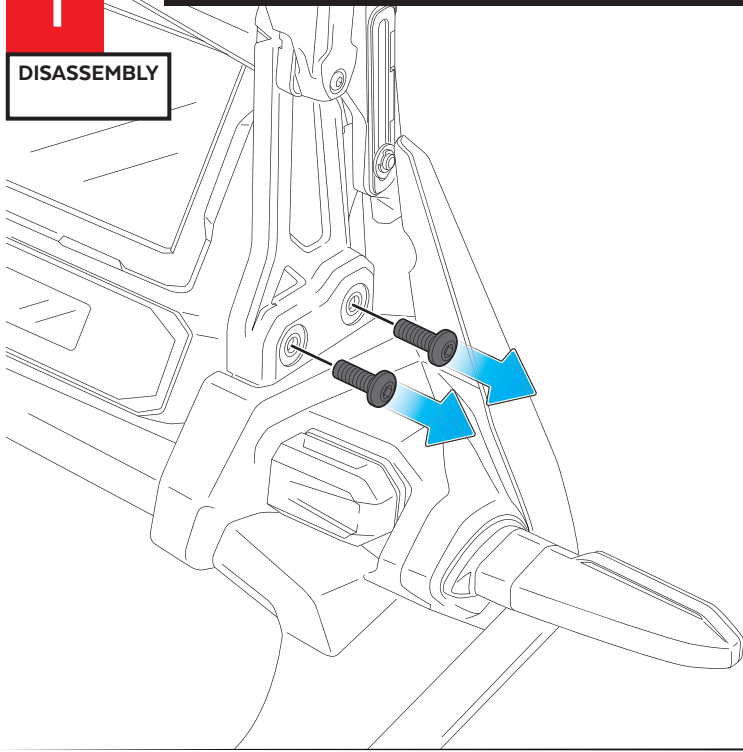
HONDA CRF1100L AFRICA TWIN ADVENTURE SPORTS '20-

MOUNTING INSTRUCTIONS

1

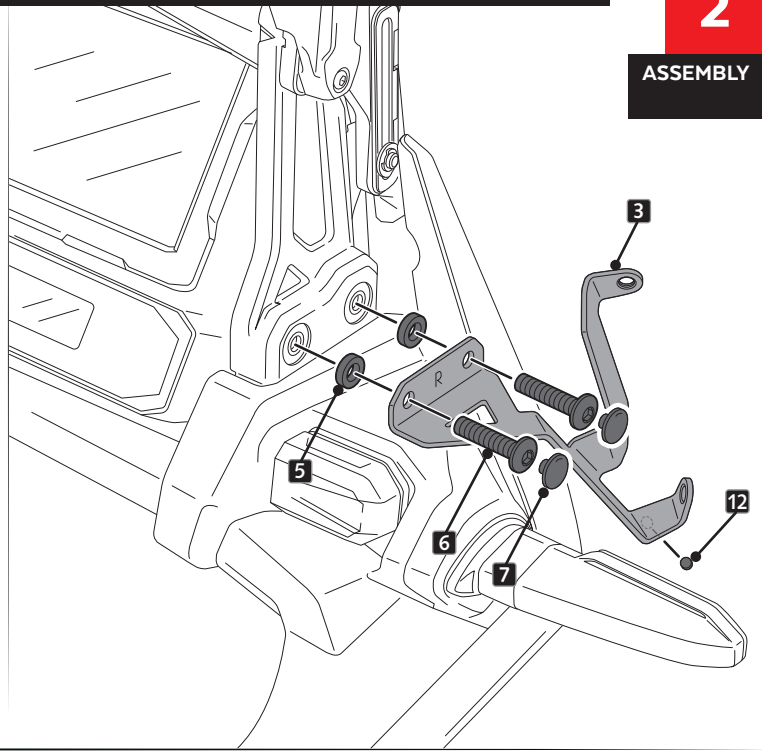
DISASSEMBLY

The right side assembly is shown as an example, so the same steps 1-2 can be performed for the left side assembly.



2

ASSEMBLY



3

ASSEMBLY

