

YAMAHA XV950R '14-

M O U N T I N G I N S T R U C T I O N S

REF 3813

ALUMINIUM FRONT PLATE

REF 3812

ABS FRONT PLATE



1 Person



15 min



EASY



10



ALLEN

Nº 3
Nº 6

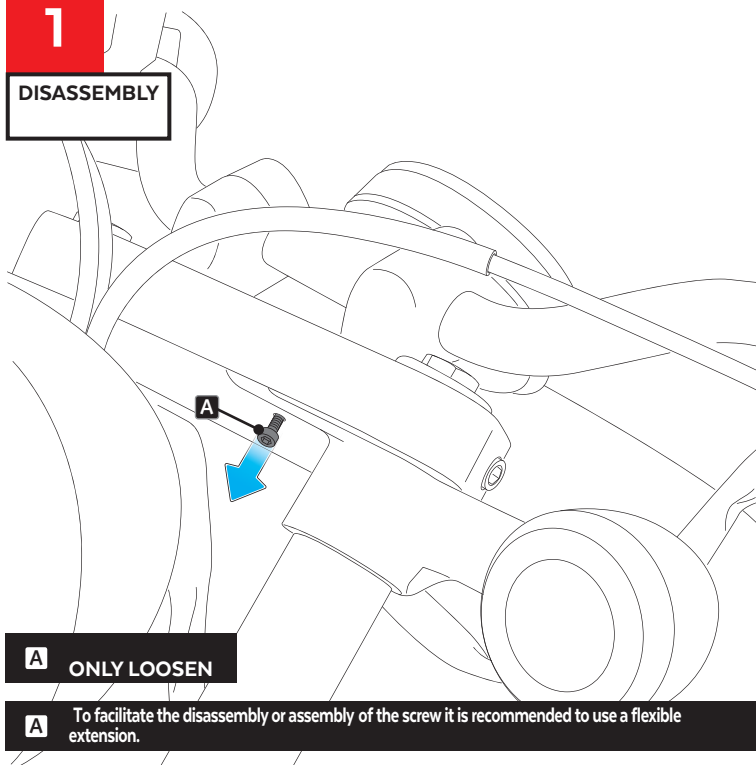
ID	PART	DESCRIPTION	QTY	REF
1		ABS front plate	1	10526J/C
		Aluminium front plate		9807P/N
2		Left support (L)	1	SOPOR2P4-L-3813
3		Right support (R)	1	SOPOR2P4-R-3813
4		M5 silentblock	2	SILENBTM5-046/1
5		M5x1 nylon washer	2	ARNV0000000245
6		M5x16 Ø11 ISO 7380 Allen screw (INOX)	2	TORNIAI7380-314
7		M5x16 Ø11 ISO 7380 Allen screw (BLACK)	2	TORNI-I7380-493
8		M5 screw cap	2	TAPON-----85
9		Ø8 x2 silicon spacers (supplied already mounted on items 2)	4	ADHESI-GT-D8---
10		Self-adhesive trim (length 190mm ,6,2 x2,6mm) *ONLY FOR ALUMINIUM FRONT PLATE (REF:9807)	1	PERFIL-PVC-1048
11		Stickers set	1	10535

YAMAHA XV950R '14-

MOUNTING INSTRUCTIONS

1

DISASSEMBLY

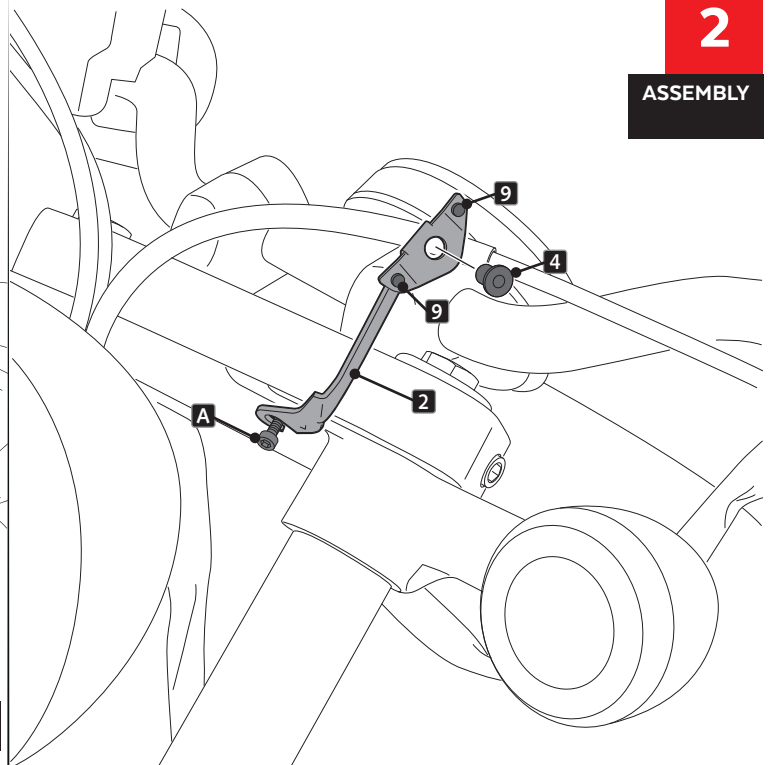


A ONLY LOOSEN

A To facilitate the disassembly or assembly of the screw it is recommended to use a flexible extension.

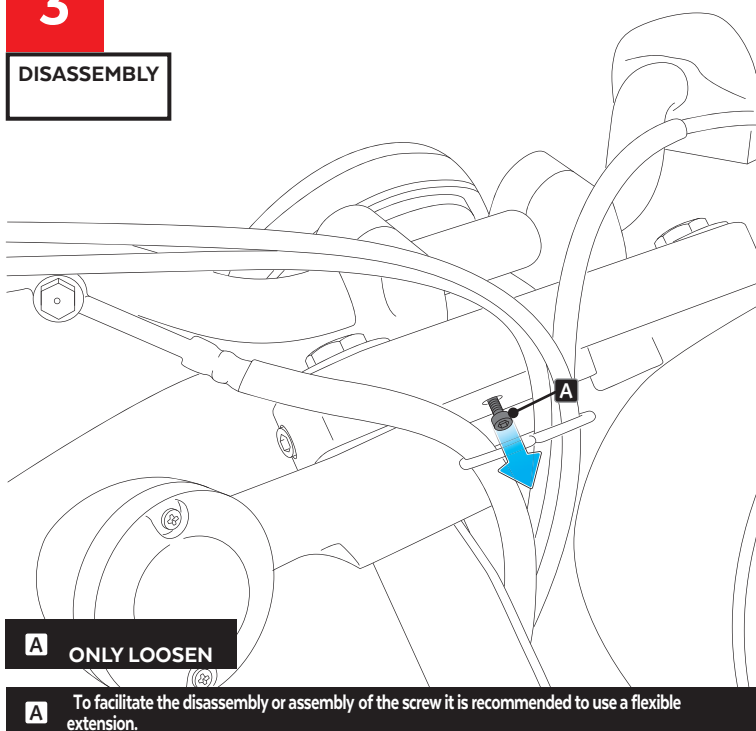
2

ASSEMBLY



3

DISASSEMBLY

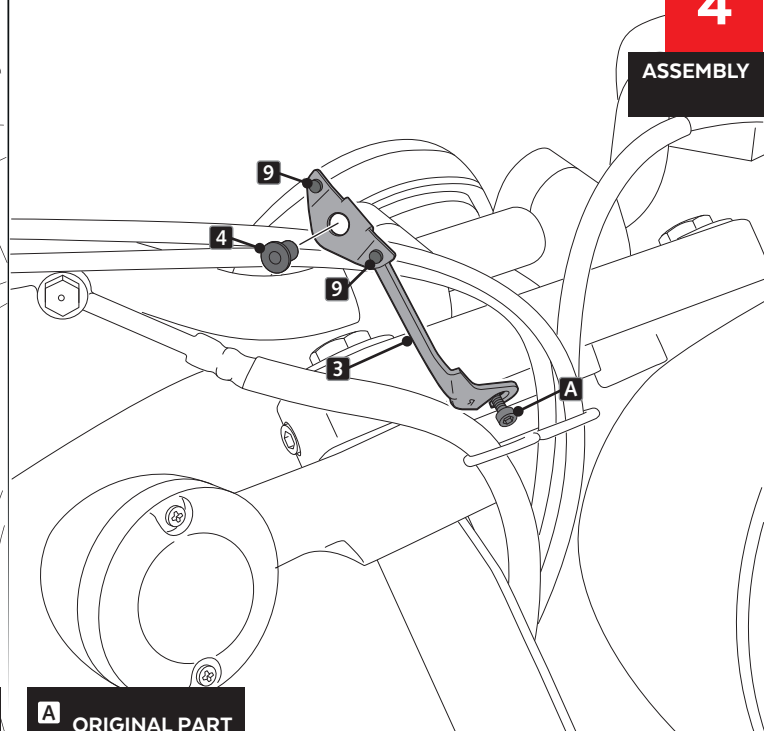


A ONLY LOOSEN

A To facilitate the disassembly or assembly of the screw it is recommended to use a flexible extension.

4

ASSEMBLY



A ORIGINAL PART

