

# YAMAHA TENERÉ 700 '19-

## M O U N T I N G I N S T R U C T I O N S

REF 3732

MANUAL REGULATION SYSTEM FOR WINDSHIELDS



1 Person



15 min



EASY



ALLEN

Nº 2,5  
Nº 3  
Nº 4  
Nº 5



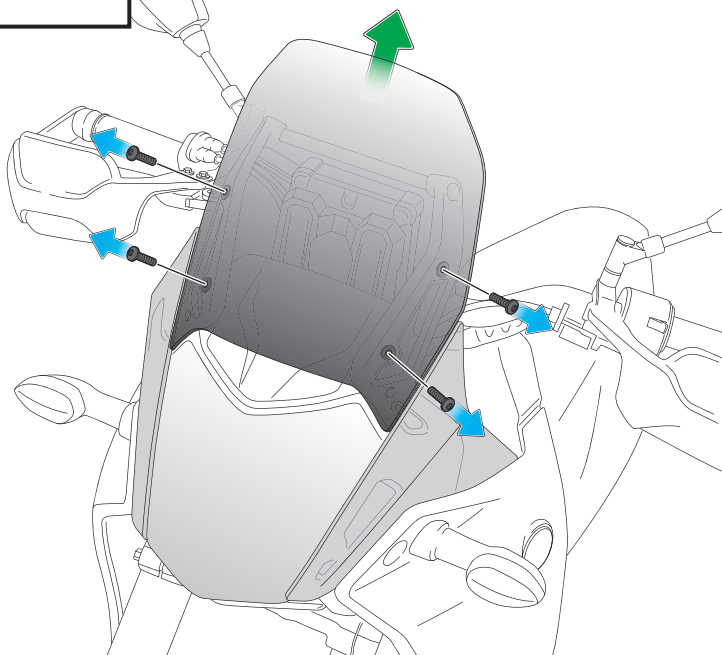
ID	PART	DESCRIPTION	QTY	REF
1		Rods	2	VARILL-MEM--722
2		Upper support	2	SOPOR12P9-U3732
3		Lower support	2	SOPOR12P9-L3732
4		Screen support	2	SOPOR12P9-S3732
5		Lever support	2	SOPOR12P9-P3732
6		Screen-lever support	2	SOPOR12P9PC3732
7		Upper bush (washer A)	2	CASQUI-----851
8		Lower bush (washer B)	2	CASQUI-----852
9		Ø4,3x Ø8 x2,5 spacer ( washer C)	2	CASQUI-----3732
10		Ø4x10mm Blind Rivet ( Black)	2	REMACHE-4X10---
11		M4x12 ISO7380 Allen screw	2	TORNI-I7380-800
12		M4x10 ISO7380 Allen screw	4	TORNI-I7380-645
13		M4 nut	2	TUERCAE985-0290
14		M4 nut cap	2	TAPON-----91
15		M4 DIN127/B Grower washer	4	ARAND-----854
16		M5x11 Ø11 ISO 7380 Allen screw	4	TORNI-AI----520
17		M5x1 nylon washer	4	ARNV0000000245
18		Ø4,5 x Ø11 x 2mm rubber washer	4	ARAND-EPDM--722
19		Ø6,5x Ø13 x8,5 spacer	2	CASQUI-----0298
20		M6x25 Ø14 ISO7380 Allen screw	2	TORNI-I7380-405

# YAMAHA TENERÉ 700 '19-

## MOUNTING INSTRUCTIONS

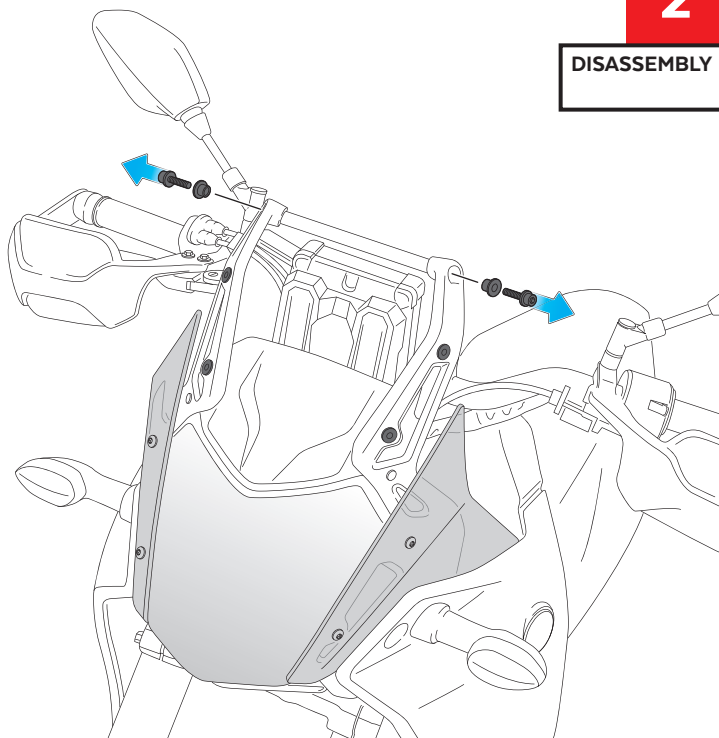
**1**

DISASSEMBLY



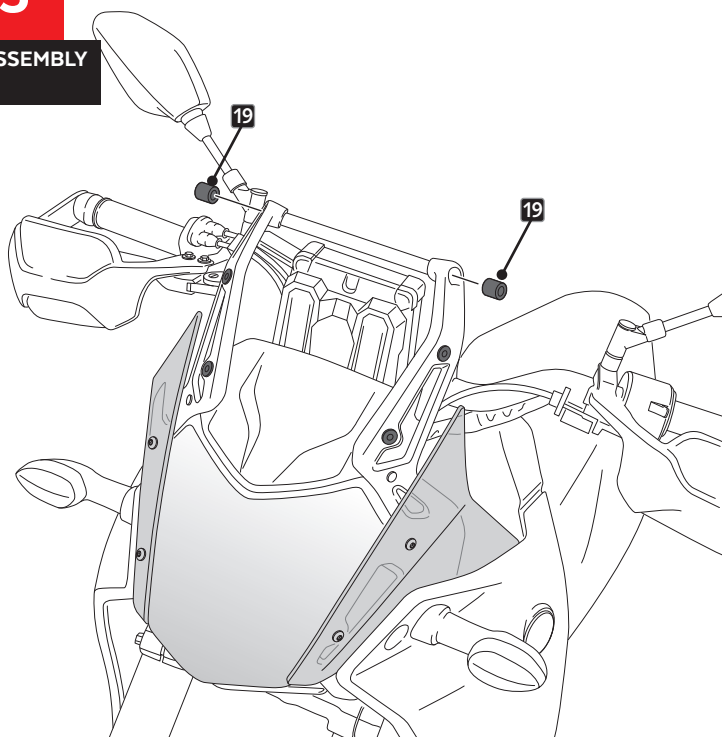
**2**

DISASSEMBLY



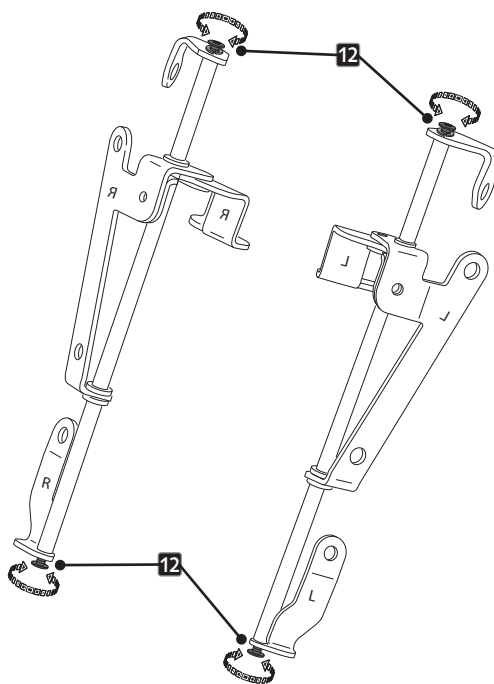
**3**

ASSEMBLY



**4**

ASSEMBLY



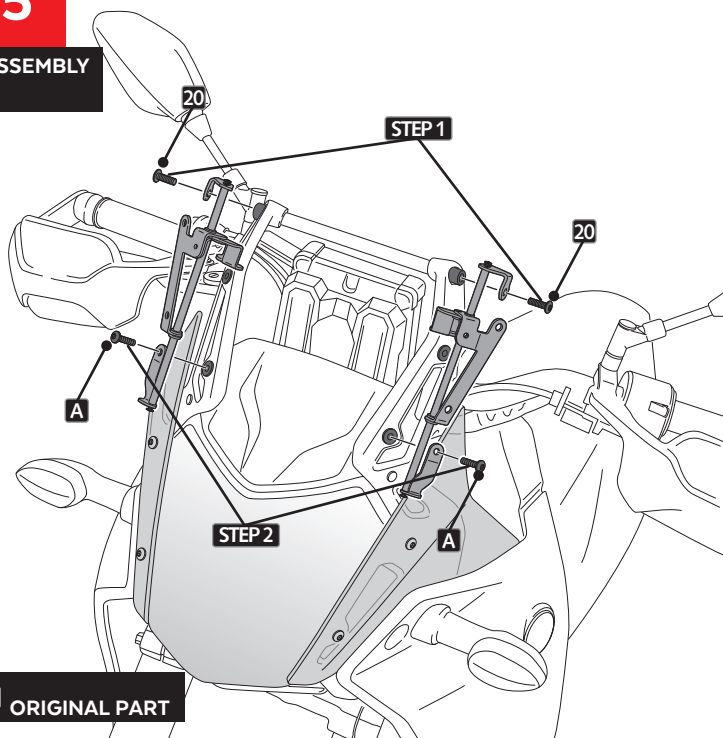
**ID-12** LOOSEN SCREWS

# YAMAHA TENERÉ 700 '19-

## MOUNTING INSTRUCTIONS

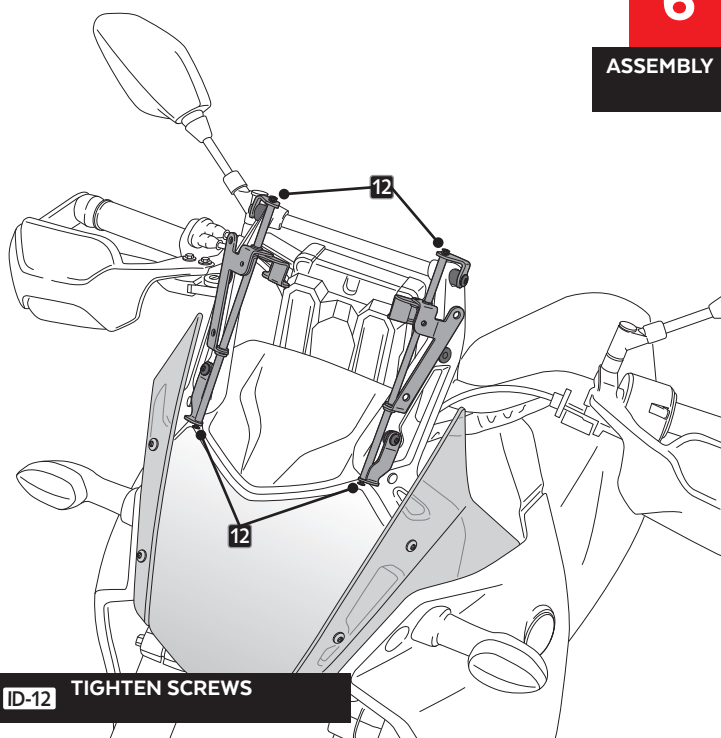
**5**

ASSEMBLY



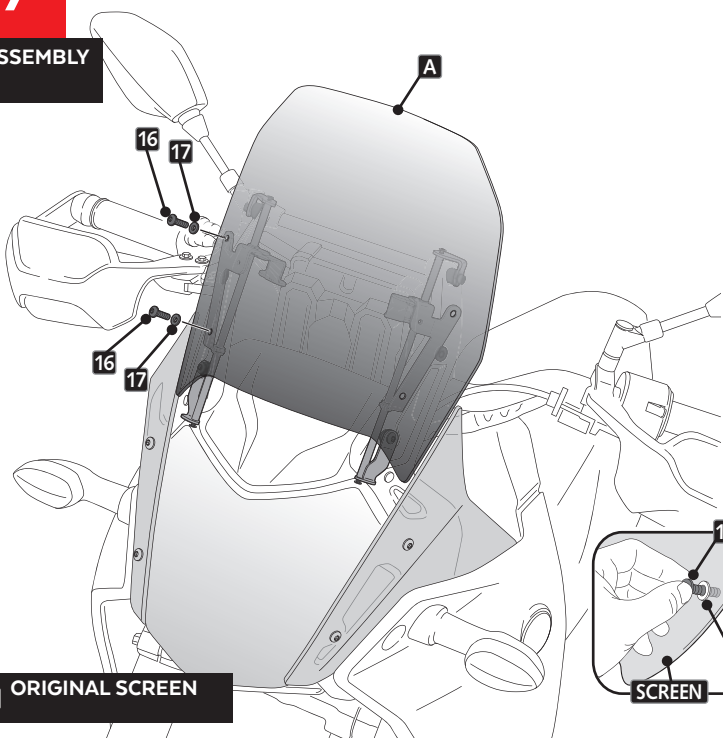
**6**

ASSEMBLY



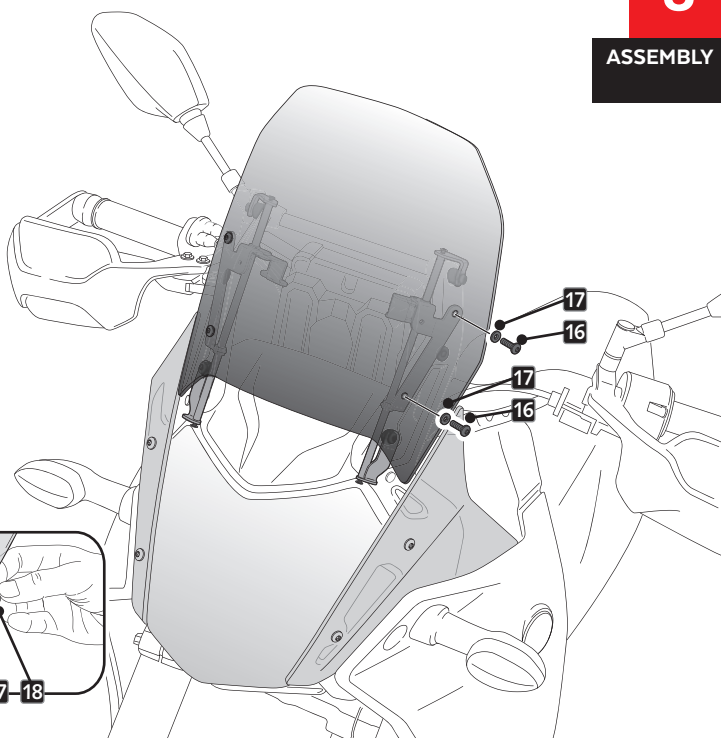
**7**

ASSEMBLY



**8**

ASSEMBLY



# YAMAHA TENERÉ 700 '19-

## EXPLOTING

