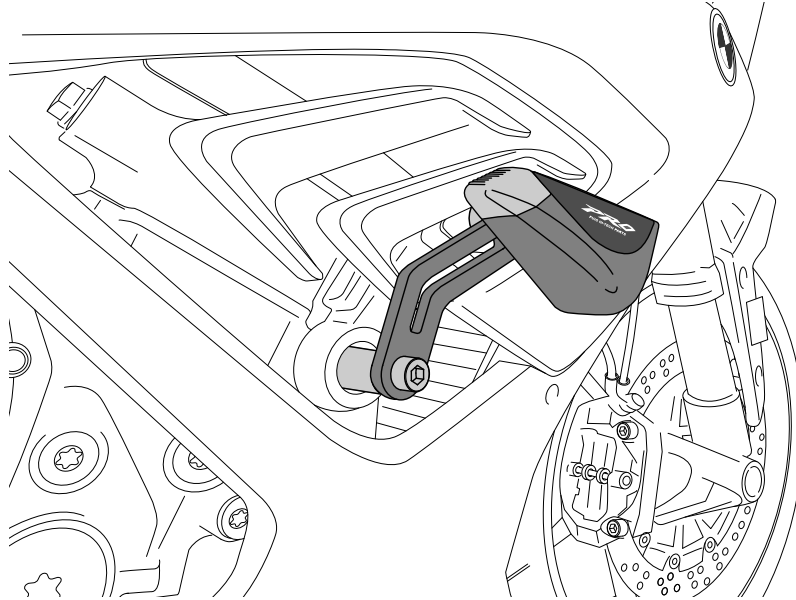


BMW S1000RR '19

REF 3707N

PRO CRASH PAD



ID.	PART	DESCRIPTION	QTY.	REF.:
1		Covers set	1	TAPAPROTECR19-D/I
2		M10/150x50 DIN912 screw	1	M2TM10150050A9B
3		M10/150x120 DIN912 screw	1	TORNIAD912-0353
4		M10 DIN125/A washer	2	M2AM10DIN125AZB
5		PRO protector	2	PROTECMOTPATIN
6		Right spacer (8mm) (Black)	1	CASPAT45-0-0045
7		Left spacer (56mm) (Black)	1	CASPAT46-0-0046
8		Right spacer (22mm) (Black)	1	CASQU466-0-1766
9		Right spacer (39mm) (Black)	1	CASQU468-0-1768
10		Left plate (Black)	1	PLATI375-1-0375
11		M10/150x90 DIN912 screw	1	TORNIAD912-0348

BMW S1000RR '19

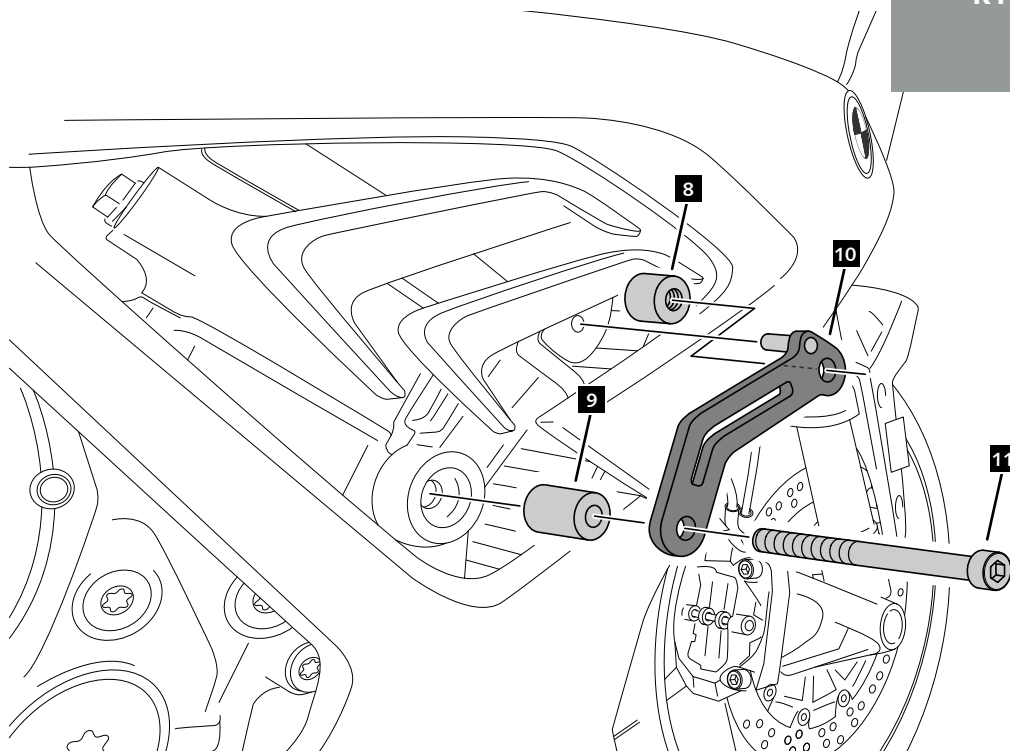
REF.3707N

MOUNTING INSTRUCTIONS

1

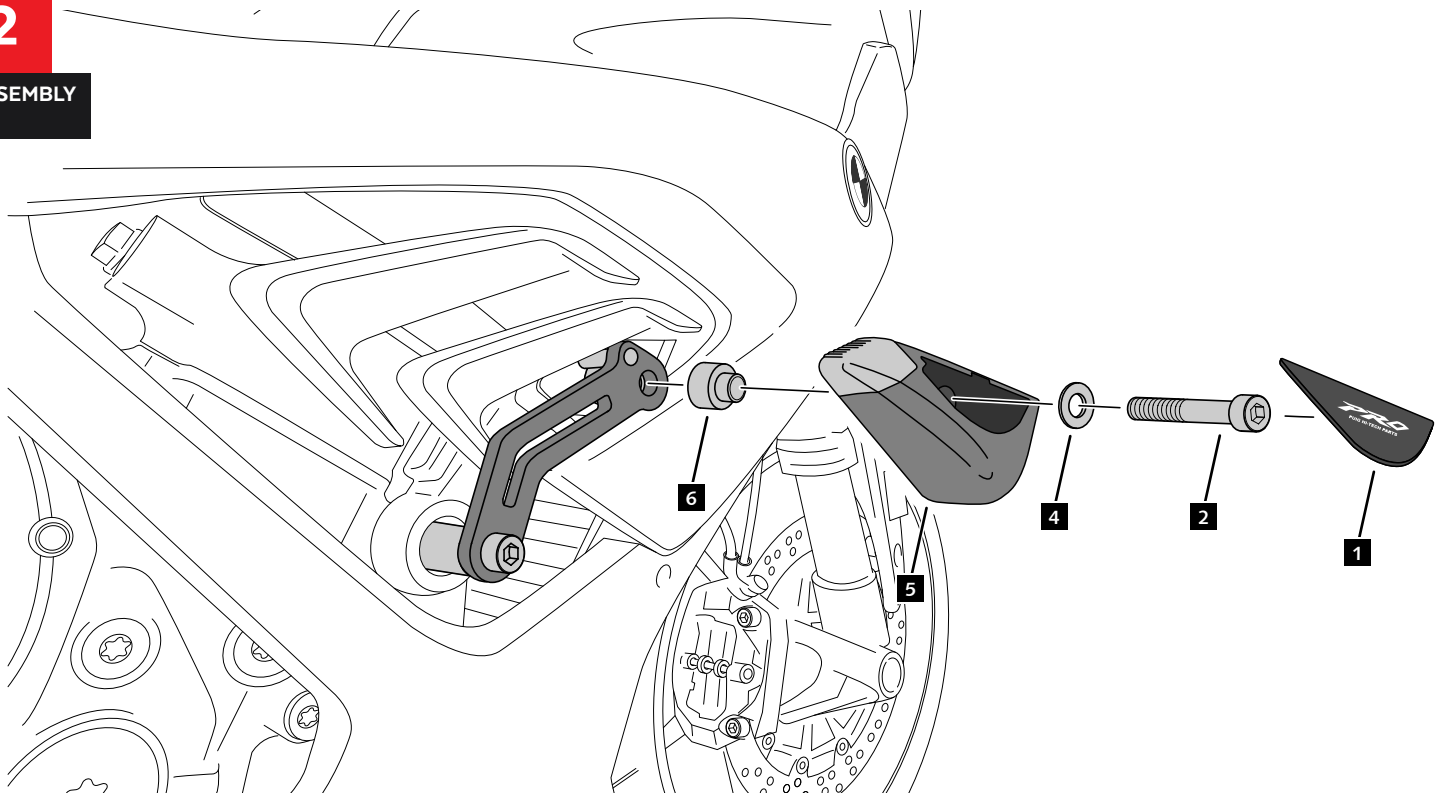
ASSEMBLY

RIGHT SIDE



2

ASSEMBLY



BMW S1000RR '19

REF. 3707N

MOUNTING INSTRUCTIONS

3

ASSEMBLY

LEFT SIDE

