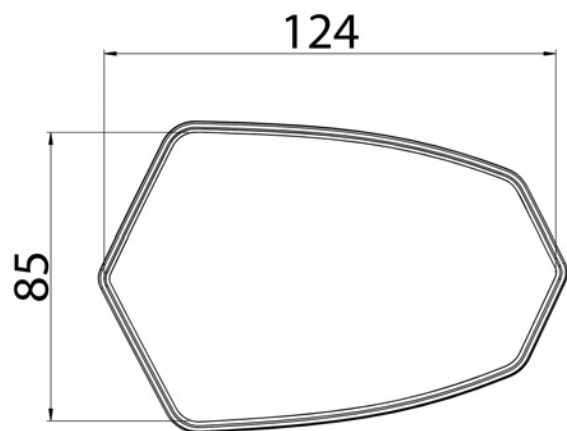
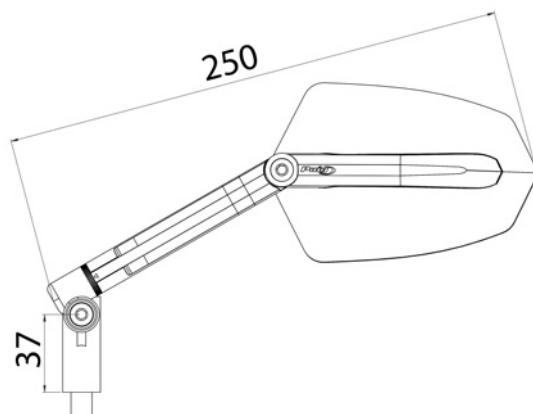


TECHNICAL FEATURES

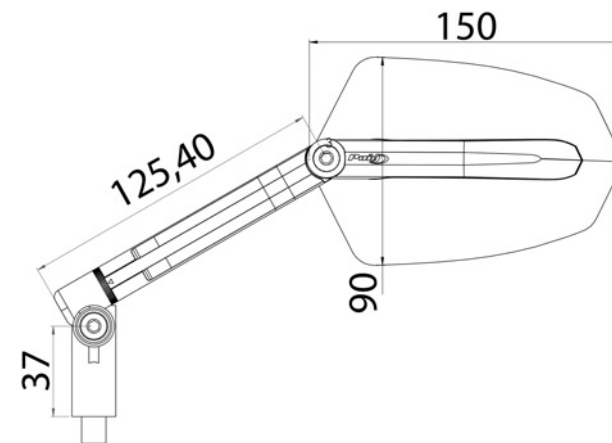


HOMOLOGATED



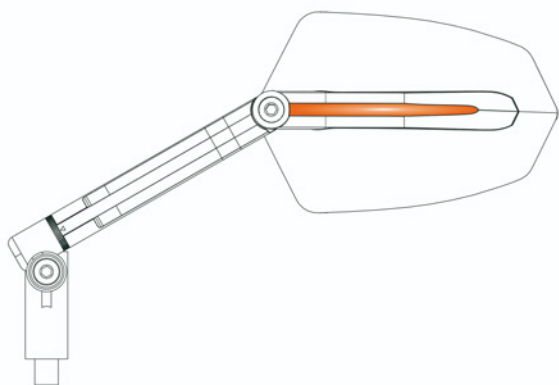
ADJUSTABLE

Inclination and height

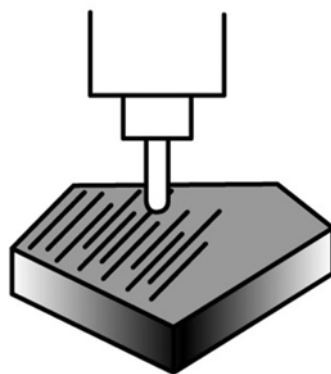


ADAPTABLE

A rod and adapters available for original fairing.



TURN SIGNAL INTEGRATED



MATERIAL

Produced from billet aluminium and anodized afterwards