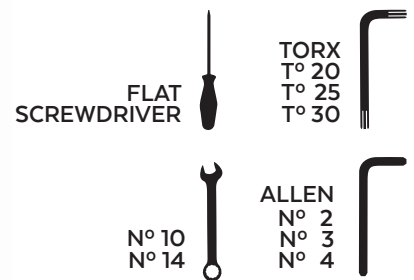


ELECTRONIC REGULABLE SYSTEM (E.R.S.)

BMW F850GS ADVENTURE '19-

M O U N T I N G I N S T R U C T I O N S

REF 3689



ID	PART	DESCRIPTION	QTY	REF
1		ERS	1	ERSIUNIVERSAL
2		Right screen support	1	SOPOR3P8-R- -COMU3157+3689
3		Left screen support	1	SOPOR3P8-L- -COMU3157+3689
4		Central support	1	SOPOR3P8-C- -COMU3157+3689
5		Right deflector(R)	1	SOPOR2P3-R- -DEFL3689
6		Left deflector (L)	1	SOPOR2P3-L- -DEFL3689
7		Box switch + support	1	ERSIUNIVERSAL
8		Intensity box limiter	1	ERSIUNIVERSAL
9		BMW power cable	1	3157
10		M6x20 Ø14 ISO7380 Allen screw	4	TORNI-I7380-404
11		M5x16 Ø11 ISO7380 Allen screw	4	TORNI-I7380-493
12		M5x11 Ø11 ISO7380 Allen screw	4	TORNI-AI----520
13		M5 ISO 7380 screw cap	8	TAPON-----85
14		M5x10 DIN7991 allen screw	4	TORNI-D7991-808
15		140x3,6mm cable ties	1	BRIDAN142X3'6-N
16		M6 lock nut	4	TUZBM6000000024
17		M6 nut cap	4	TORNI-I7380-404

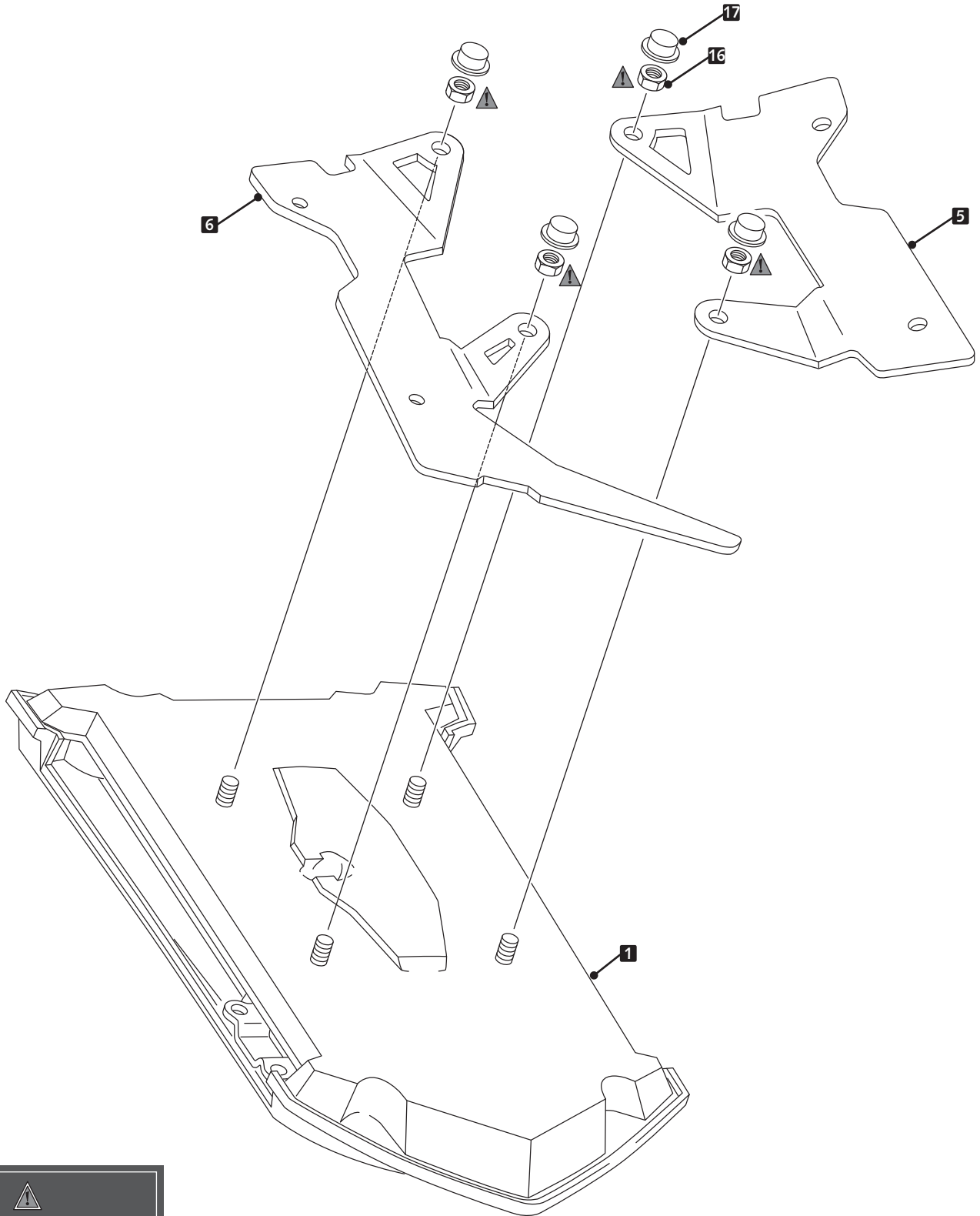
ELECTRONIC REGULABLE SYSTEM (E.R.S.)

BMW F850GS ADVENTURE '19-

MOUNTING INSTRUCTIONS

1

ASSEMBLY



TIGHTENING TORQUE 7Nm

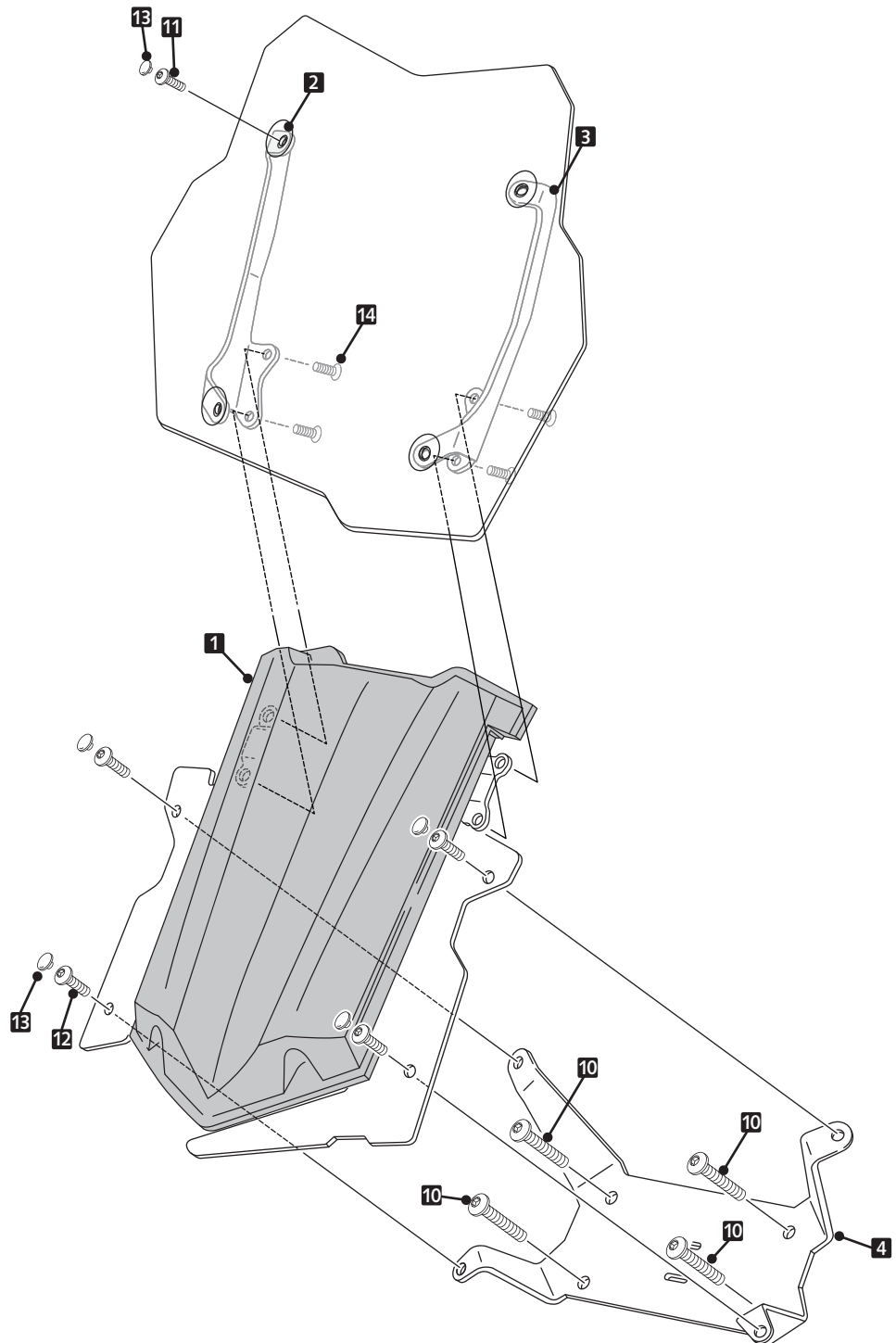
ELECTRONIC REGULABLE SYSTEM (E.R.S.)

BMW F850GS ADVENTURE '19-

MOUNTING INSTRUCTIONS

2

ASSEMBLY



WIRING DIAGRAM

REF 3689

