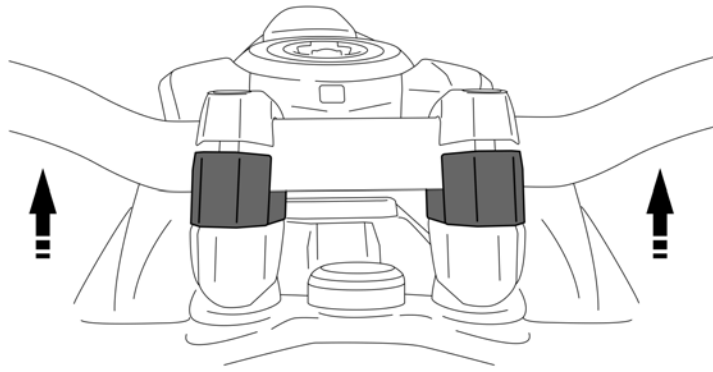
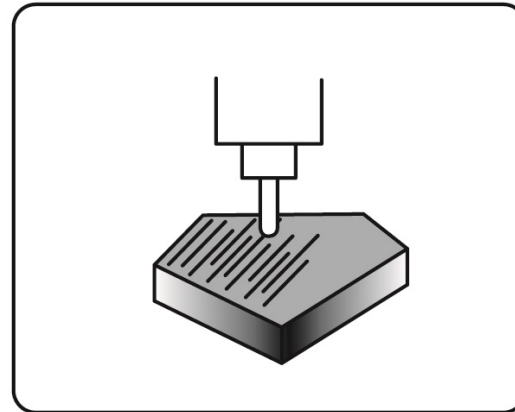


## TECHNICAL FEATURES



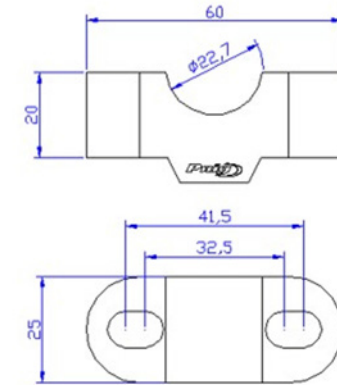
### FUNCTIONAL

Allows the handlebars to be raised

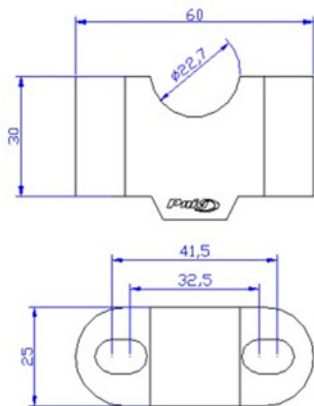


### MACHINING

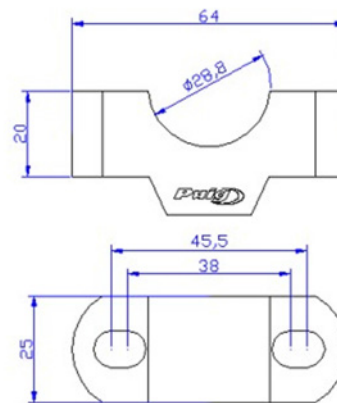
Machined from a block of aluminum and anodized in colors.



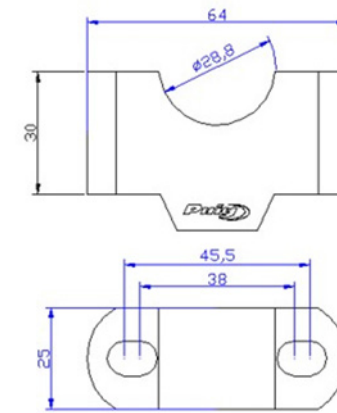
Ref. 3671N



Ref. 3672N



Ref. 3740N



Ref. 3741N