

KTM 1290 SUPERADVENTURE / 1190 ADVENTURE / 1090 ADVENTURE

M O U N T I N G I N S T R U C T I O N S

REF 3670

REAR MUDGUARD



1 Person



30 min

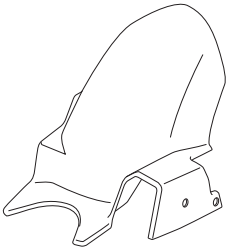

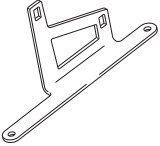











MEDIUM



TORX
T25
T30

ALLEN
N° 3
N° 4

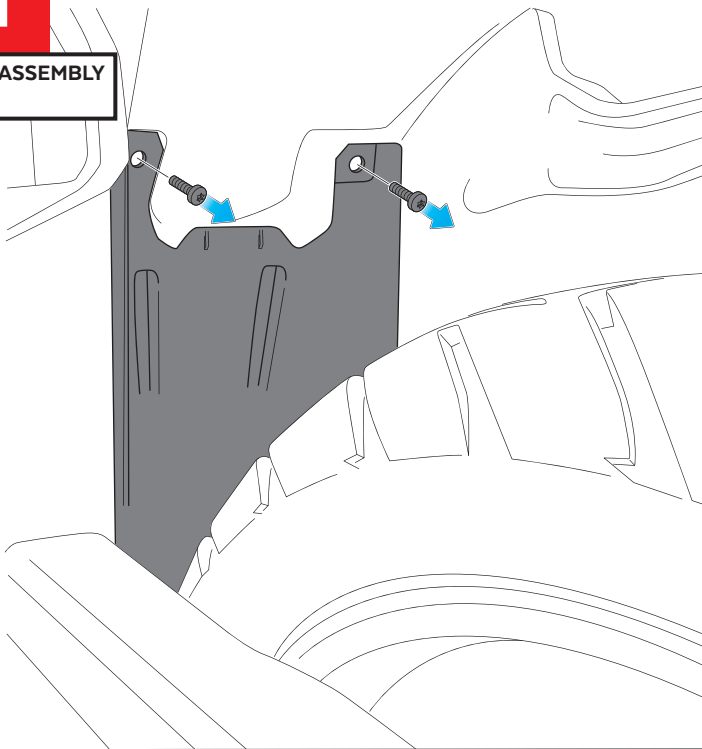
ID	PART	DESCRIPTION	QTY	REF
1		Mudguard	1	3670J
2		Left metal support	1	SOPOR2P2-L-3670
3		Right metal support	1	SOPOR2P2-R-3670
4		Lock nut M6 (supplied assembled)	2	TUERCAJFM6--716
5		M6x20 Ø14 ISO7380 Allen screw	2	TORNI-I7380-404
6		M5x16 Ø11 ISO7380 Allen screw	3	TORNI-I7380-493
7		M5x11 Ø11 ISO7380 Allen screw	2	TORNI-AI----520
8		M5 screw cap	2	TAPON-----85
9		M6 screw cap	2	TAPON-----86
10		Ø18x Ø9 xØ11 x8 silentblock	4	SILENBGONE--064
11		Ø15 xØ9 x7,5 bush with flange	4	CASQUI-1A---324
12		Ø6 xØ8 x5,5 arrowhead	1	CASQUI-----641

KTM 1290 SUPERADVENTURE / 1190 ADVENTURE / 1090 ADVENTURE

MOUNTING INSTRUCTIONS

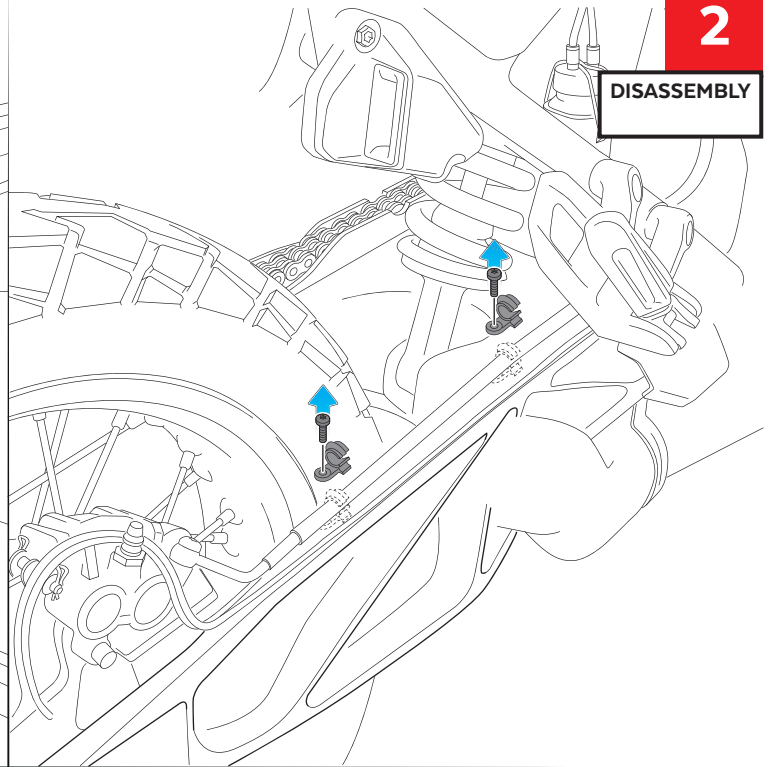
1

DISASSEMBLY



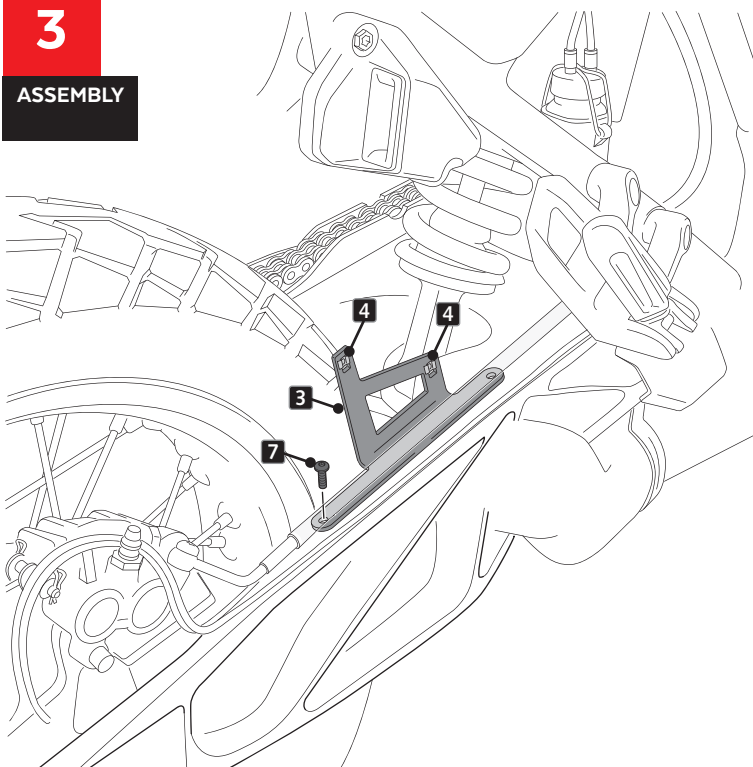
2

DISASSEMBLY



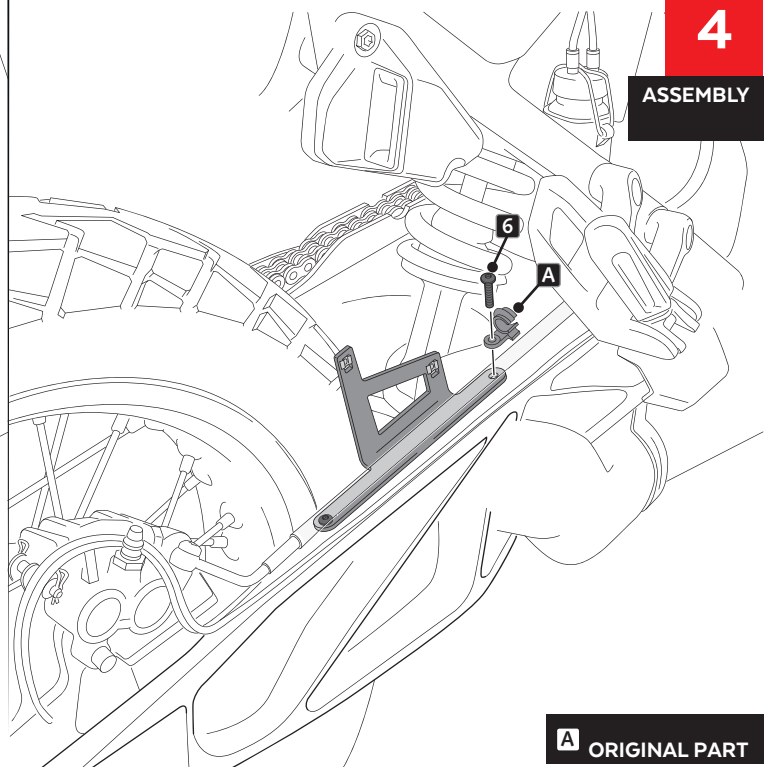
3

ASSEMBLY



4

ASSEMBLY



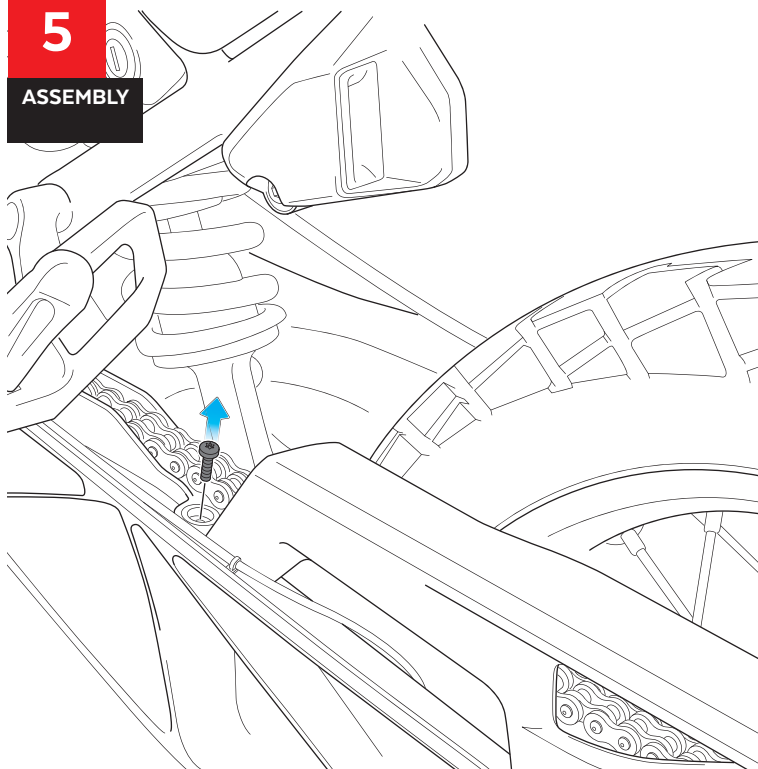
A ORIGINAL PART

KTM 1290 SUPERADVENTURE / 1190 ADVENTURE / 1090 ADVENTURE

MOUNTING INSTRUCTIONS

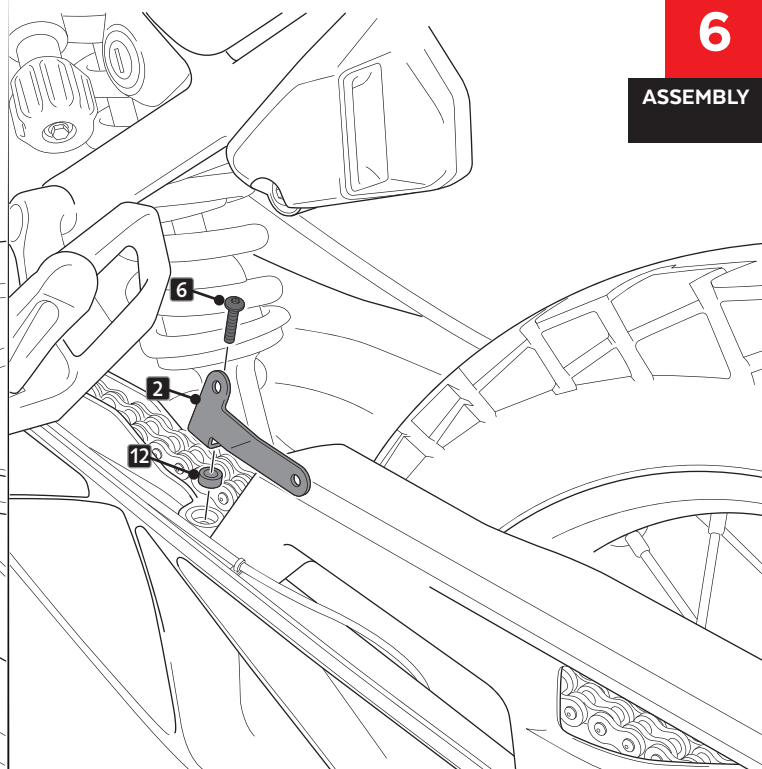
5

ASSEMBLY



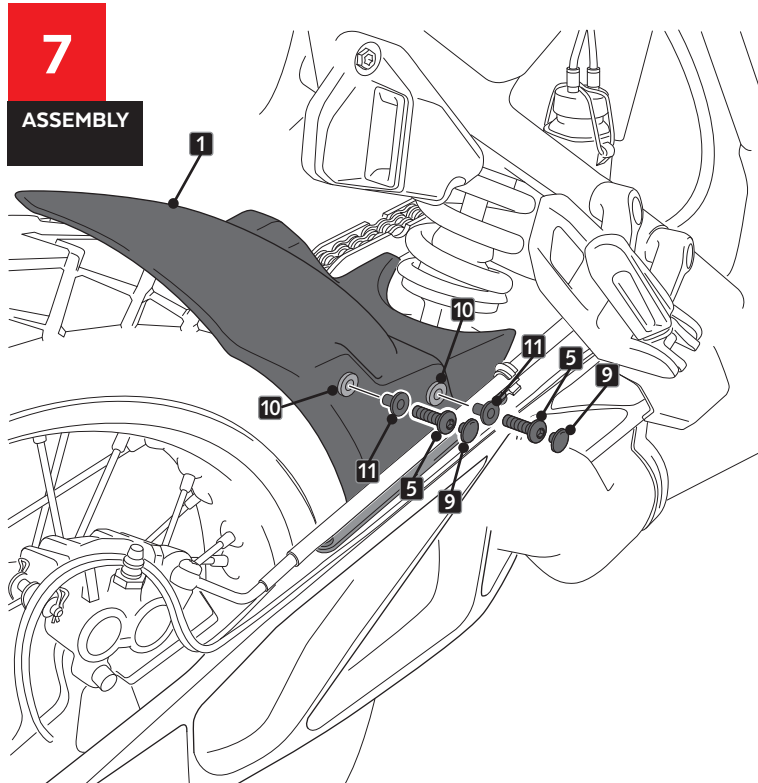
6

ASSEMBLY



7

ASSEMBLY



8

ASSEMBLY

