

UNIVERSAL

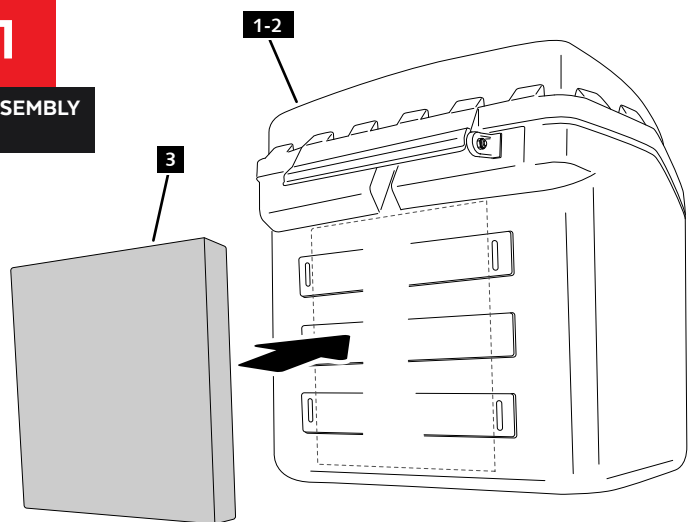
M O U N T I N G I N S T R U C T I O N S

REF  
3559-3660

MAXI BOX FIXED WITH STRAPS

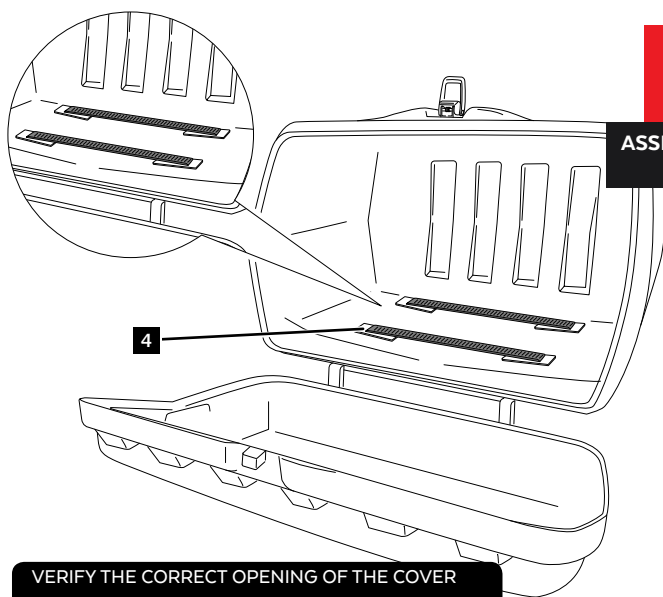
1

ASSEMBLY



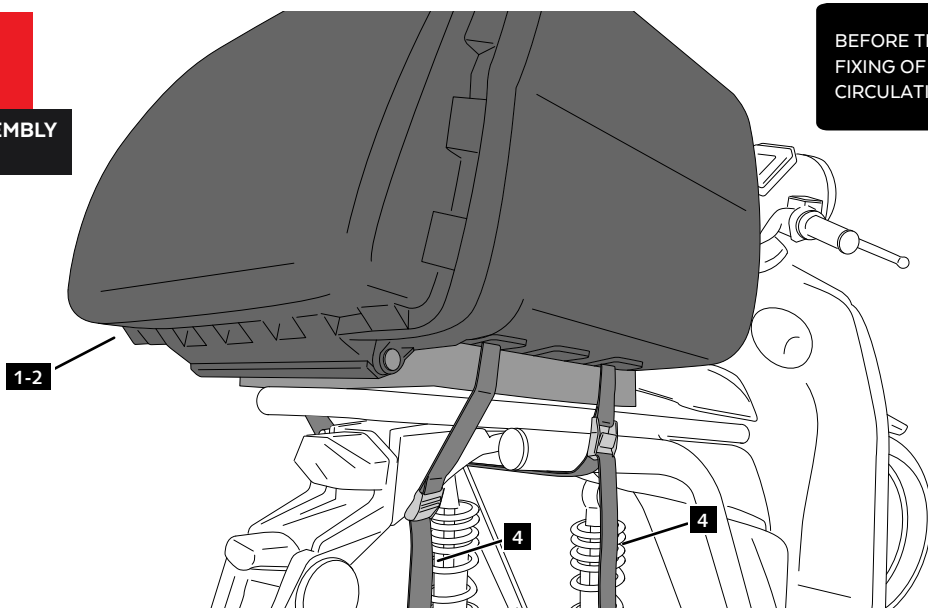
2

ASSEMBLY



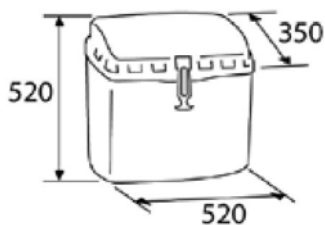
3

ASSEMBLY

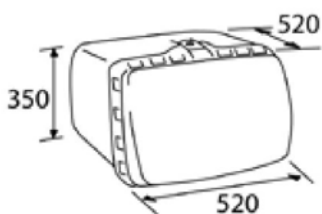


BEFORE TRAVELING, ENSURE THE CORRECT FIXING OF THE BOX. CHECK AFTER CIRCULATING SEVERAL KILOMETERS.

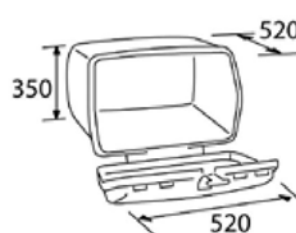
ID.	DESCRIPTION	QTY.	REF.:
1	Lock with key	1	3659
2	Keyless lock	1	3660
3	Adhesive foam base (280x280x40)	1	----
4	Straps (25x1500)	2	----



MAXI BOX



MAXI BOX CERRADURA



MAXI BOX TIRADOR