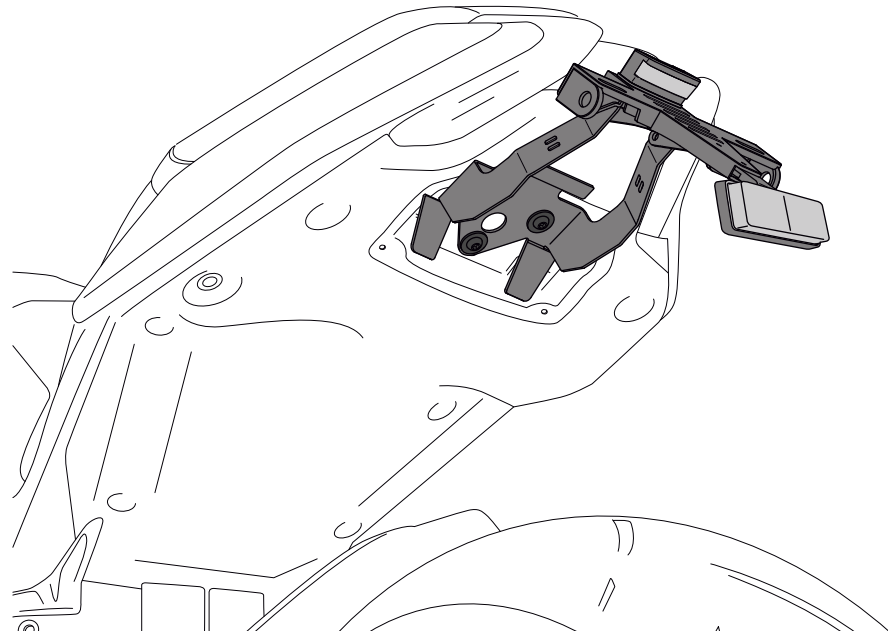


SUZUKI KATANA '19

M O U N T I N G I N S T R U C T I O N S

REF 3647N

LICENSE SUPORT FOR



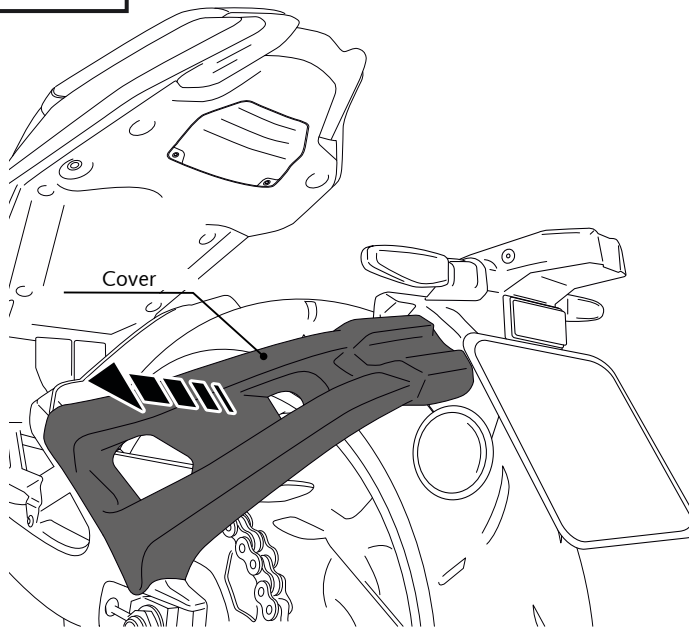
ID.	PART	DESCRIPTION	QTY.	REF.:
1		License support	1	CONJUNTO--3647N
2		M6x20 DIN1001 screw (black)	3	TORNI-I7380-404
3		M6 DIN9021 washer (black)	3	ARANDPD9021-037
4		Plastic bridle	5	BRIDAN100X2'5-N
5		Back light	1	5577N
6		Reflector	1	4481R

SUZUKI KATANA '19

MOUNTING INSTRUCTIONS

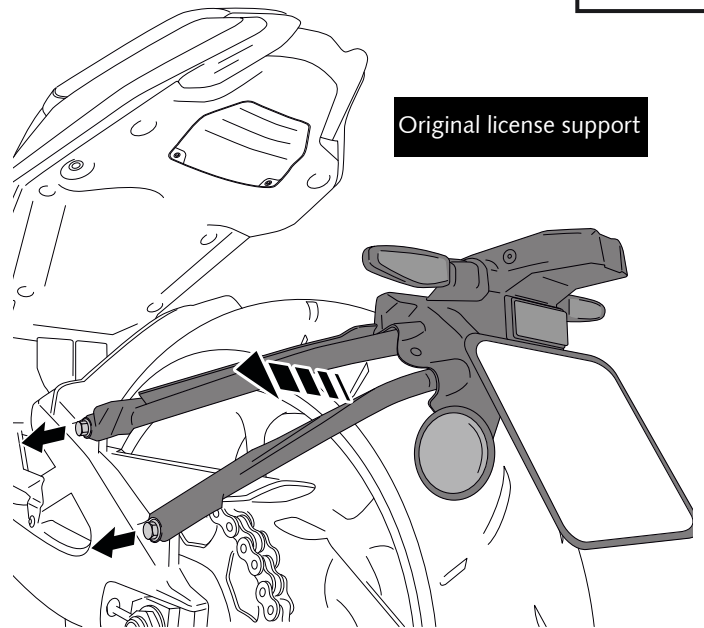
1

DISASSEMBLY



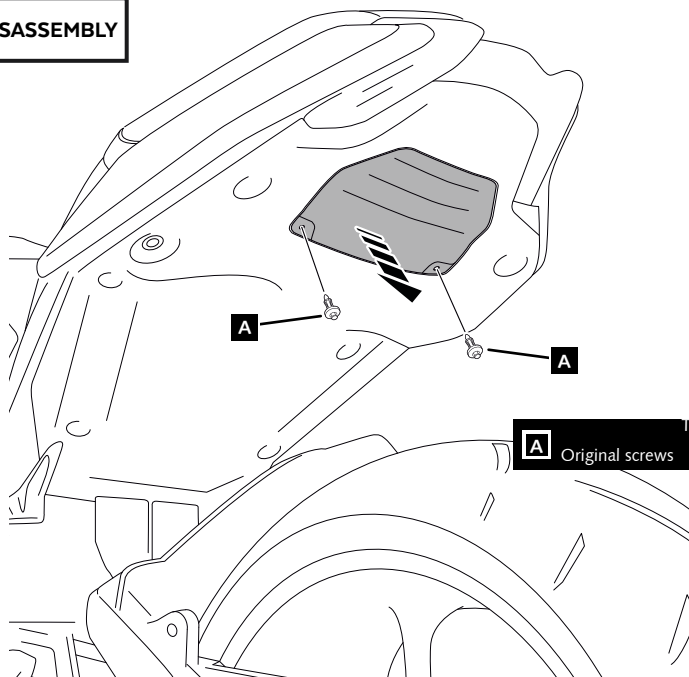
2

DISASSEMBLY



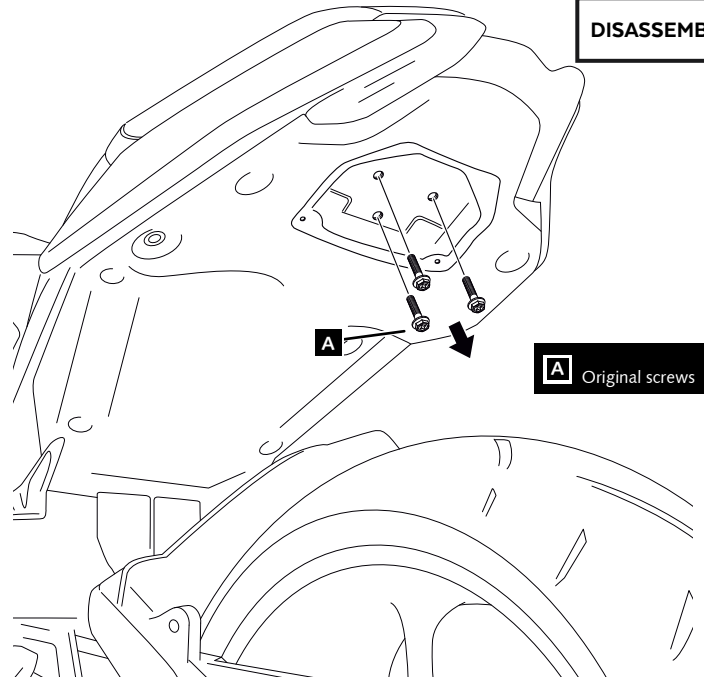
3

DISASSEMBLY



4

DISASSEMBLY

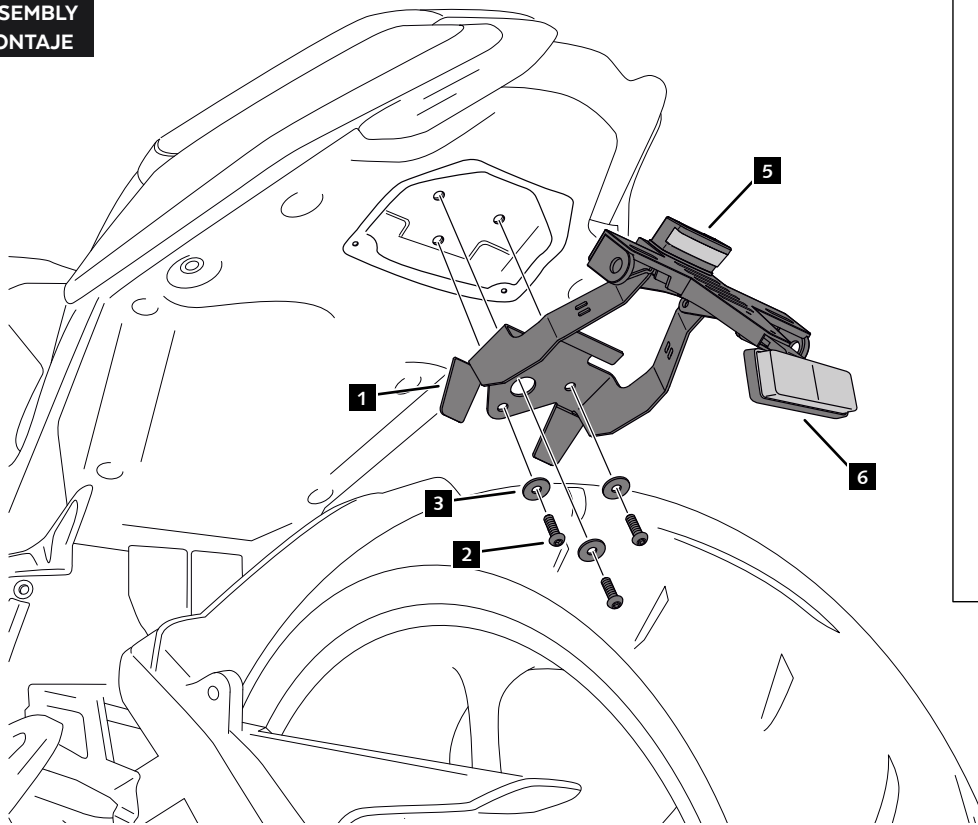


SUZUKI KATANA '19

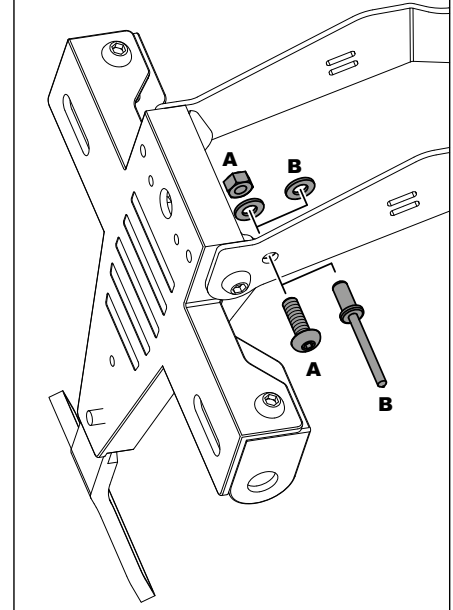
MOUNTING INSTRUCTIONS

5

**ASSEMBLY
MONTAJE**



Fixation license support rotation (2 OPTIONS A-B)



INSTALLATION TO THE TOP

MOVE THE ELECTRICAL