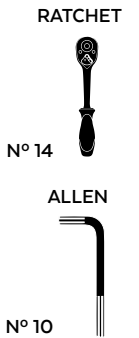
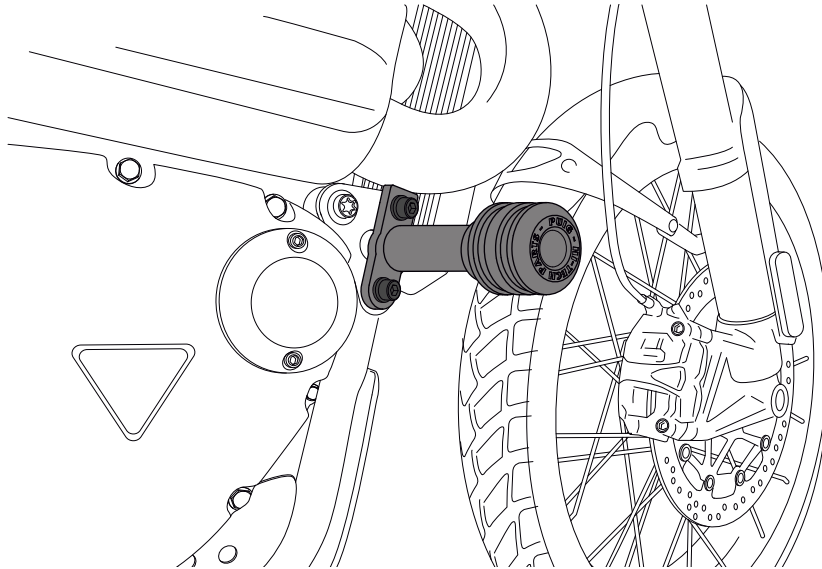


TRIUMPH SCRAMBLER 1200 XC '19

REF 3627N

CRASH PADS FOR



ID.	PART	DESCRIPTION	QTY.	REF.:
1		M10/150X120DIN912 screw	2	TORNIAD912-0353
2		M10 DIN125/A washer	2	M2AM10DIN125AZB
3		Nylon protector	2	CASQU352-0-1652
4		Anodized metal spacer (Silver)	2	CASQU351-2-1651
5		Aluminum spacer (Black)	2	CASQU464-0-1764
6		Metal plate (Black)	2	PLATI374-1-0374
7		M8 DIN125/A washer (Black)	4	ARANDPD125A-018
8		M8x40 DIN912 screw (Black)	4	TORNI-AD912-475
9		Ø14x6 metal spacer (Black)	4	CASQUI-----208

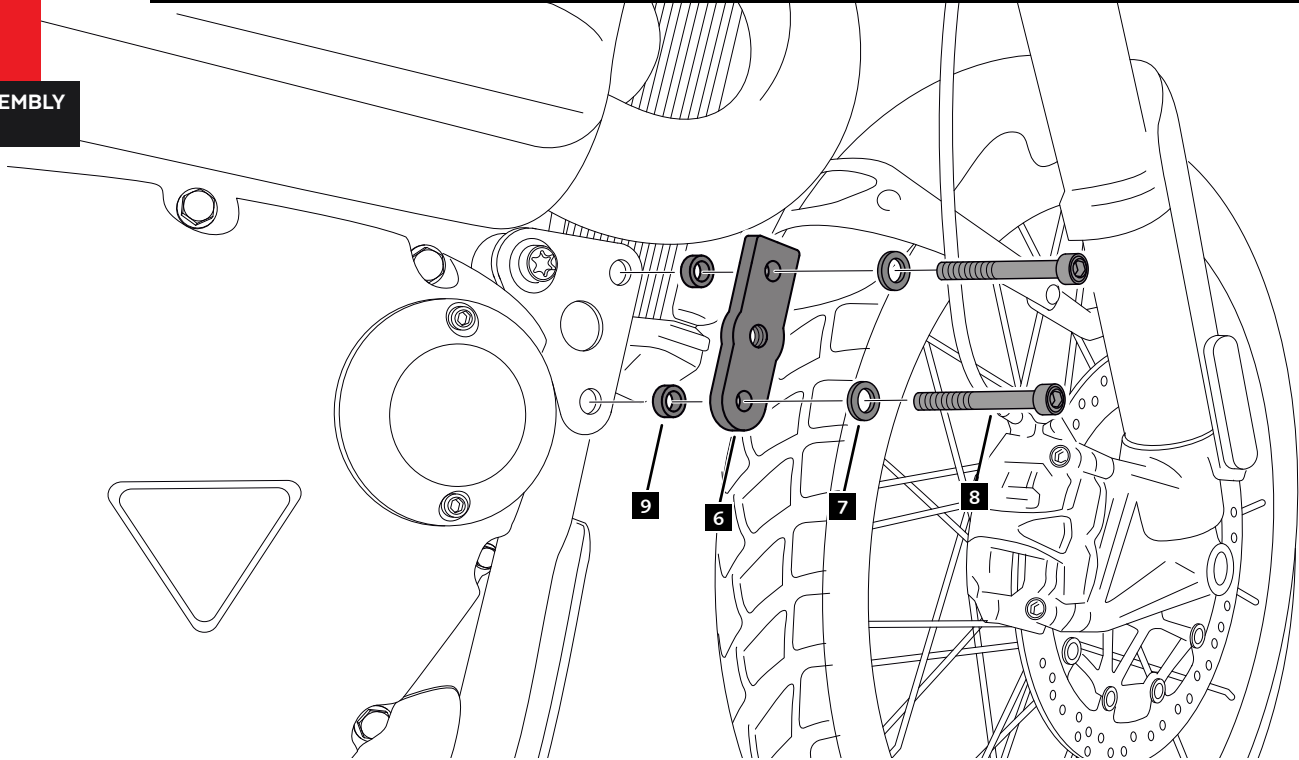
TRIUMPH SCRAMBLER 1200 XC '19

MOUNTING INSTRUCTIONS

The right side assembly is shown as an example, so the same steps can be performed for the left side assembly.

1

ASSEMBLY



2

ASSEMBLY

