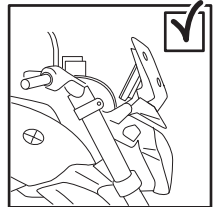


BMW R1250R '19-

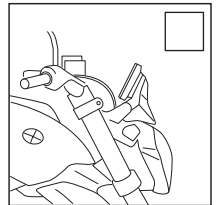
M O U N T I N G I N S T R U C T I O N S

REF 3626

WINDSHIELD NEW GENERATION TOURING



TORX
T25
T40



ALLEN
N° 3
N° 6

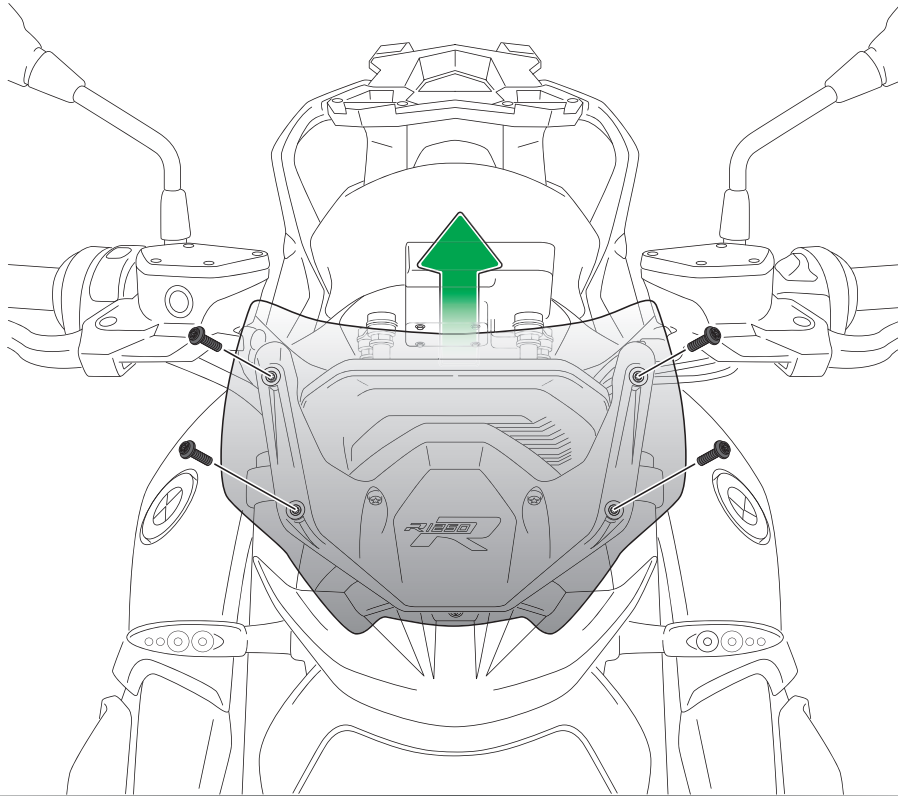
ID	PART	DESCRIPTION	QTY	REF
1		TOURING Screen	1	3626F/H/N/WM3
2		Right metal upper support (R)	1	SOPOR2P3-R-3626
3		Left metal upper support (L)	1	SOPOR2P3-L-3626
4		M8x50 DIN912 Allen screw	2	TORNI-D912--532
5		Ø8,5x Ø14x 12 arrowhead	2	CASQUI-----0083
6		Ø9 x Ø6 x8mm silentblock	6	AROPASACABLES-3
7		Ø12xØ6,8x7,3 bush with flange	6	CASQUI-1A---750
8		M5x16 Ø11 ISO 7380 Allen screw	6	TORNI-I7380-493
9		M5 ISO 7380 Allen cap screw	6	TAPON-----85

BMW R1250R '19-

MOUNTING INSTRUCTIONS

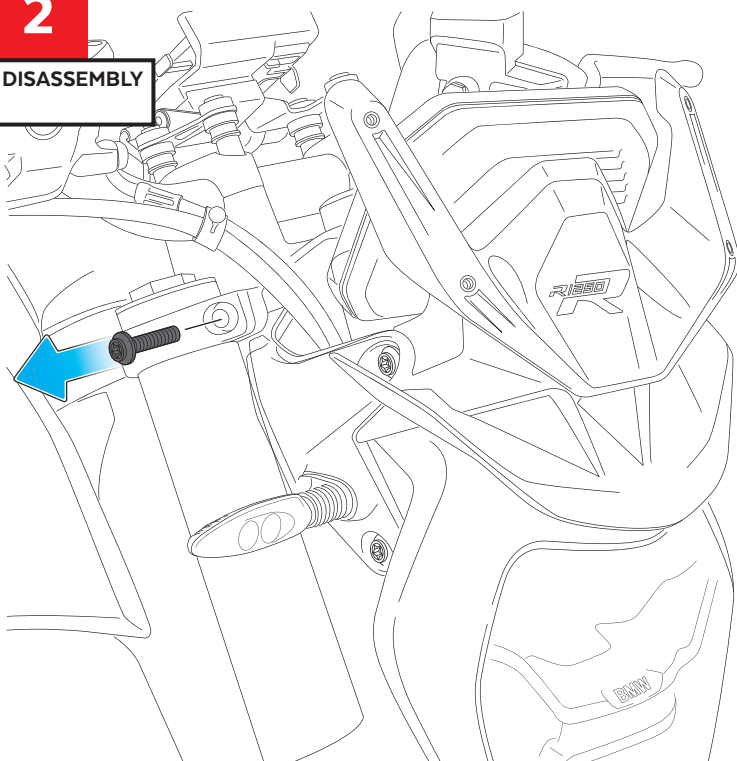
1

DISASSEMBLY
DESMONTAJE



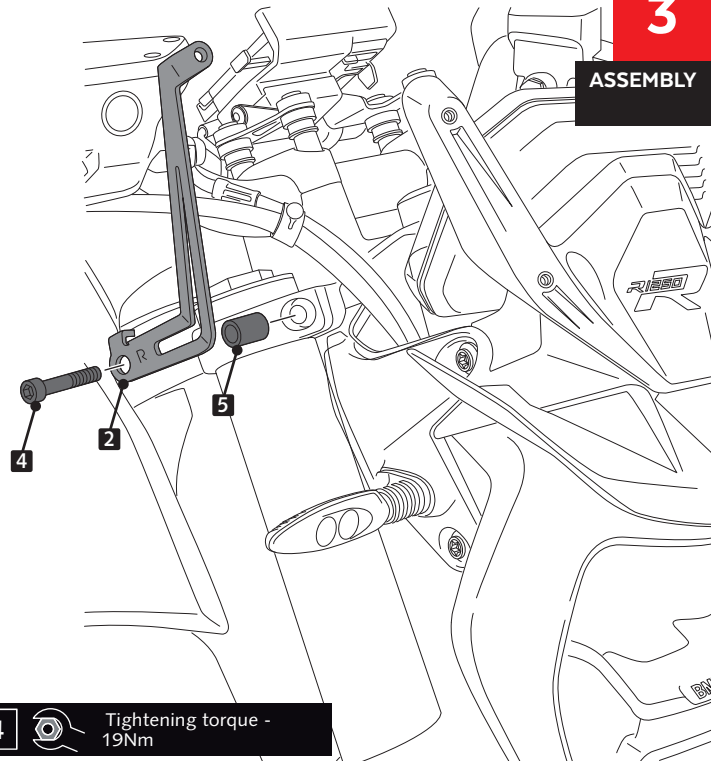
2


DISASSEMBLY



3

ASSEMBLY



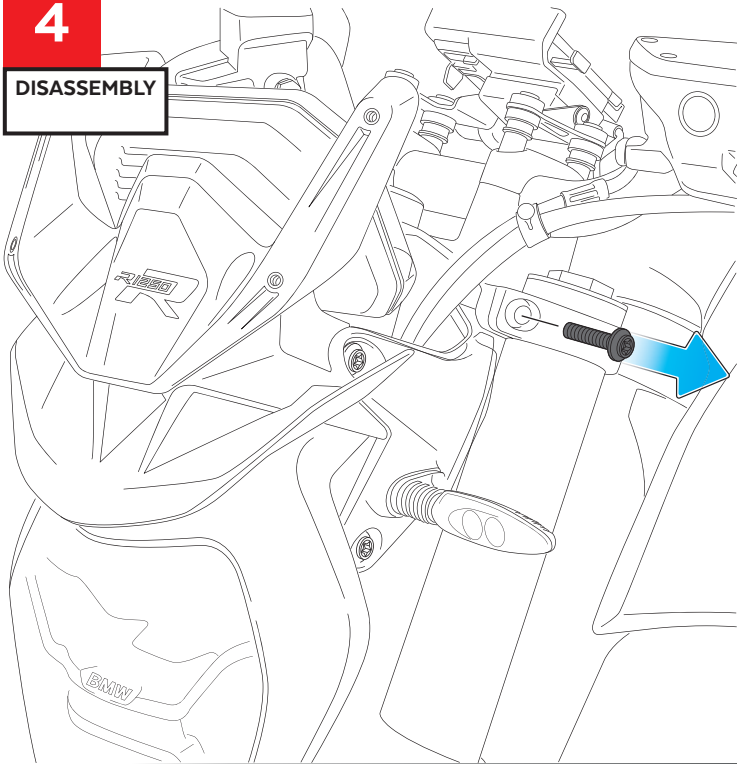
4  Tightening torque - 19Nm

BMW R1250R '19-

MOUNTING INSTRUCTIONS

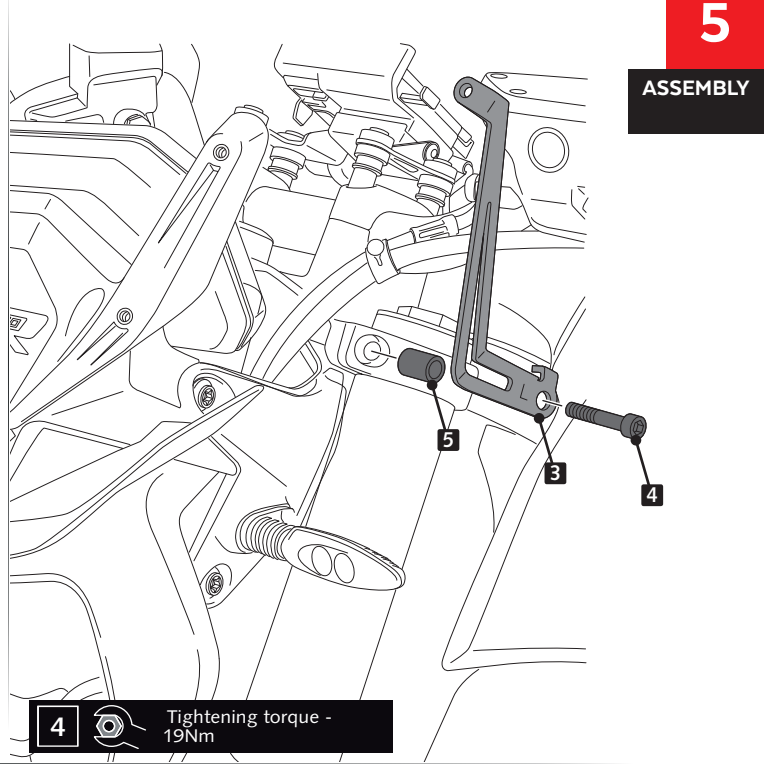
4

DISASSEMBLY



5

ASSEMBLY



6

ASSEMBLY

