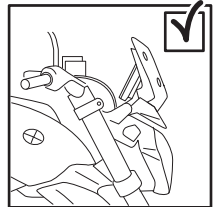


BMW R1250R '19-

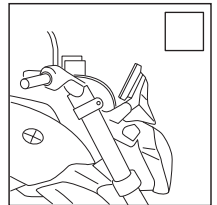
M O U N T I N G I N S T R U C T I O N S

REF 3626

WINDSHIELD NEW GENERATION TOURING



TORX
T25
T40



ALLEN
N° 3
N° 6

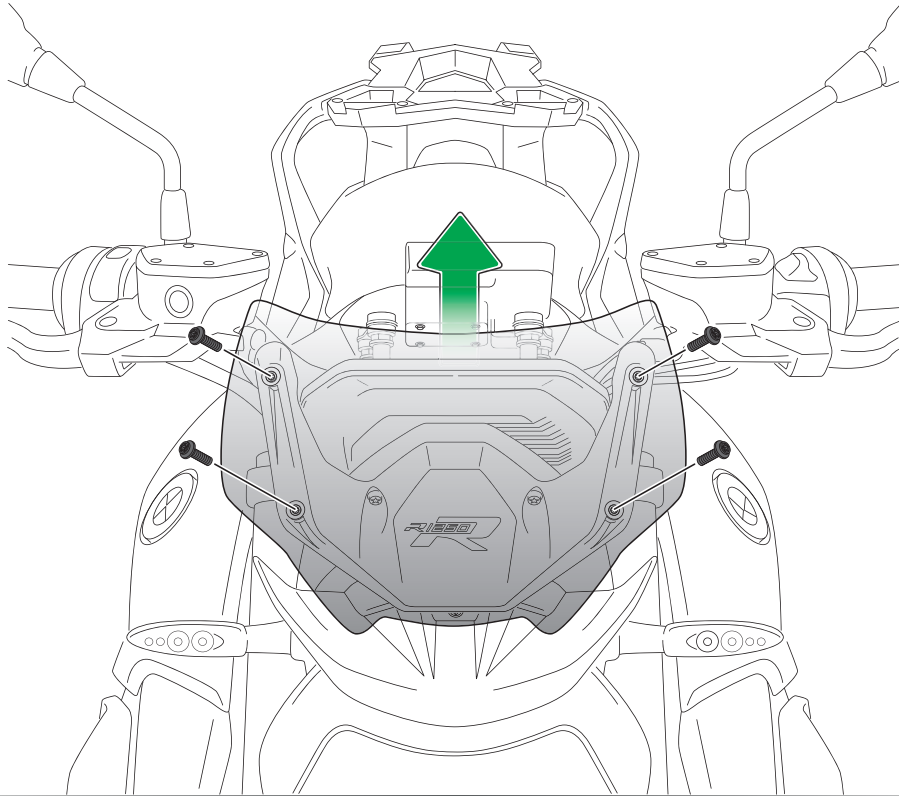
| ID | PART | DESCRIPTION | QTY | REF |
|----|------|--------------------------------|-----|-----------------|
| 1 | | TOURING Screen | 1 | 3626F/H/N/WM3 |
| 2 | | Right metal upper support (R) | 1 | SOPOR2P3-R-3626 |
| 3 | | Left metal upper support (L) | 1 | SOPOR2P3-L-3626 |
| 4 | | M8x50 DIN912 Allen screw | 2 | TORNI-D912--532 |
| 5 | | Ø8,5x Ø14x 12 arrowhead | 2 | CASQUI-----0083 |
| 6 | | Ø9 x Ø6 x8mm silentblock | 6 | AROPASACABLES-3 |
| 7 | | Ø12xØ6,8x7,3 bush with flange | 6 | CASQUI-1A---750 |
| 8 | | M5x16 Ø11 ISO 7380 Allen screw | 6 | TORNI-I7380-493 |
| 9 | | M5 ISO 7380 Allen cap screw | 6 | TAPON-----85 |

BMW R1250R '19-

MOUNTING INSTRUCTIONS

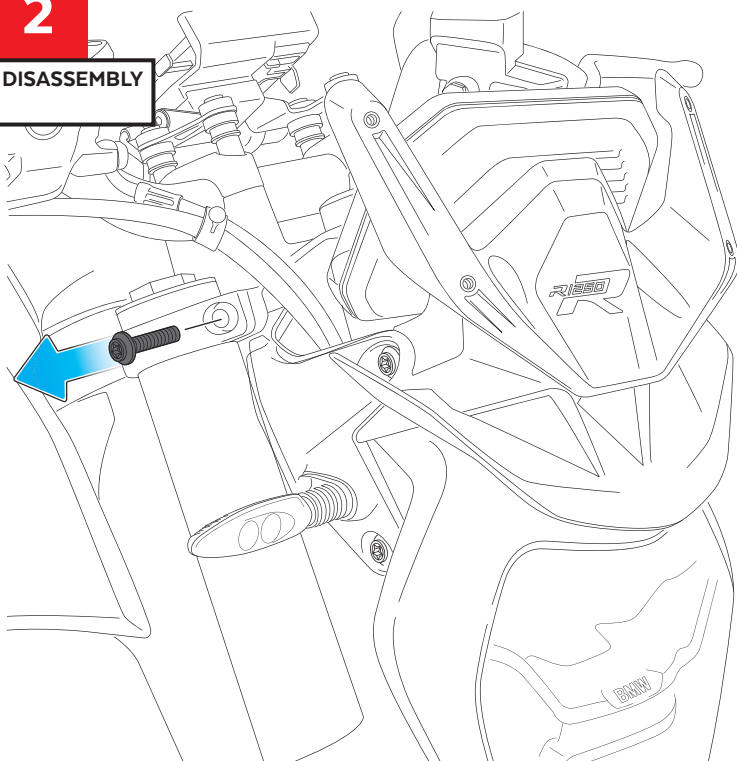
1

DISASSEMBLY
DESMONTAJE



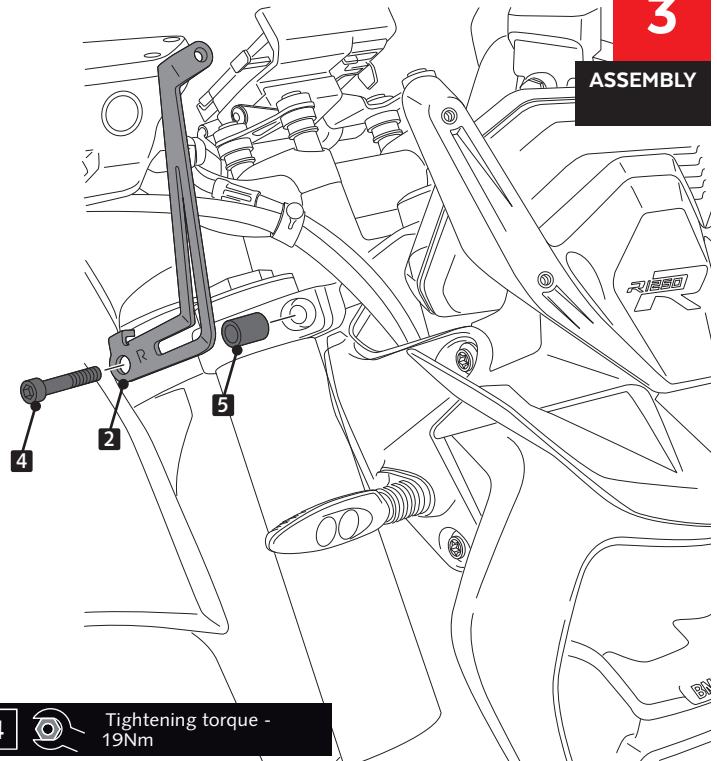
2

DISASSEMBLY



3

ASSEMBLY



4



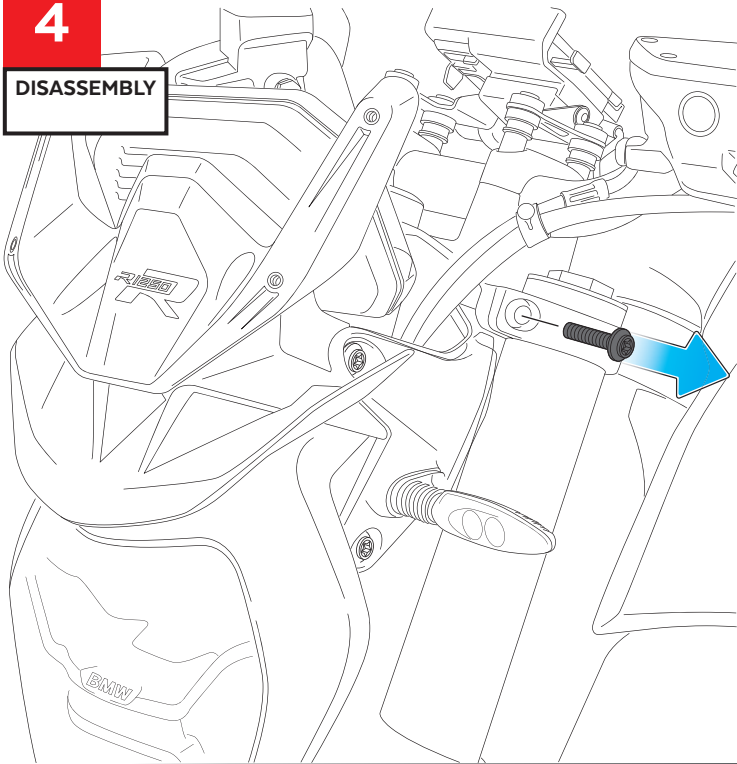
Tightening torque -
19Nm

BMW R1250R '19-

MOUNTING INSTRUCTIONS

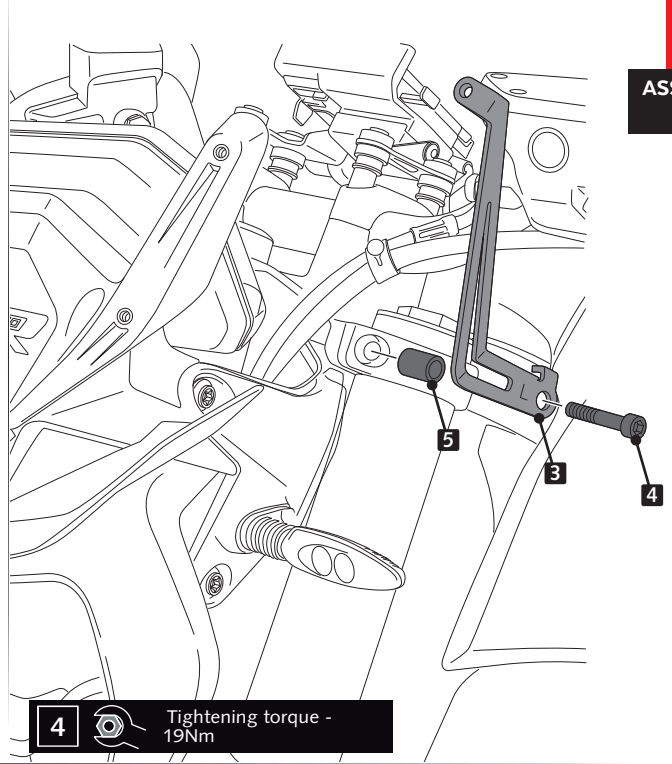
4

DISASSEMBLY



5

ASSEMBLY



6

ASSEMBLY

