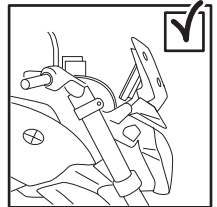


# BMW R1250R '19-

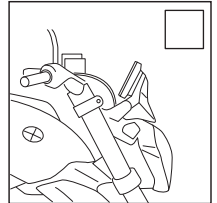
## M O U N T I N G I N S T R U C T I O N S

REF 3626

WINDSHIELD NEW GENERATION TOURING



TORX  
T25  
T40



ALLEN  
N° 3  
N° 6

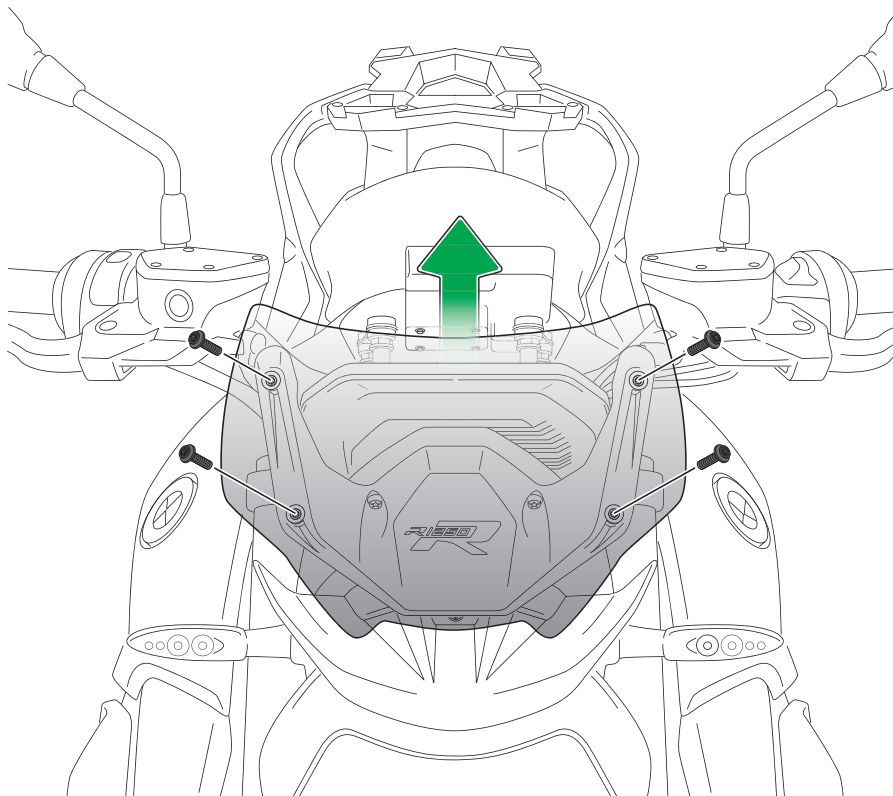
ID	PART	DESCRIPTION	QTY	REF
1		TOURING Screen	1	3626F/H/N/WM3
2		Right metal upper support (R)	1	SOPOR2P3-R-3626
3		Left metal upper support (L)	1	SOPOR2P3-L-3626
4		M8x50 DIN912 Allen screw	2	TORNI-D912--532
5		Ø8,5x Ø14x 12 arrowhead	2	CASQUI-----0083
6		Ø9 x Ø6 x8mm silentblock	6	AROPASACABLES-3
7		Ø12xØ6,8x7,3 bush with flange	6	CASQUI-1A---750
8		M5x16 Ø11 ISO 7380 Allen screw	6	TORNI-I7380-493
9		M5 ISO 7380 Allen cap screw	6	TAPON-----85

# BMW R1250R '19-

## MOUNTING INSTRUCTIONS

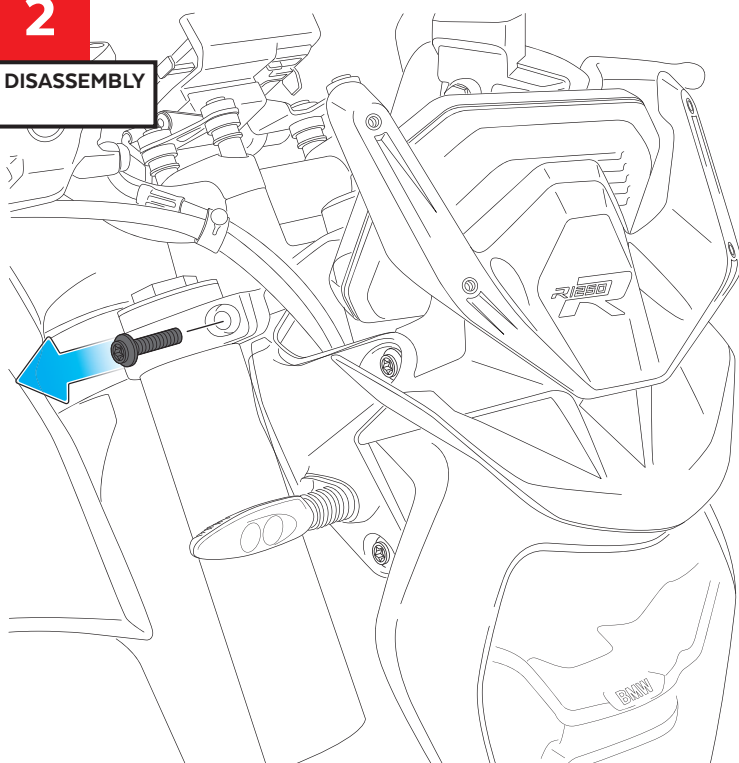
1

DISASSEMBLY  
DESMONTAJE



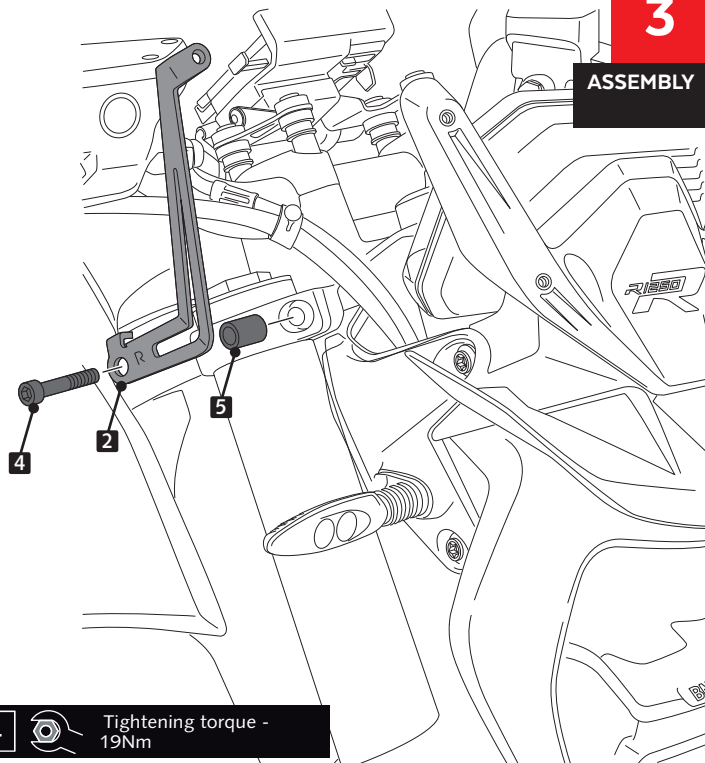
2

DISASSEMBLY



3

ASSEMBLY



4



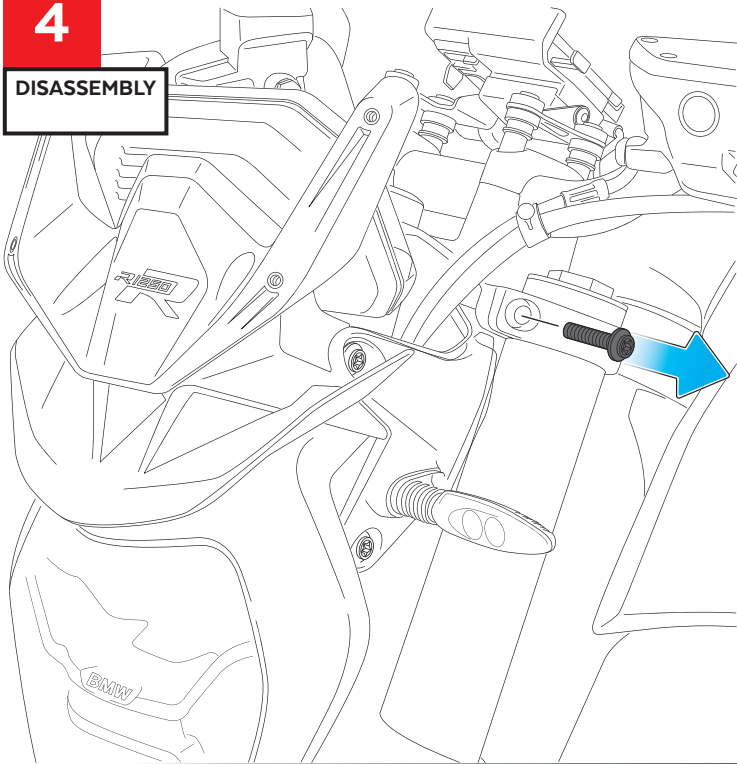
Tightening torque -  
19Nm

# BMW R1250R '19-

## MOUNTING INSTRUCTIONS

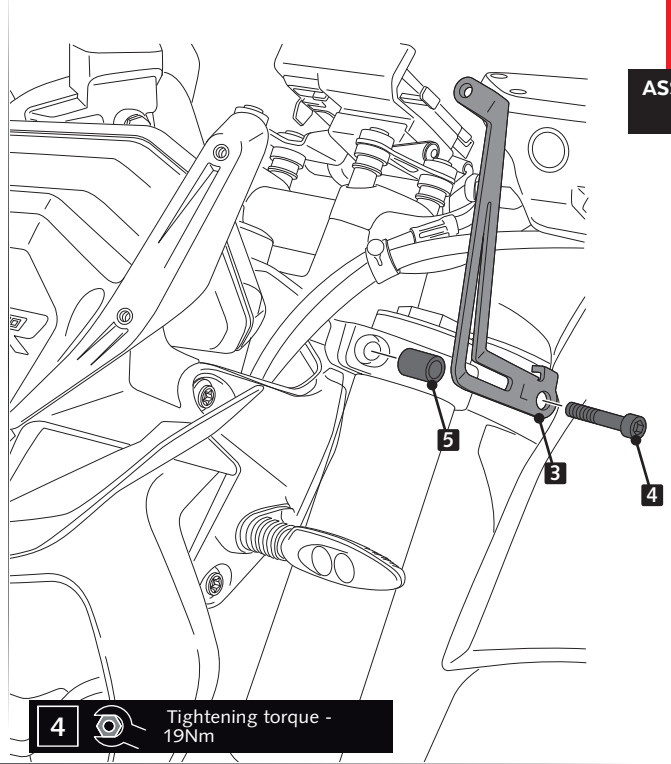
**4**

DISASSEMBLY



**5**

ASSEMBLY



**6**

ASSEMBLY

