

BMW R1250R '19-

M O U N T I N G I N S T R U C T I O N S

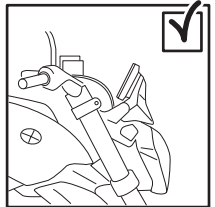
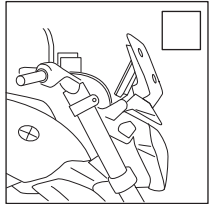
REF 3625

WINDSHIELD NEW GENERATION TOURING



TORX
T25
T40

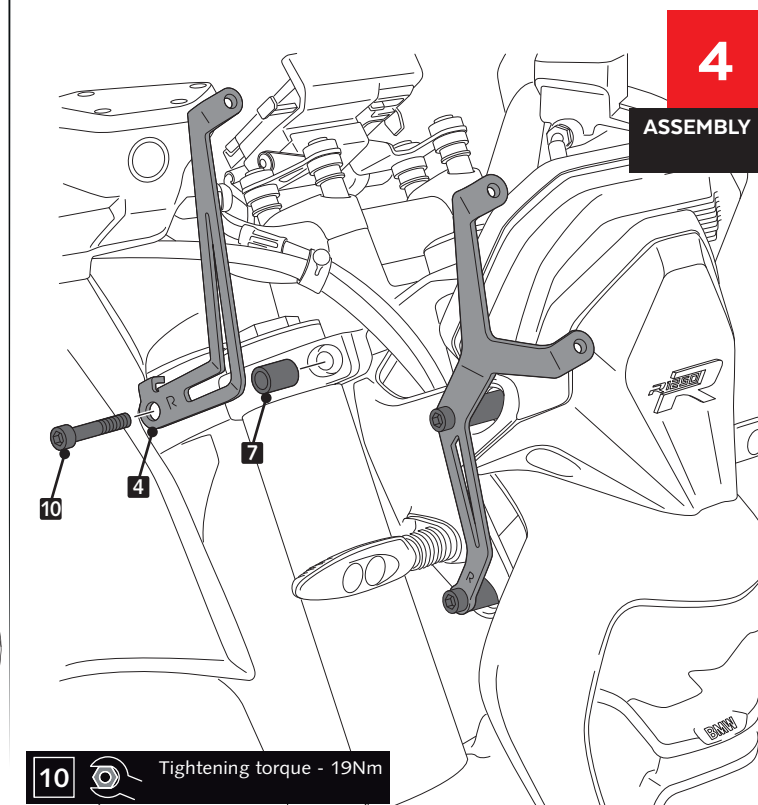
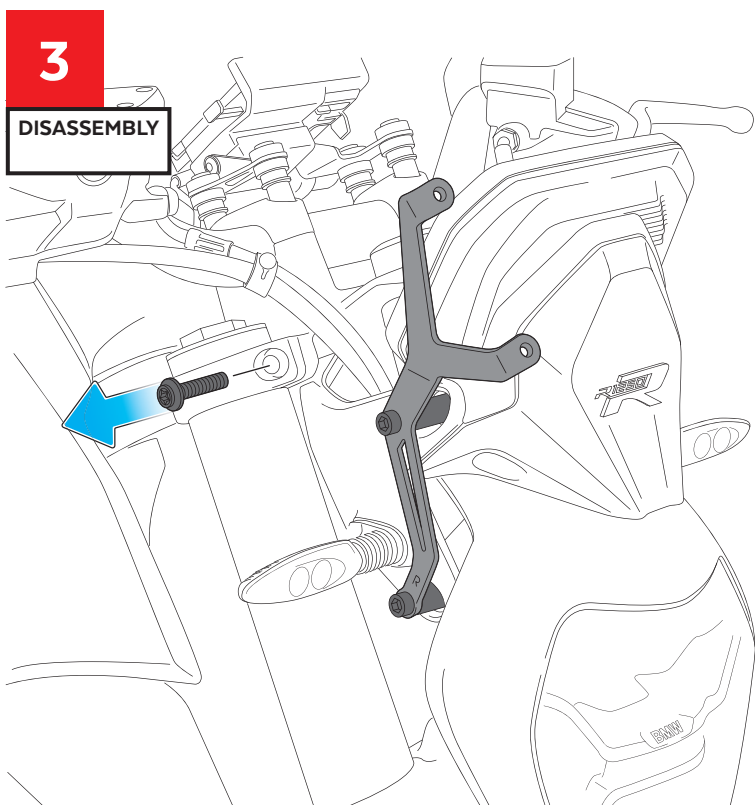
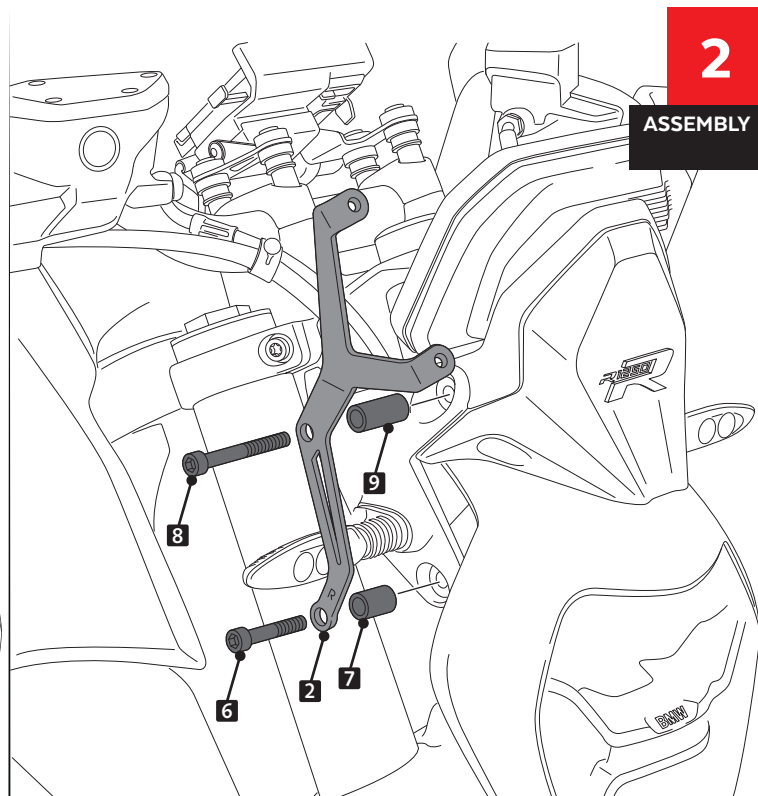
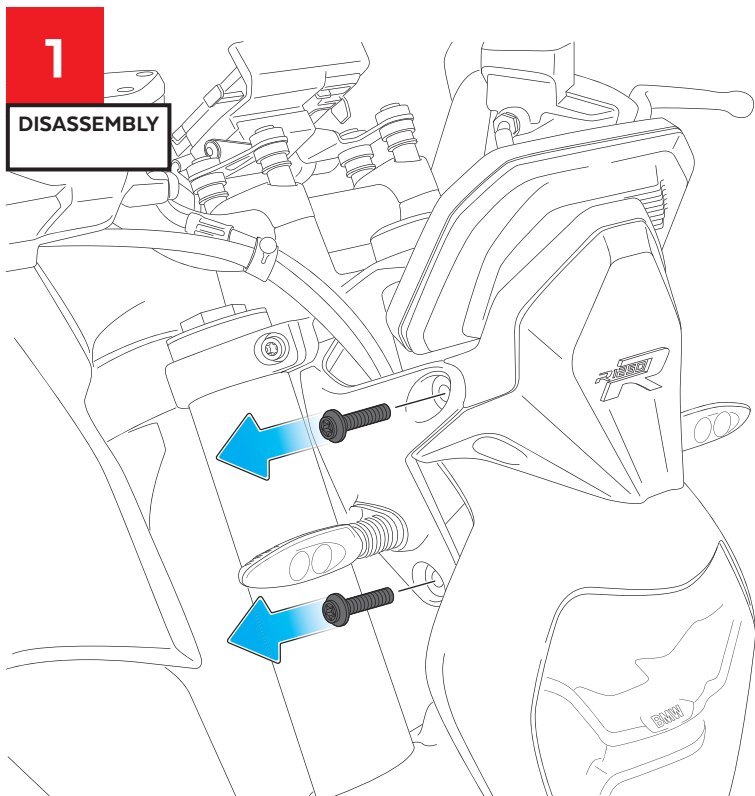
ALLEN
N° 3
N° 6



ID	PART	DESCRIPTION	QTY	REF
1		TOURING Screen	1	3626F/H/N/WM3
2		Right metal support (R)	1	SOPOR2P2-R-3625
3		Left metal support (L)	1	SOPOR2P2-L-3625
4		Right metal upper support (R)	1	SOPOR2P3-R-3626
5		Left metal upper support (L)	1	SOPOR2P3-L-3626
6		M8x30 DIN912 Allen screw	2	TORNI-D912--575
7		Ø8,5x Ø14x 12 arrowhead	4	CASQUI-----0083
8		M8x55 DIN912 Allen screw	2	TORNI-D912--631
9		Ø8,5x Ø14x 30 arrowhead	2	CASQUI-----149
10		M8x50 DIN912 Allen screw	2	TORNI-D912--532
11		Ø9 x Ø6 x8mm silentblock	6	AROPASACABLES-3
12		Ø12xØ6,8x7,3 bush with flange	6	CASQUI-1A---750
13		M5x16 Ø11 ISO 7380 Allen screw	6	TORNI-I7380-493
14		M5 ISO 7380 Allen cap screw	6	TAPON-----85

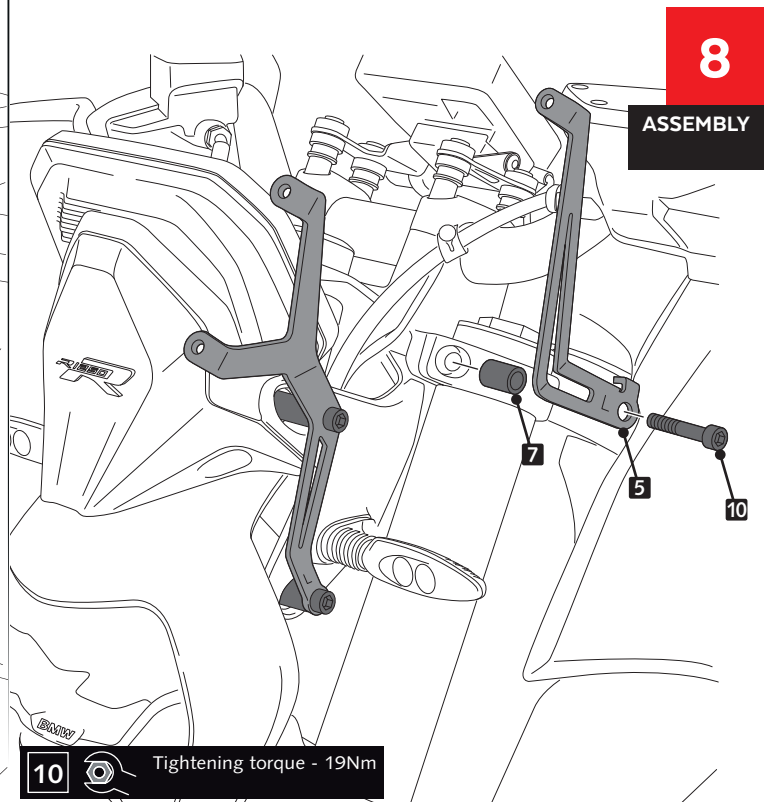
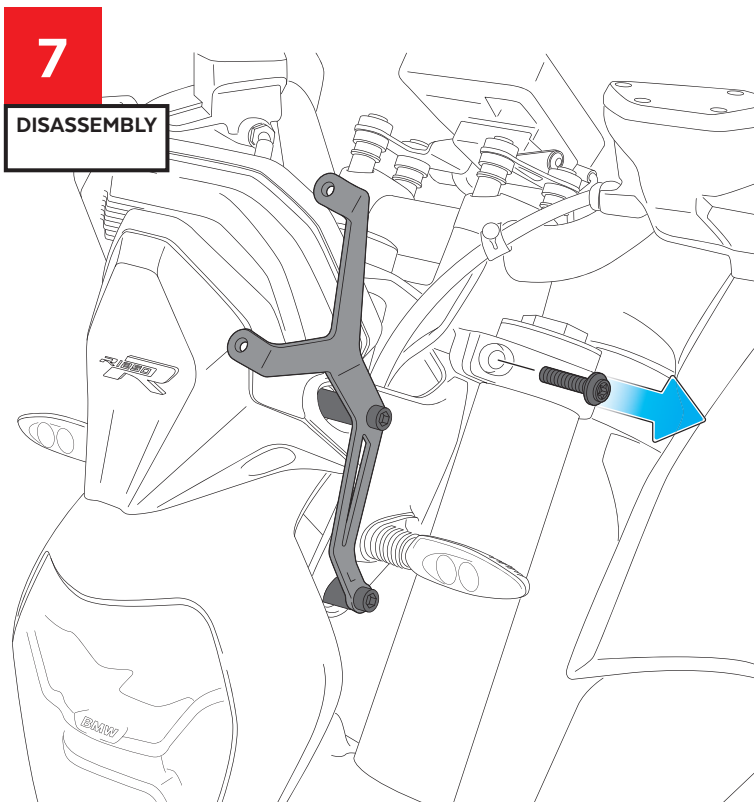
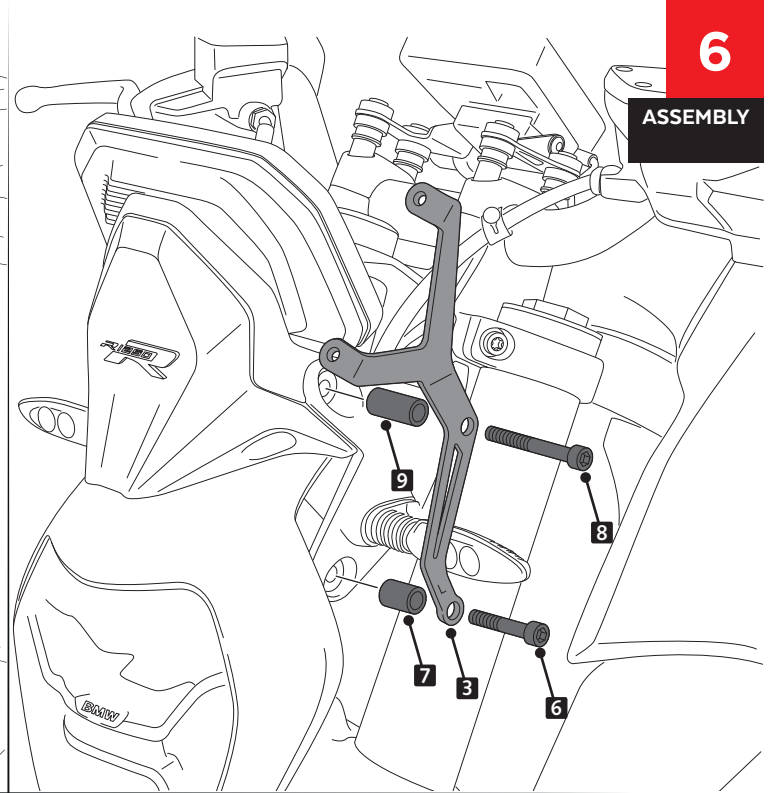
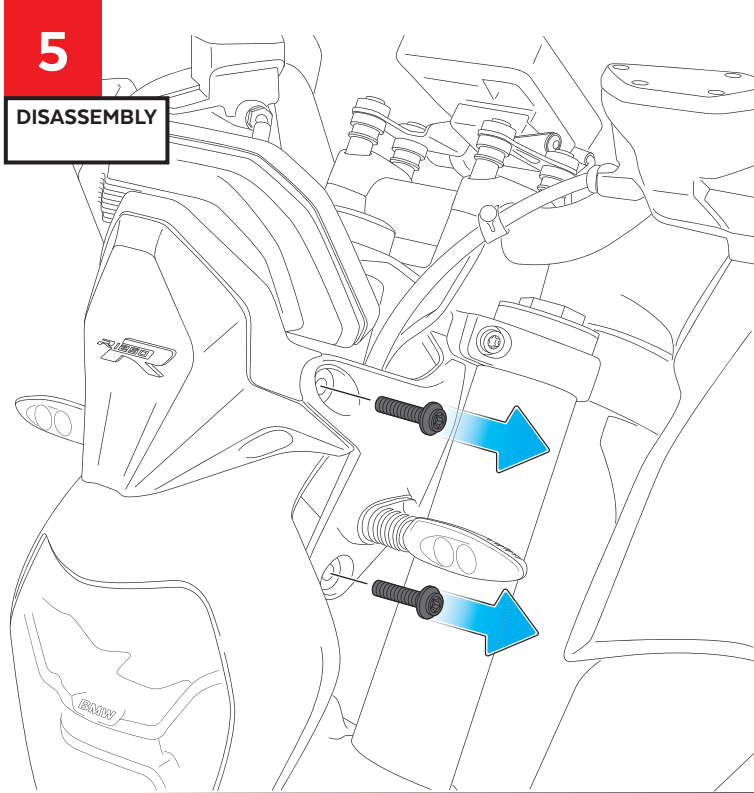
BMW R1250R '19-


MOUNTING INSTRUCTIONS



BMW R1250R '19-

MOUNTING INSTRUCTIONS



10  Tightening torque - 19Nm

BMW R1250R '19-

MOUNTING INSTRUCTIONS

9

ASSEMBLY

