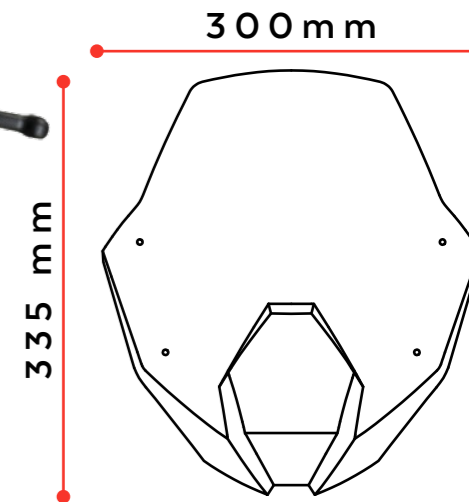


3624F +195 mm / +7,68 in

3624H +195 mm / +7,68 in

OEM



3623F +195 mm / +7,68 in

3623H +195 mm / +7,68 in

OEM



300 mm

335 mm

