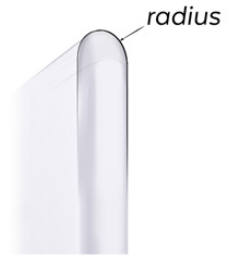


HONDA X-ADV '17-

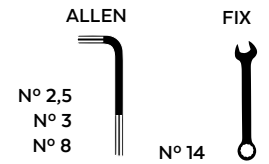
MOUNTING INSTRUCTIONS

REF 3621

HANDGUARD EXTENSION



ROUNDED CONTOUR-PROFILE



ID.	PART	DESCRIPTION	QTY.	REF.:
1		Right handguard extension	1	3621W/H/FM3
2		Left handguard extension	1	3621W/H/FM3
3		Right upper support	1	SOPOR4P2RS-3621
4		Right side support	1	SOPOR4P2RC-3621
5		Left upper support	1	SOPOR4P2LS-3621
6		Left side support	1	SOPOR4P2LC-3621
7		M4x8 ISO 7380 allen screw	4	TORNI-I7380-757
8		M4x0,5 nylon washer	6	ARNV00000000311
9		M4x16 ISO 7380 Allen screw	2	TORNIAI7380-310
10		M4 silentblock	2	SILENBTM4---062

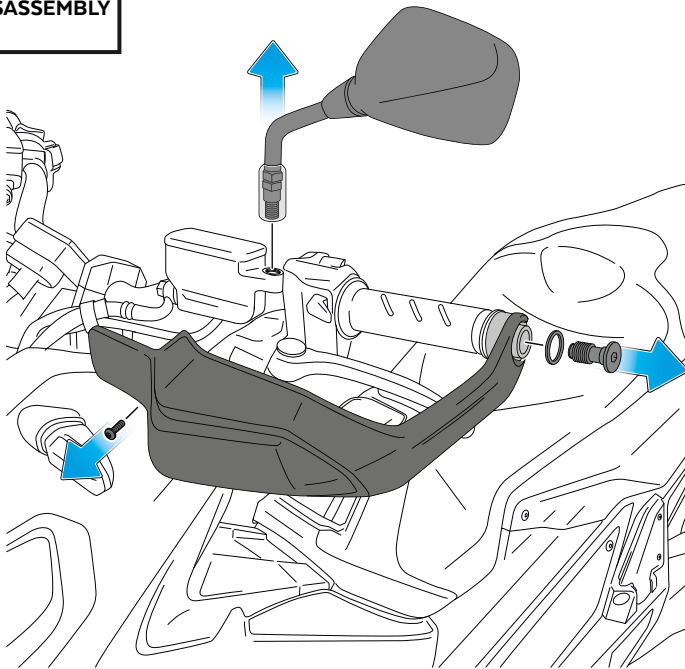
HONDA X-ADV '17-

MOUNTING INSTRUCTIONS

The left side assembly is shown as an example, so the same steps can be performed for the right side assembly.

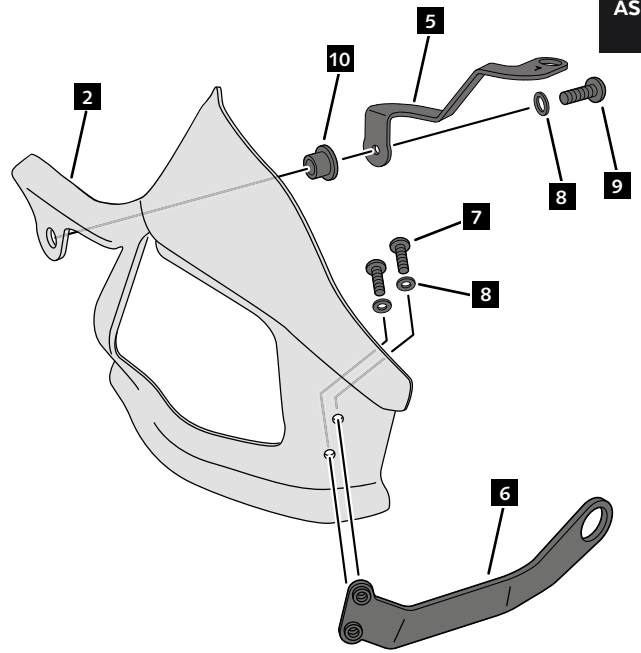
1

DISASSEMBLY



2

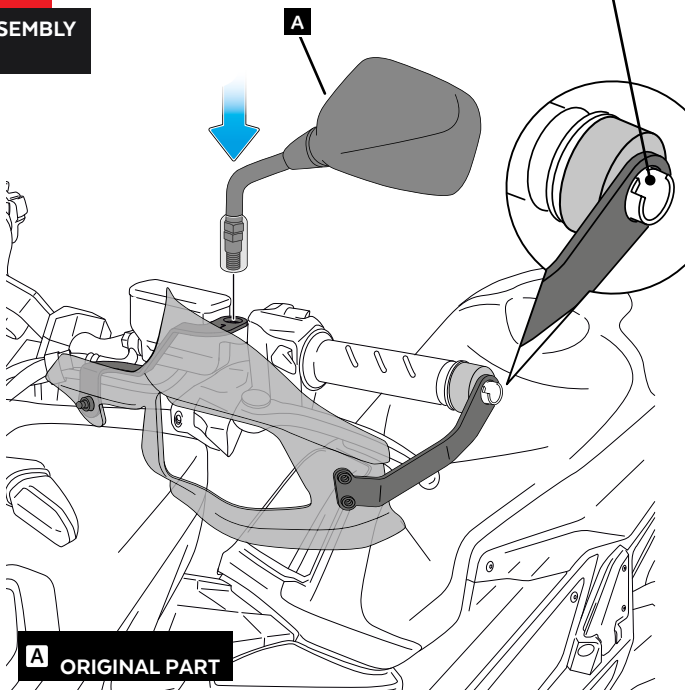
ASSEMBLY



3

ASSEMBLY

DO NOT REMOVE THIS PART



4

ASSEMBLY

