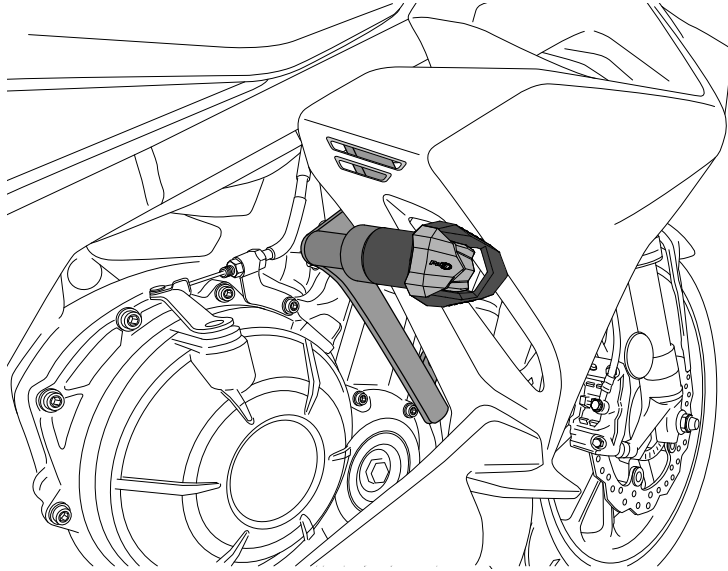


HONDA CBR500R '19

REF 3598N

R19 CRASH PADS



ID.	PART	DESCRIPTION	QTY.	REF.:
1		Covers set	2	TAPAPROTECR19-D/I
2		M10/150x90 DIN912 screw	1	TORNIAD912-0348
3		M10/150x100 DIN912 screw	1	TORNIAD912-0355
4		M10 DIN125/A washer	4	M2AM10DIN125AZB
5		R19 Nylon protector 85mm	2	PROTECNLR19-145
6		Right aluminum spacer (58mm)	1	CASQU107-1-1407
7		Left aluminum spacer (56mm)	1	CASQU469-0-1769
8		M10/150x50 DIN912 screw	2	TORNIAD912-0335
9		Right plate (Black)	1	PLATI376-1-0376
10		Left plate (Black)	1	PLATI377-0-0377
11		M10 DIN6923 nut	2	TUERCAD6923M10Z

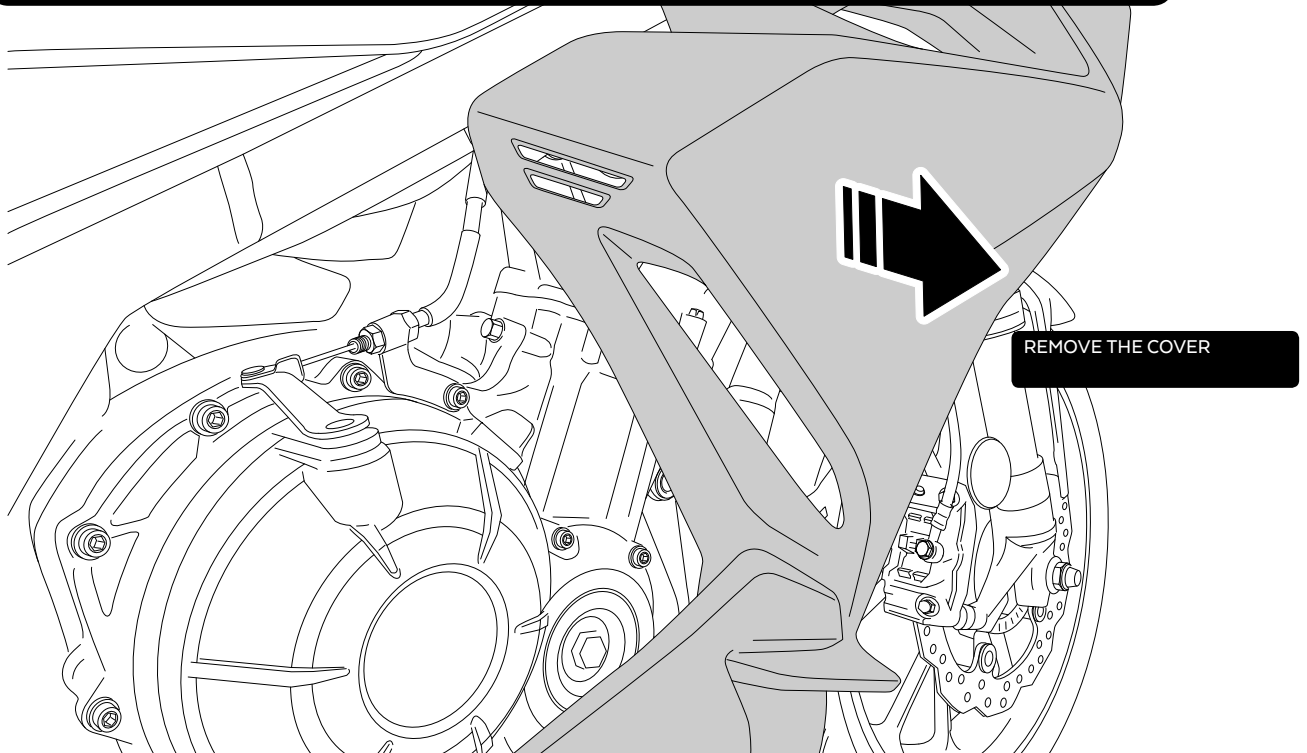
HONDA CBR500R '19

MOUNTING INSTRUCTIONS

1

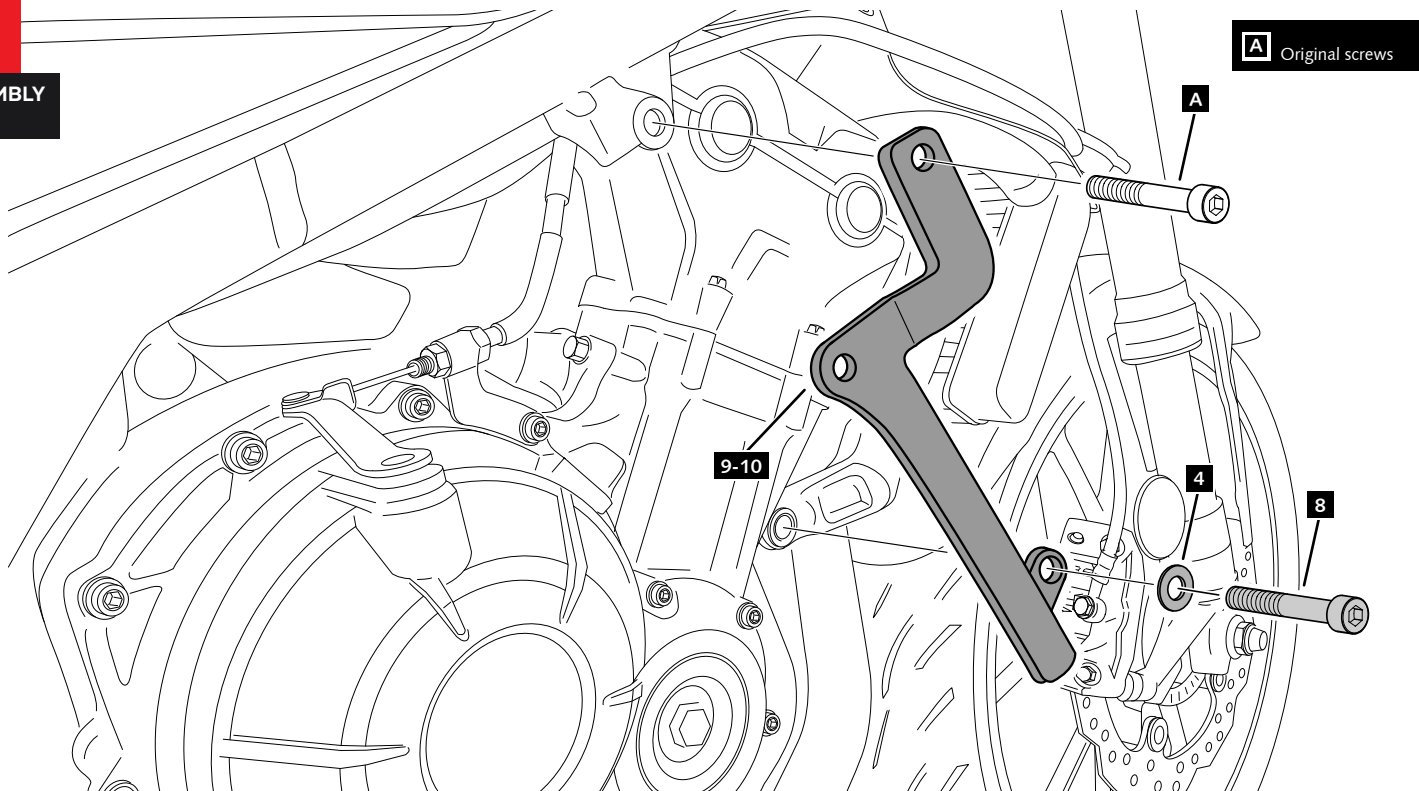
ASSEMBLY

The right side assembly is shown as an example, so the same steps can be performed for the left side assembly.



2

ASSEMBLY

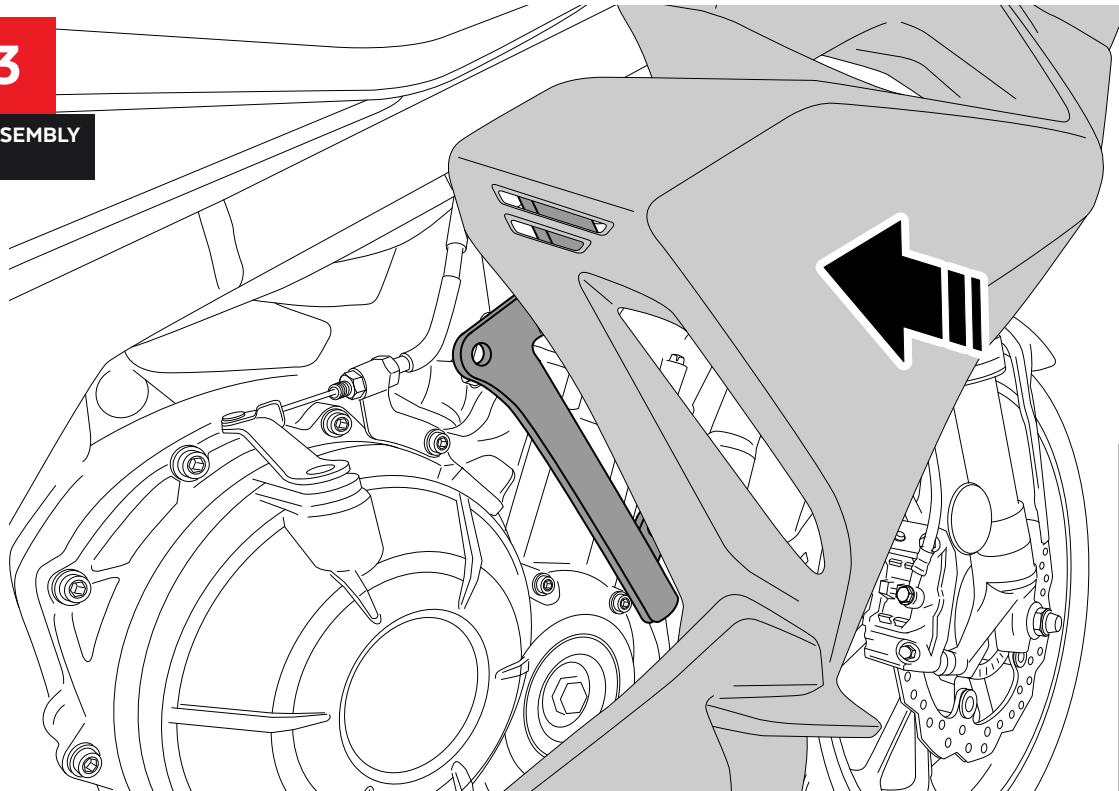


HONDA CBR500R '19

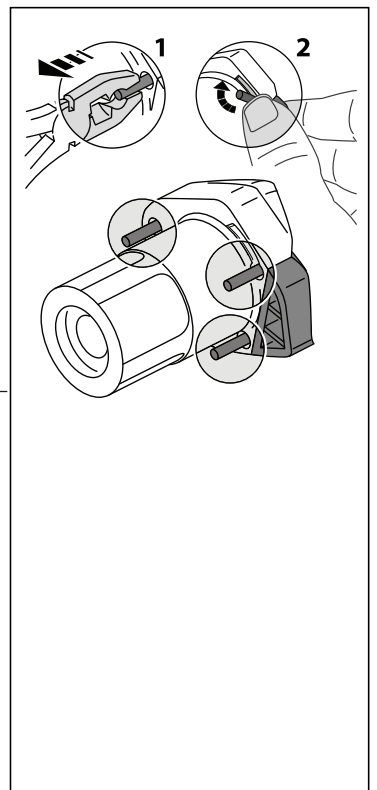
MOUNTING INSTRUCTIONS

3

ASSEMBLY



ASSEMBLE THE COVER



4

ASSEMBLY

