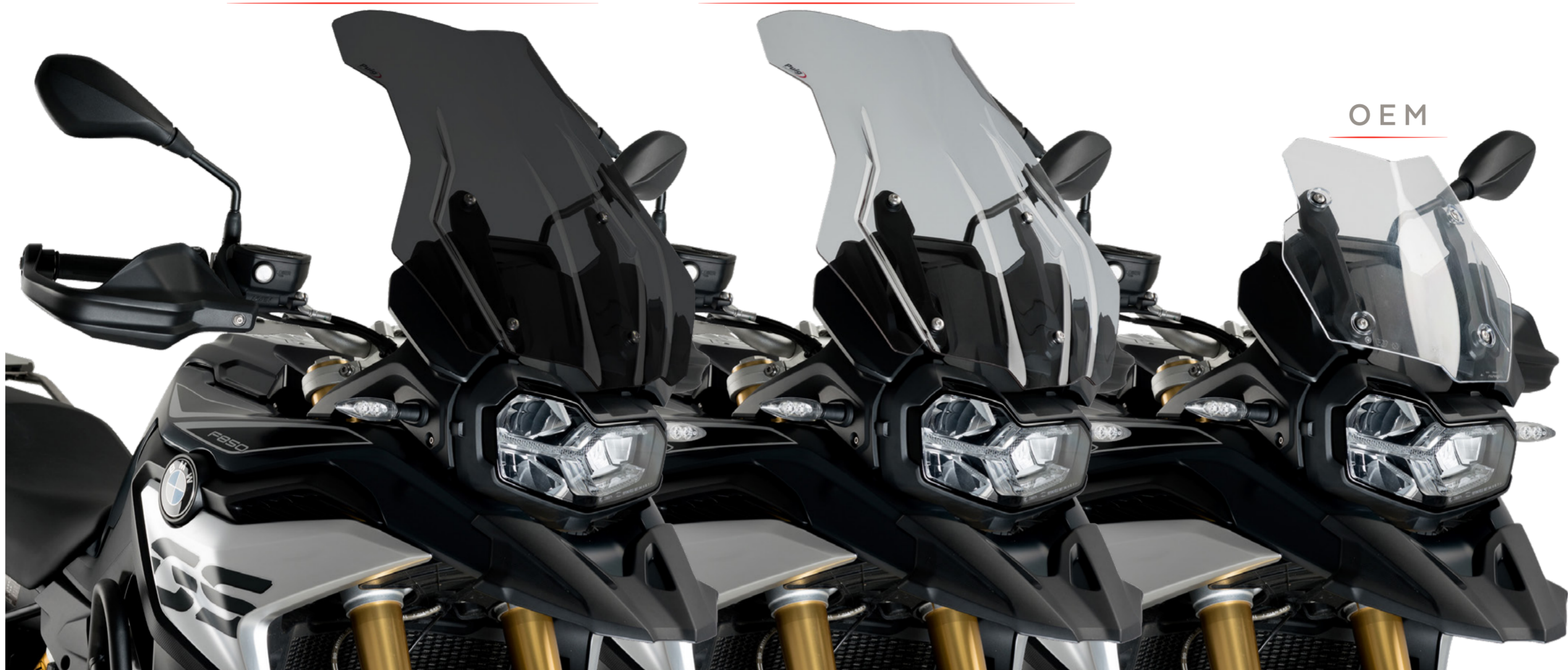
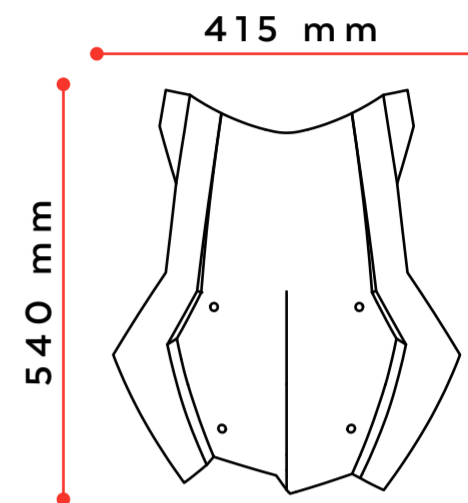


3595F +220 mm / +8,66 in

3595H +220 mm / +8,66 in



OEM



3595F +215 mm / +8,46 in

3595H +215 mm / +8,46 in



OEM

