

# UNIVERSAL

REF 3593

ALUMINUM FRONT PLATE - HEADLIGHT MOUNTING



1 Person



15 min



EASY



ALLEN N° 6  
N° 4  
N° 3



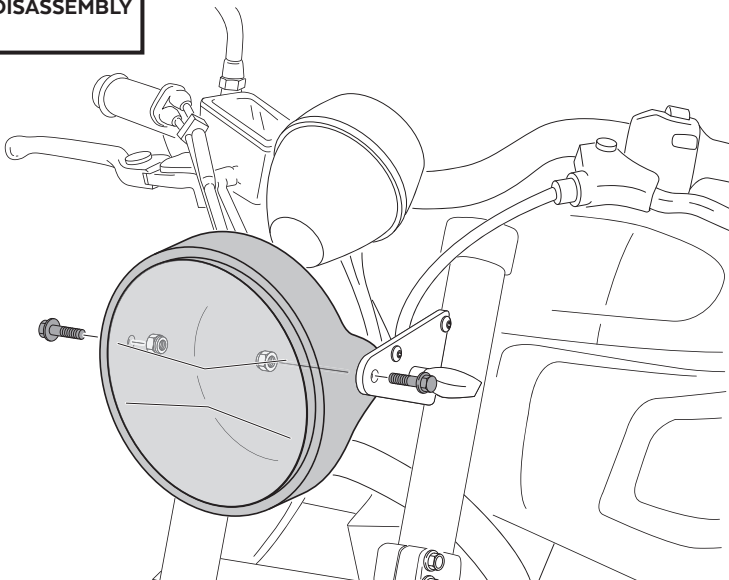
ID	PART	DESCRIPTION	QTY	REF
1		ALUMINUM front plate	1	9807P/N
2		M5 x16 Ø11 ISO7380 Inox Allen screw	2	TORNI-IA----423
3		M5 silentblock	2	SILENBTM5-046/1
4		M5x1 nylon washer	2	ARNV0000000245
5		Right universal support	1	SOPOR-2P-4-8833
6		Left universal support	1	SOPOR-2P-4-8833
7		Ø8,5 x Ø13 x 3,5 arrowhead	2	CASQUI-----775
		Ø8,5 x Ø13 x 6 arrowhead	2	CASQUI-----776
		Ø8,5 x Ø13 x 9 arrowhead	2	CASQUI-----777
8		M8 DIN 125 metalic washer	2	ARANDPD125A-018
9		DIN 933 M8x45 hexagonal screw	2	TORNIE845Z-0012
10		6,2x2 6mm trim length 190mm *ONLY FOR ALUMINUM FRONT PLATE (REF:9807)	1	PERFIL-PVC-1048
11		M5 ISO 7380 screw cap	2	TAPON-----85

# UNIVERSAL

## HEADLIGHT MOUNTING

**1**

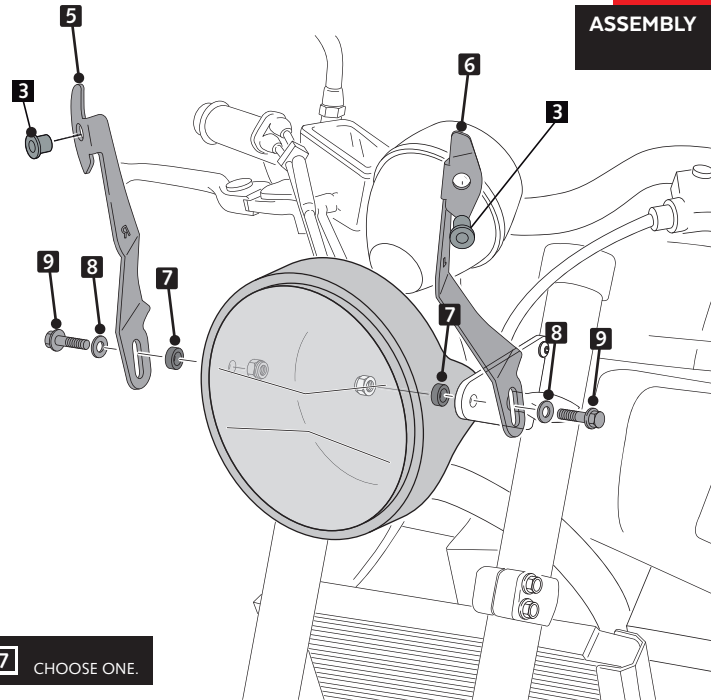
**DISASSEMBLY**



DEPENDING ON THE MOTORCYCLE MODEL MAY BE REQUIRED TO DISASSEMBLE THE HEADLIGHT

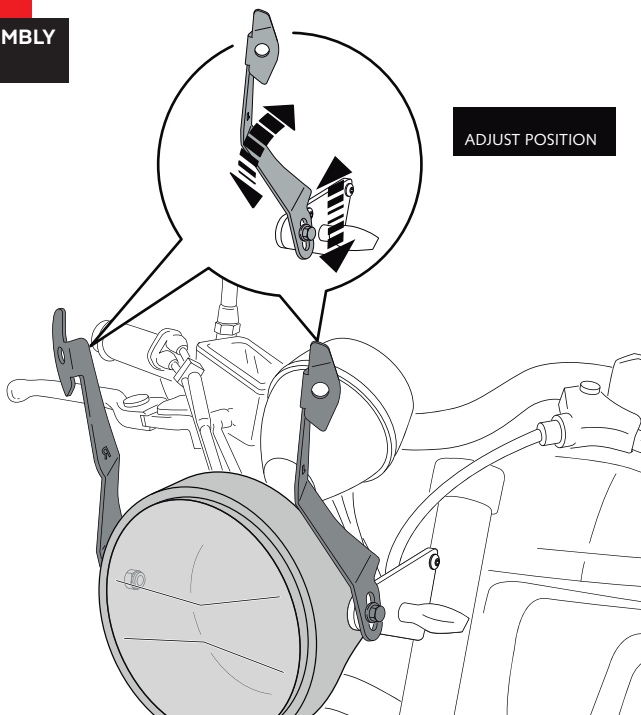
**2**

**ASSEMBLY**



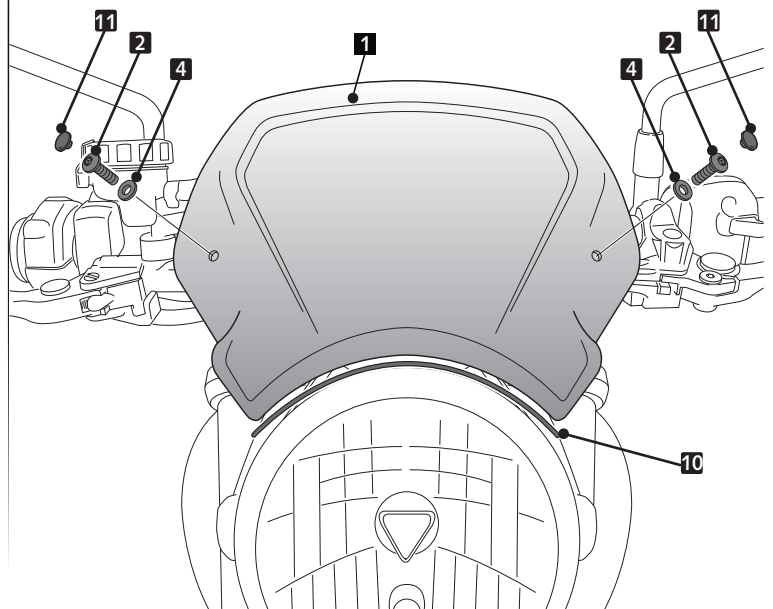
**3**

**ASSEMBLY**



**4**

**ASSEMBLY**

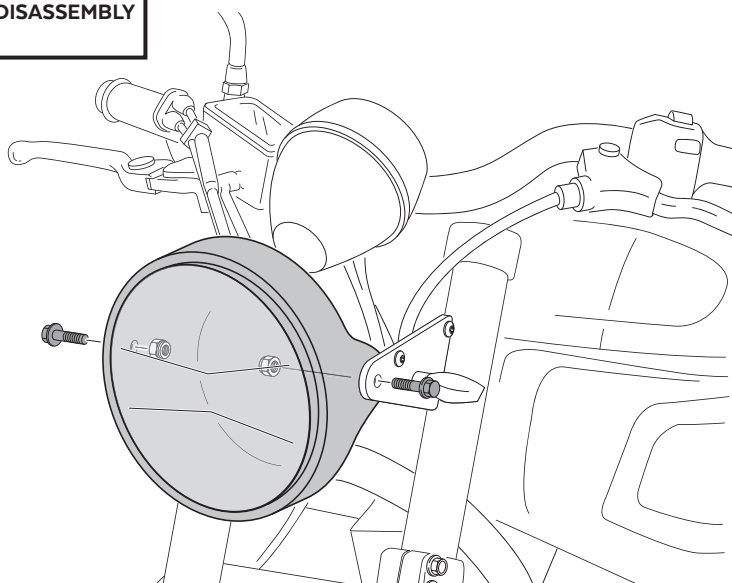


# UNIVERSAL

## HEADLIGHT MOUNTING

**1**

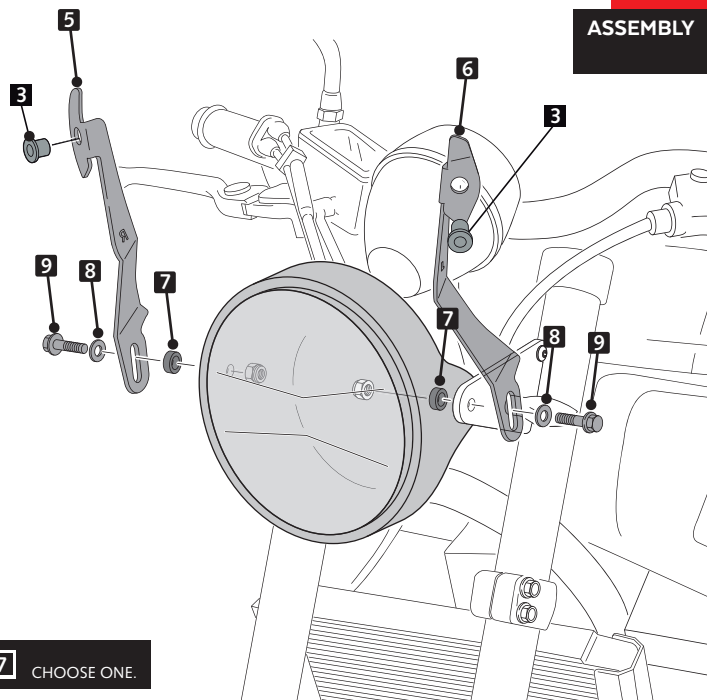
DISASSEMBLY



DEPENDING ON THE MOTORCYCLE MODEL MAY BE REQUIRED TO DISASSEMBLE THE HEADLIGHT

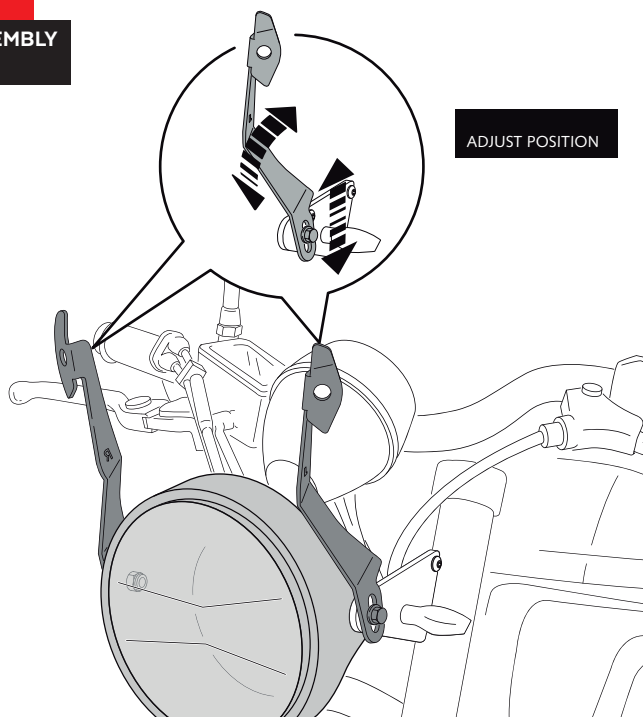
**2**

ASSEMBLY



**3**

ASSEMBLY



**4**

ASSEMBLY

