

UNIVERSAL

REF 3591

ABS FRONT PLATE - HEADLIGHT MOUNTING



1 Person















15 min



EASY



ALLEN N° 6
N° 4
N° 3

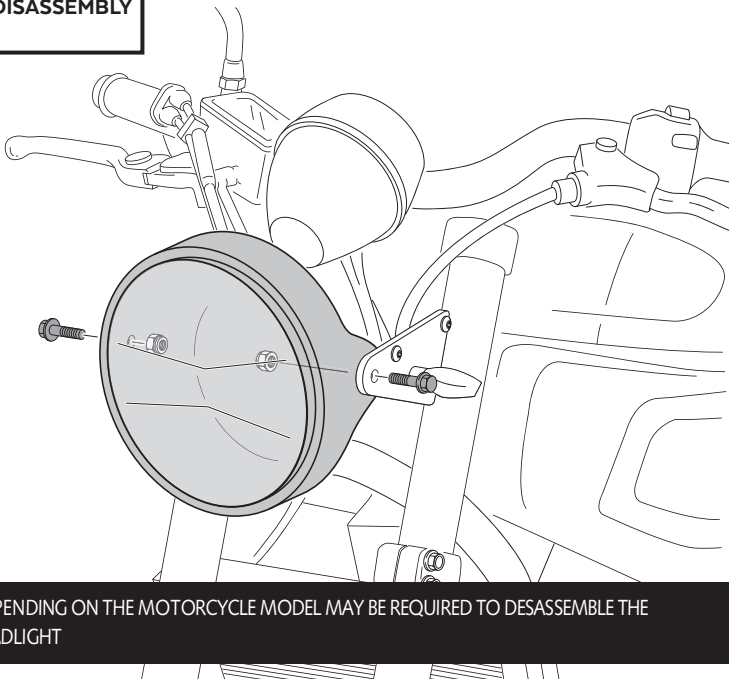
ID	PART	DESCRIPTION	QTY	REF
1		ABS front plate	1	10526J/CM3
2		M5 x16 Ø11 ISO7380 Allen screw	2	TORNI-I7380-493
3		M5 silentblock	2	SILENBTM5-046/1
4		M5x1 nylon washer	2	ARNV0000000245
5		Right universal support	1	SOPOR-2P-4-8833
6		Left universal support	1	SOPOR-2P-4-8833
7		Ø8,5 x Ø13 x 3,5 arrowhead	2	CASQUI-----775
		Ø8,5 x Ø13 x 6 arrowhead	2	CASQUI-----776
		Ø8,5 x Ø13 x 9 arrowhead	2	CASQUI-----777
8		M8 DIN 125 metallic washer	2	ARANDPD125A-018
9		DIN 933 M8x45 hexagonal screw	2	TORNIE845Z-0012
10	 1one	Sticker set	1	10535

UNIVERSAL

HEADLIGHT MOUNTING

1

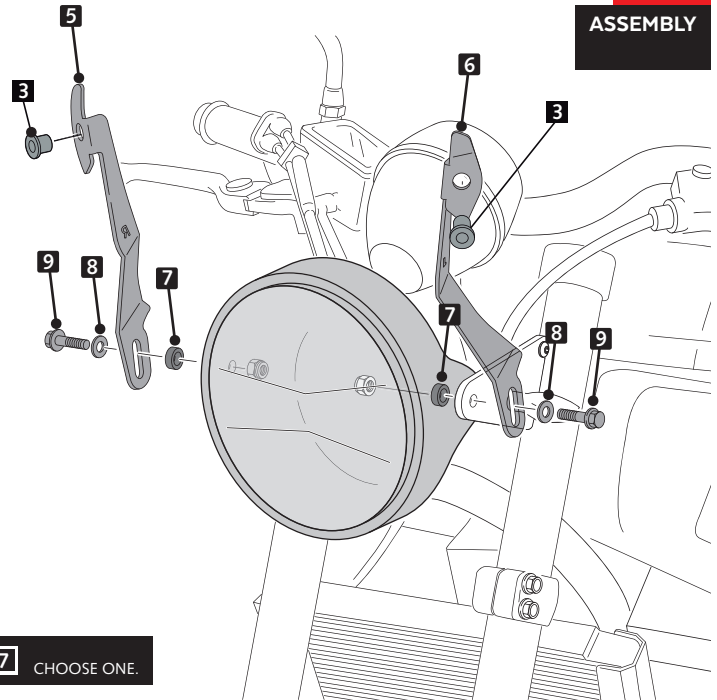
DISASSEMBLY



DEPENDING ON THE MOTORCYCLE MODEL MAY BE REQUIRED TO DISASSEMBLE THE HEADLIGHT

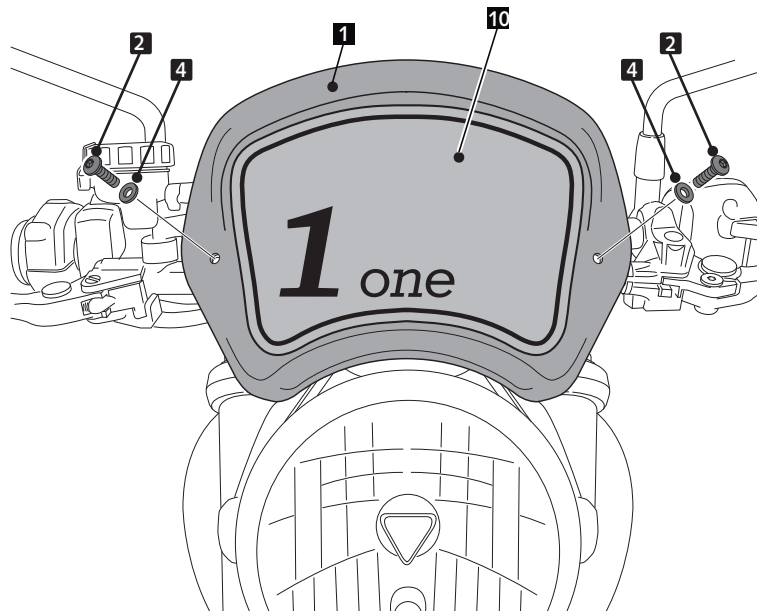
2

ASSEMBLY



3

ASSEMBLY



UNIVERSAL

HEADLIGHT MOUNTING

EXPLOTING

