

UNIVERSAL

REF 3590

ABS FRONT PLATE - FORK MOUNTING



1 Person



15 min

















EASY



ALLEN Nº 6
Nº 4
Nº 3



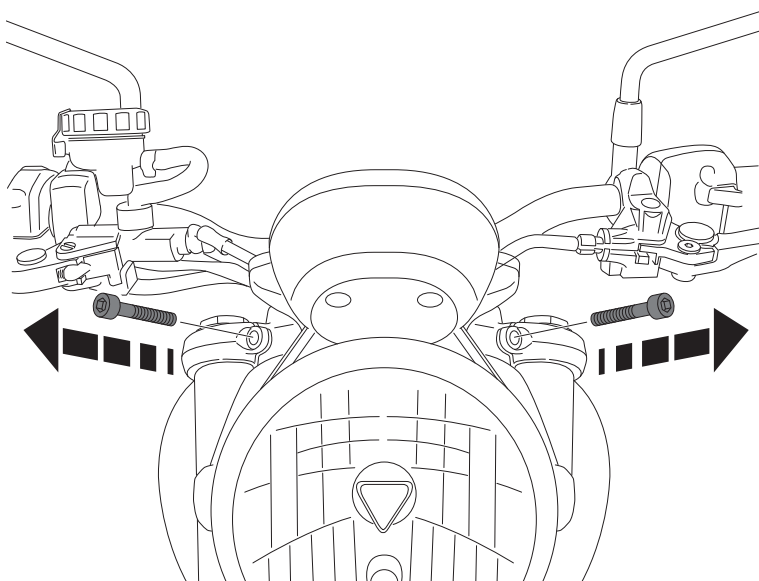
ID	PART	DESCRIPTION	QTY	REF
1		ABS front plate	1	10526J/CM3
2		Bracket	2	SOPORT30X30-581
3		Ø9 x200 Dispstick	2	VARILL205--0261
4		Bar cover	4	TOPEE-VPGT--8/4
5		M6x10 ISO7380 Allen screw	2	TORNI-I7380-402
6		M8x40 DIN 912 Allen screw	4	TORNI-D912-475
7		23 cylinder with drill through	2	CILINRTP---0217
8		M8x8 DIN 913 allen hexagonal screw	2	TORNIA88---0184
9		M6x0,5 nylon washer	2	ARANDEPNVCN0246
10		M8 Self-Locking nut	2	TUEA-D985.8-M8-
11		Dispstick bridle	2	FIXVARLL-0-PR16
12		Bridle-bracket locknut	2	FIXSOPOR-0-PR16
13		Ø8,5 x Ø13 x 15 arrowhead	2	CASQUI-M----614
14	 1^{one}	Sticker set	1	10535

UNIVERSAL

FORK MOUNTING

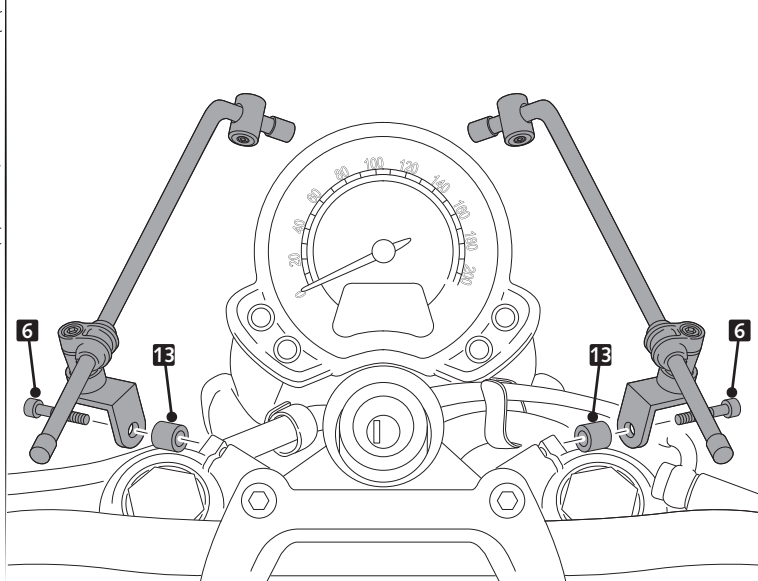
1

DISASSEMBLY



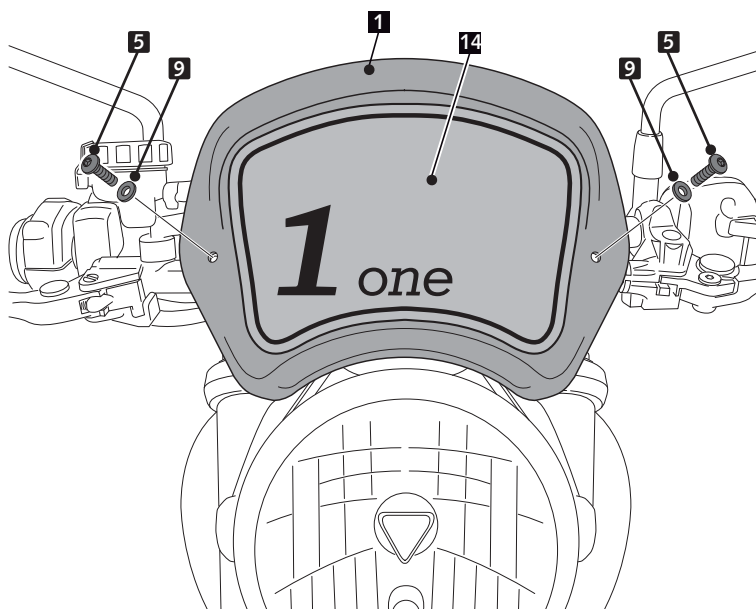
2

ASSEMBLY



3

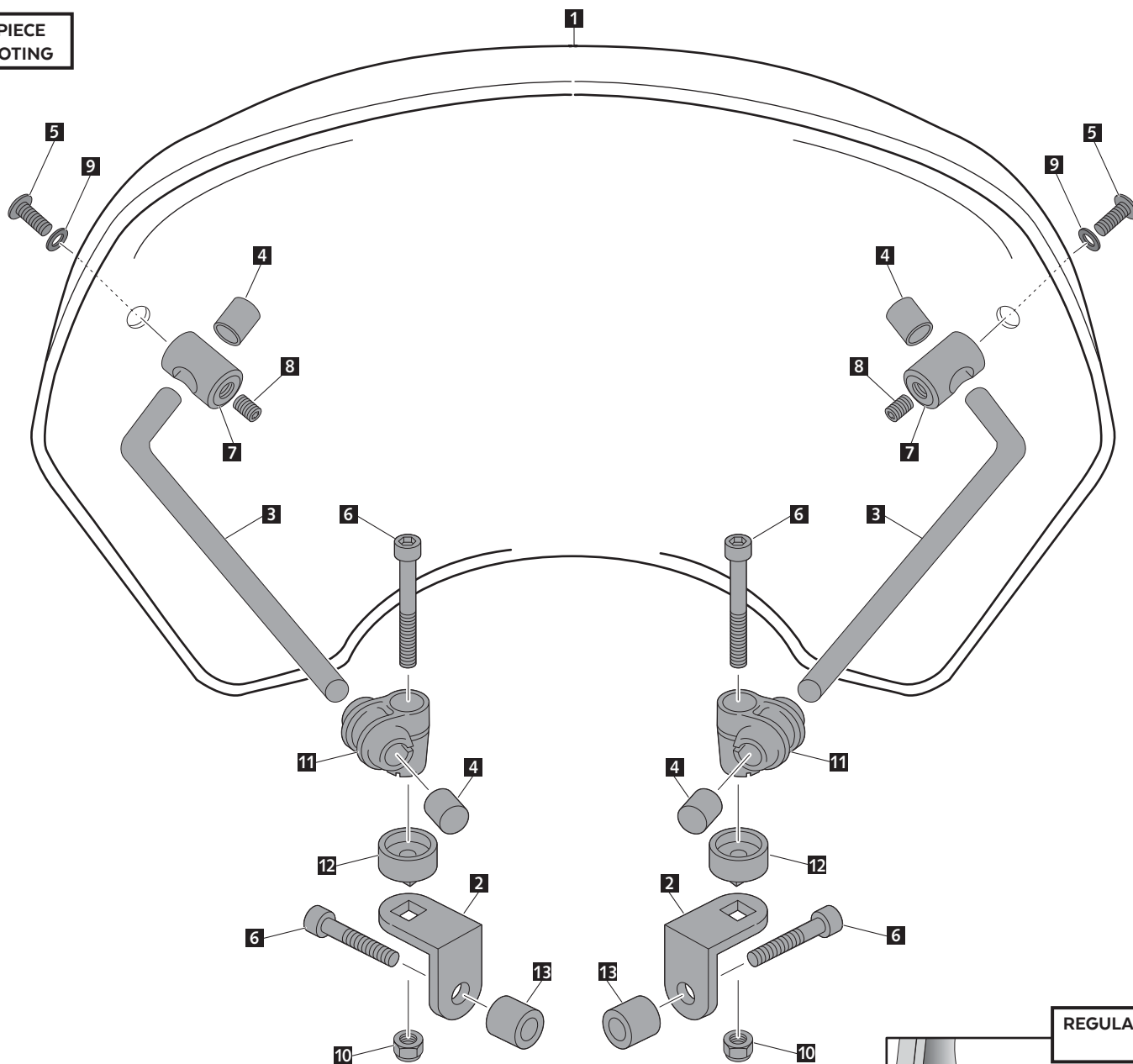
ASSEMBLY



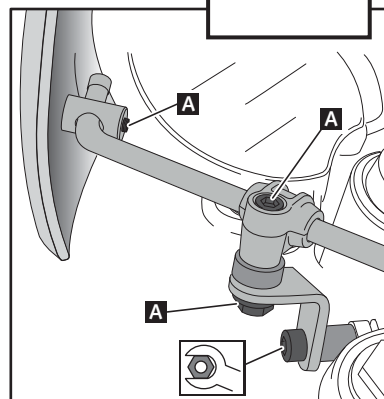
UNIVERSAL

FORK MOUNTING


DESPIECE
EXPLOTING



REGULACIÓN



A Adjust position of the supports on both sides and tight the fasteners indicated.

 - Tightening torque for screws nº 6 (23Nm).