

KTM
790 ADVENTURE '19- / 890 ADVENTURE '21-

M O U N T I N G I N S T R U C T I O N S

REF 3589

HANDGUARD EXTENSION



ROUNDED CONTOUR-PROFILE



ID	PART	DESCRIPTION	QTY	REF
1		Right original extension handguard	1	10687H/W/F/T
2		Left original extension handguard	1	10687H/W/F/T
3		Right metal support (R1)	1	SOPOR4P4R1-3589
4		Right metal support (R2)	1	SOPOR4P4R2-3589
5		Left metal support (L1)	1	SOPOR4P4L1-3589
6		Left metal support (L2)	1	SOPOR4P4L2-3589
7		M4 silentblock	2	SILENBTM4---062
8		M4x16 ISO7380 Allen screw (black)	2	TORNIAI7380-310
9		M4x10 ISO7380 Allen screw (black)	2	TORNI-I7380-645
10		Ø4,5 x Ø11 x 2mm rubber washer	2	ARAND-EPDM--722
11		M4x0,5 nylon washer	4	ARNV00000000311
12		Double-sided adhesive tape (supplied assembled)	2	ADHESI-----256
13		Stickers set (supplied assembled)	1	ADHESI-----257

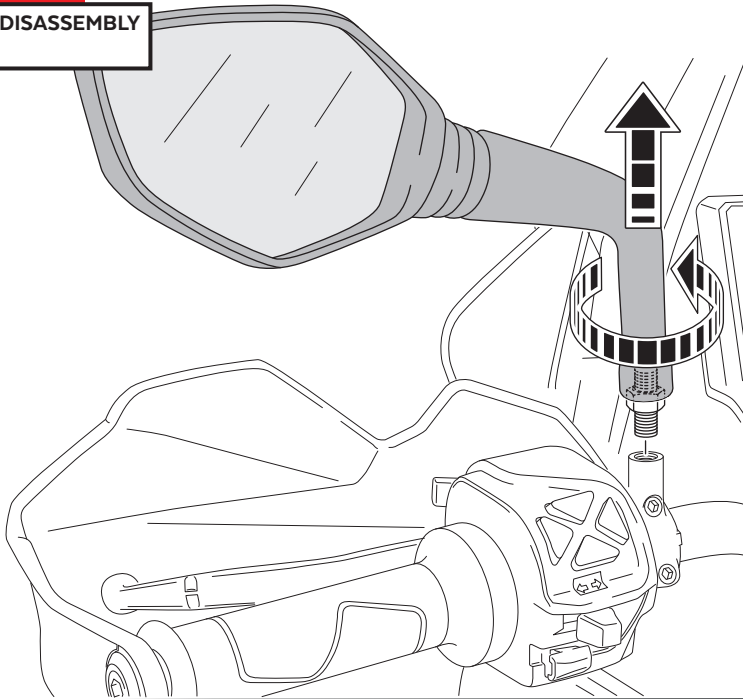
KTM
790 ADVENTURE '19- / 890 ADVENTURE '21-

MOUNTING INSTRUCTIONS

1

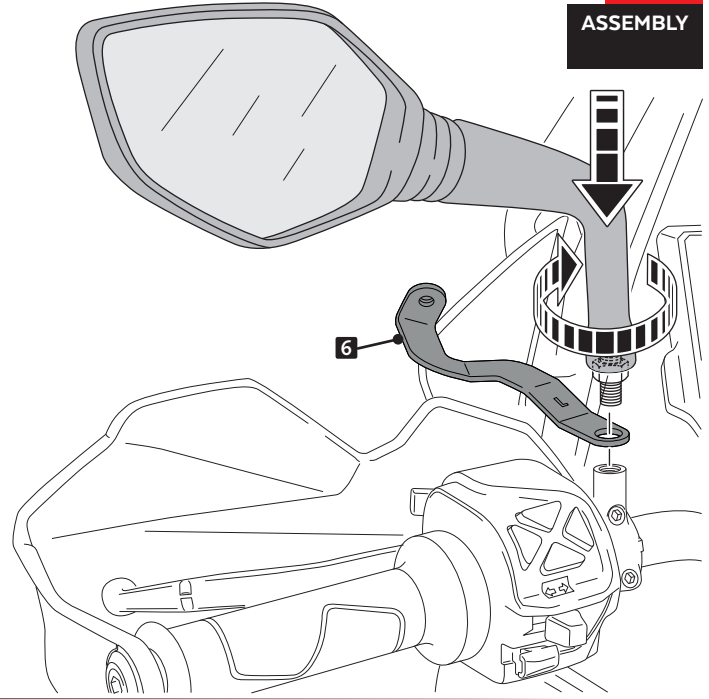
The left side assembly is shown as an example, so the same steps can be performed for the right side assembly.

DISASSEMBLY



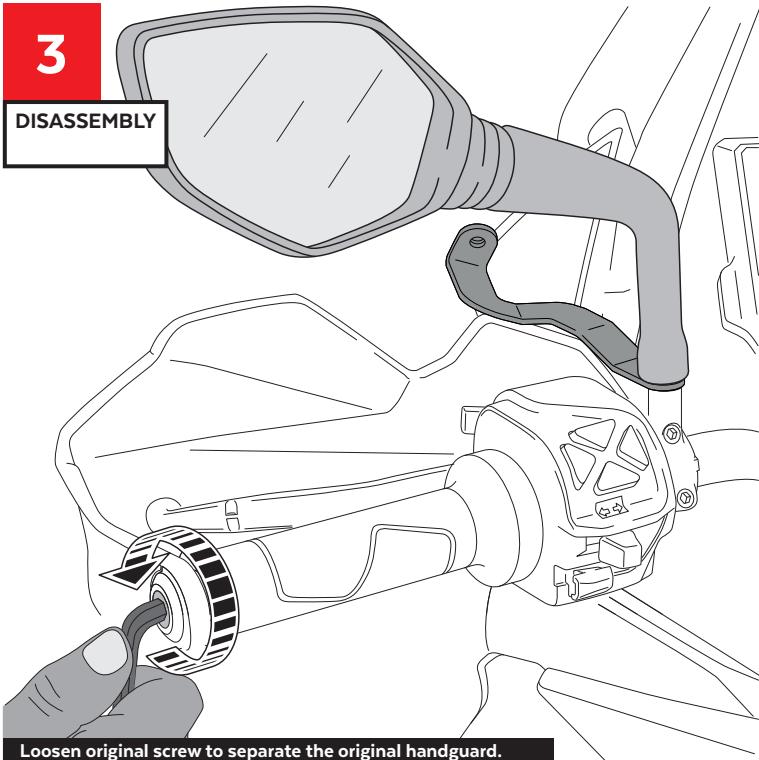
2

ASSEMBLY



3

DISASSEMBLY

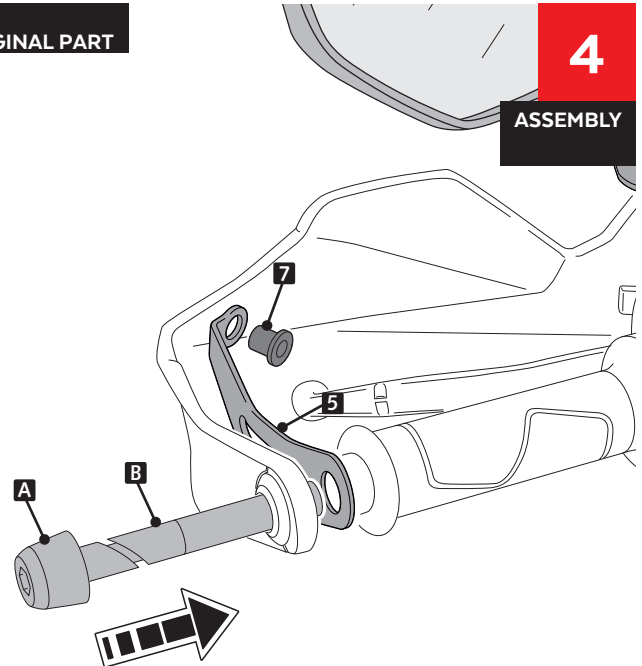


Loosen original screw to separate the original handguard.

A ORIGINAL PART

4

ASSEMBLY



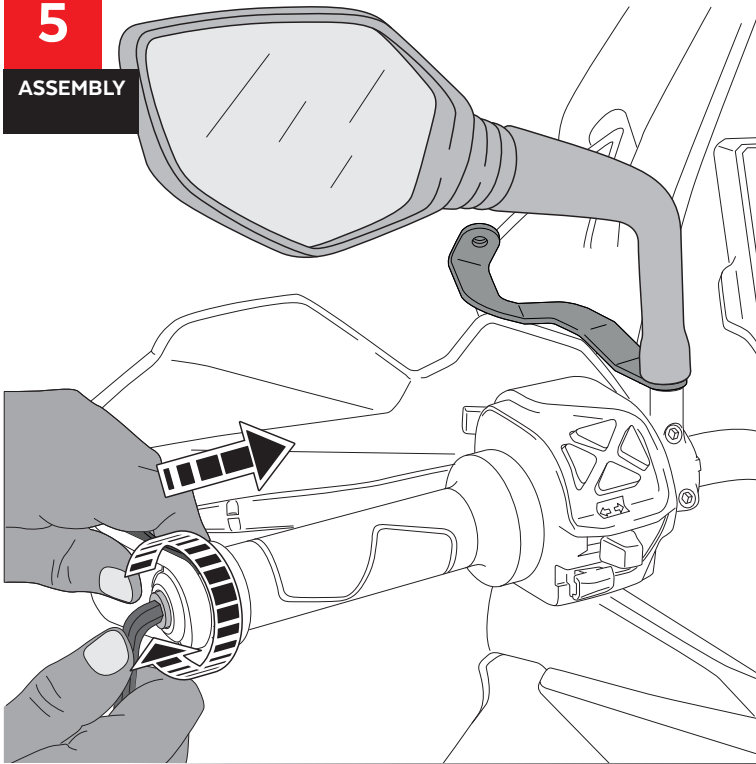
Insert support without separating parts (A+B) from the original KTM handguard.

KTM
790 ADVENTURE '19- / 890 ADVENTURE '21-

MOUNTING INSTRUCTIONS

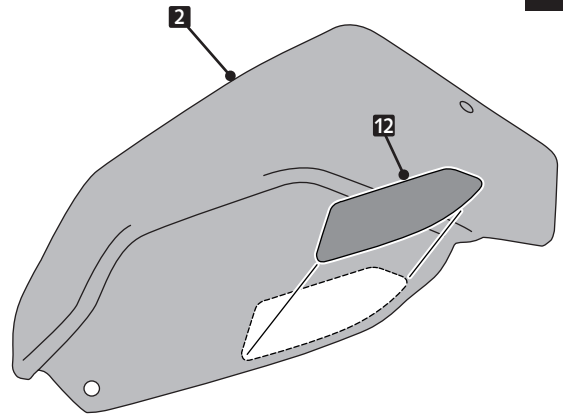
5

ASSEMBLY



6

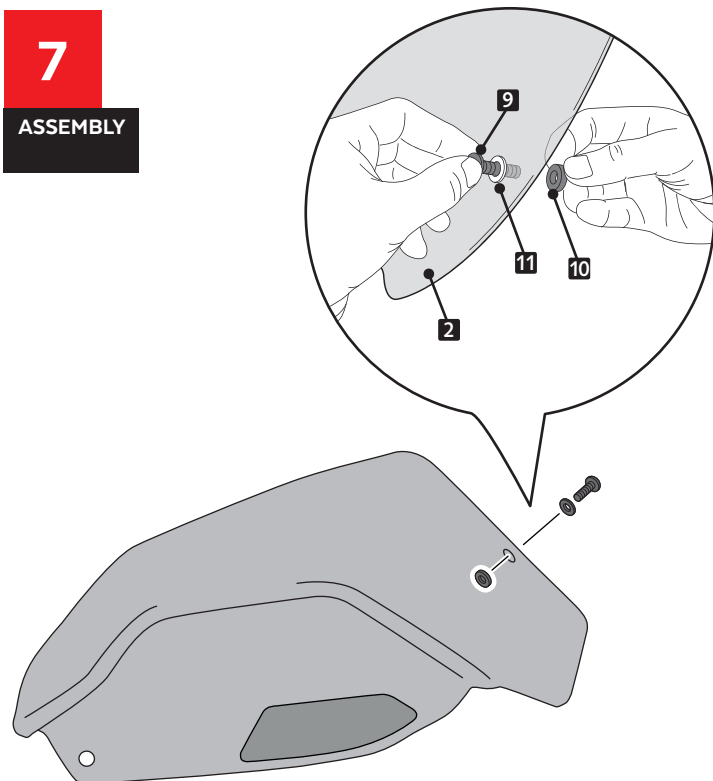
ASSEMBLY



Extract the paper from the double-sided adhesive.

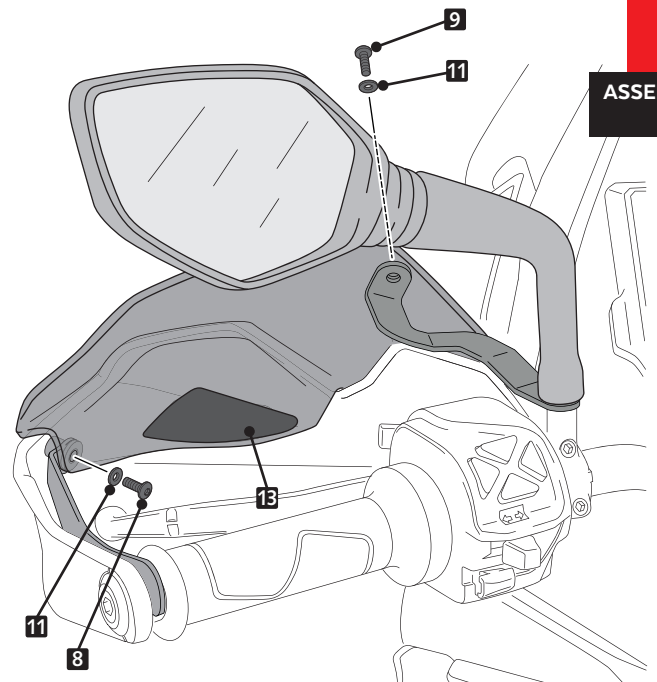
7

ASSEMBLY



8

ASSEMBLY



Press the area of the double-sided adhesive for a better fixation of the item (1/2) to the oem handguard.