

YAMAHA XT1200Z SUPER TÉNÉRÉ '10-

M O U N T I N G I N S T R U C T I O N S

REF 3584

BEAK EXTENDER (NOT COMPATIBLE WITH ORIGINAL ENGINE GUARDS)



1 Person



20 min



EASY

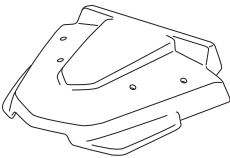
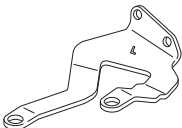
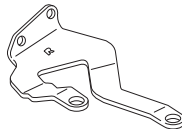








N° 10



ALLEN

N° 3
N° 5

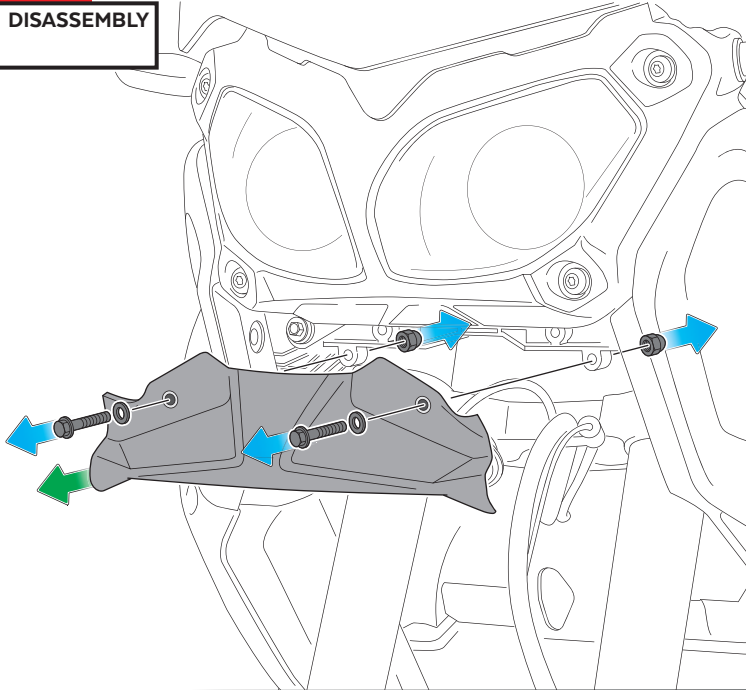
ID	PART	DESCRIPTION	QTY	REF
1		Beak	1	3584J
2		Left Support	1	SOPOR2P3-L-3584
3		Right Support	1	SOPOR2P3-R-3584
4		M5 silentblock	4	SILENBTM5-046/1
5		M5x16 Ø11 ISO 7380 screw	4	TORNI-I7380-493
6		M5x1 nylon washer	4	ARNV0000000245
7		M5 screw cap	4	TAPON-----85
8		M6x20 DIN912 screw	4	TORNI-AD912-489
9		M6 lock nut	4	TUERCA-D982-745

YAMAHA XT1200Z SUPER TÉNÉRÉ '10-

MOUNTING INSTRUCTIONS

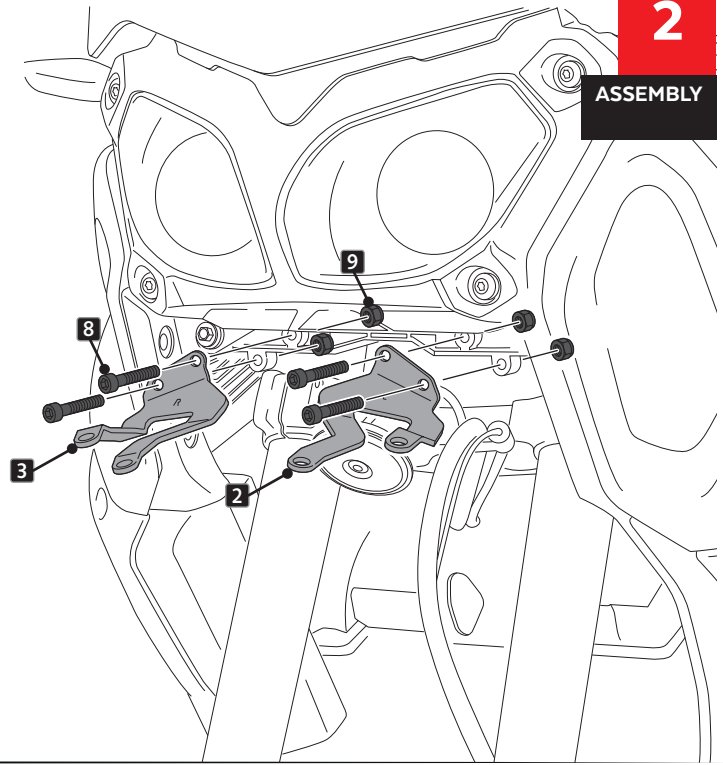
1

DISASSEMBLY



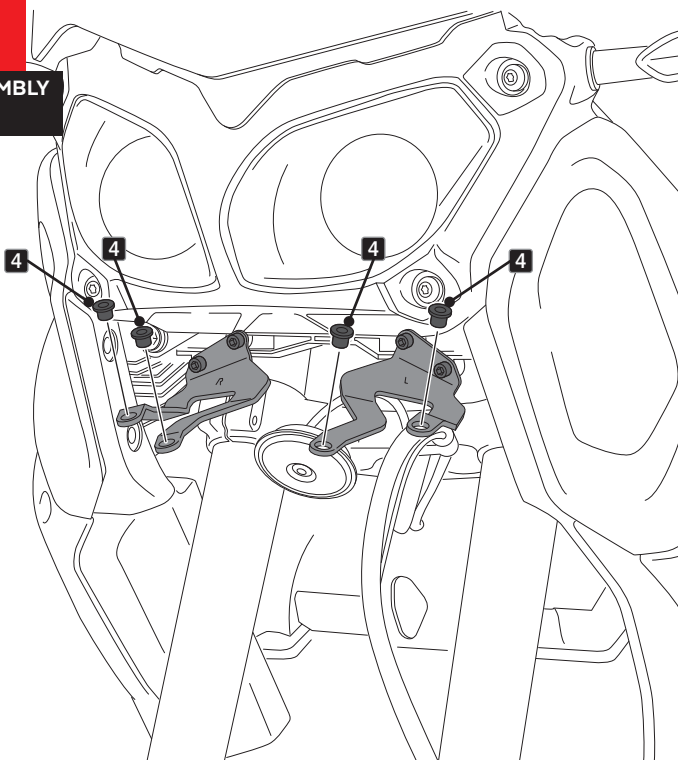
2

ASSEMBLY



3

ASSEMBLY



4

ASSEMBLY

