

YAMAHA XT1200Z SUPER TÉNÉRÉ '10-

M O U N T I N G I N S T R U C T I O N S

REF 3567

REAR MUDGUARD



1 Person



30 min



MEDIUM



FIX

N° 10
N° 13



ALLEN

N° 4
N° 6



ID.	PART	DESCRIPTION	QTY.	REF.:
1		Mudguard	1	3567J/CM3
2		Upper Support	1	SOPOR2P6--3567
3		Side Support	1	SOPOR2P6--3567
4		M8x40 DIN 912 12,9 screw	1	TORNI-D912--549
5		M8 DIN 125 metallic washer	1	ARANDPD125A-018
6		DIN 912 M6x30 screw	1	TORNI-D912--725
7		Ø8,5xØ14x15 bush	1	CASQUI81415-101
8		M6 lock nut	1	TUZBM6000000024
9		M6x16 Ø14 ISO7380 Allen screw	1	TORNI-I7380-403
10		M6x20 Ø14 ISO7380 Allen screw	3	TORNI-I7380-404
11		M6x25 Ø14 ISO7380 Allen screw	1	TORNI-I7380-405
12		Ø6,5xØ9x6,6 bush	4	CASQUI-----0046
13		Ø18xØ9xØ11x7,5 silentblock	4	SILENBGONE--064
14		Luck nut M6 (Supplied mounted)	3	TUERCAJFM6--716
15		M6 ISO 7380 screw cap	4	TAPON-----86

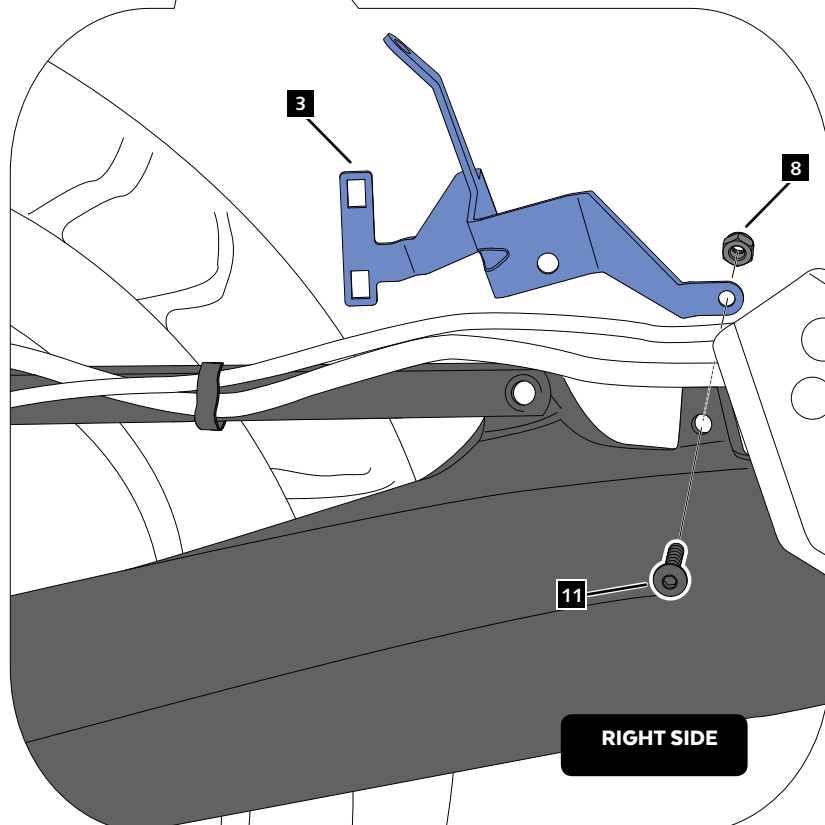
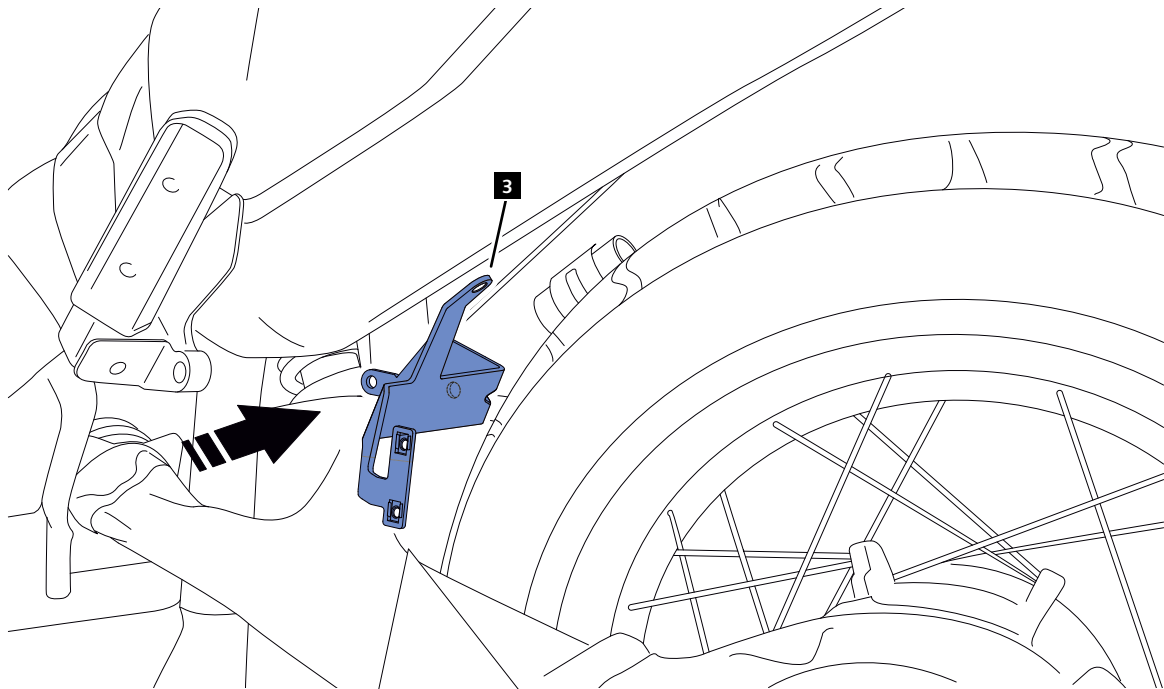
YAMAHA XT1200Z SUPER TÉNÉRÉ '10 -

MOUNTING INSTRUCTIONS

1

ASSEMBLY

LEFT SIDE



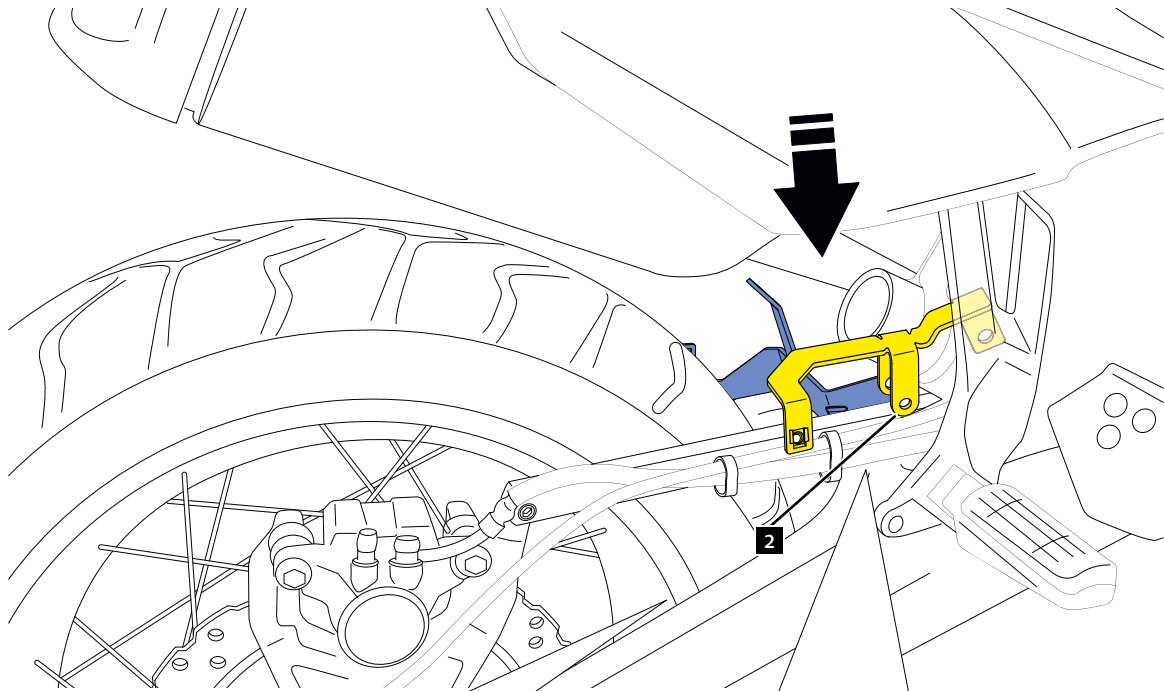
YAMAHA XT1200Z SUPER TÉNÉRÉ '10-

MOUNTING INSTRUCTIONS

2

ASSEMBLY

RIGHT SIDE

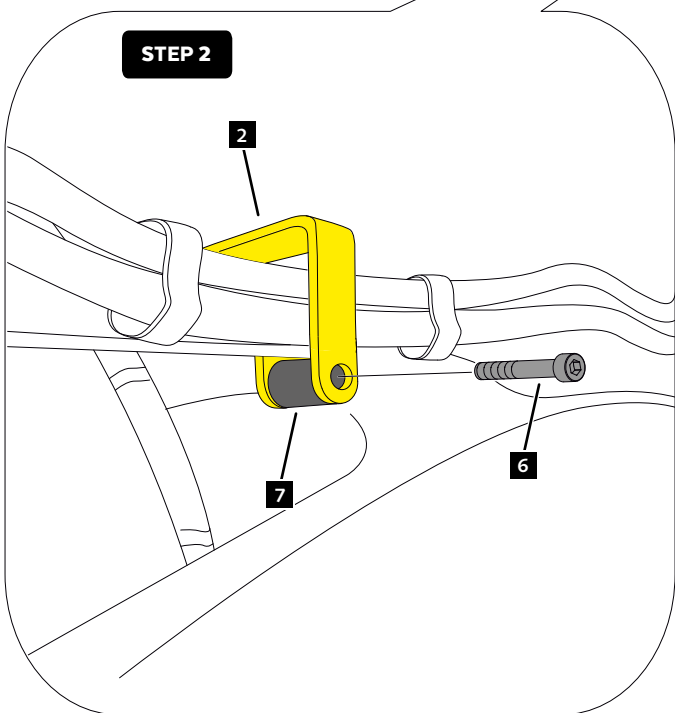


STEP 2

2

7

6



STEP 1

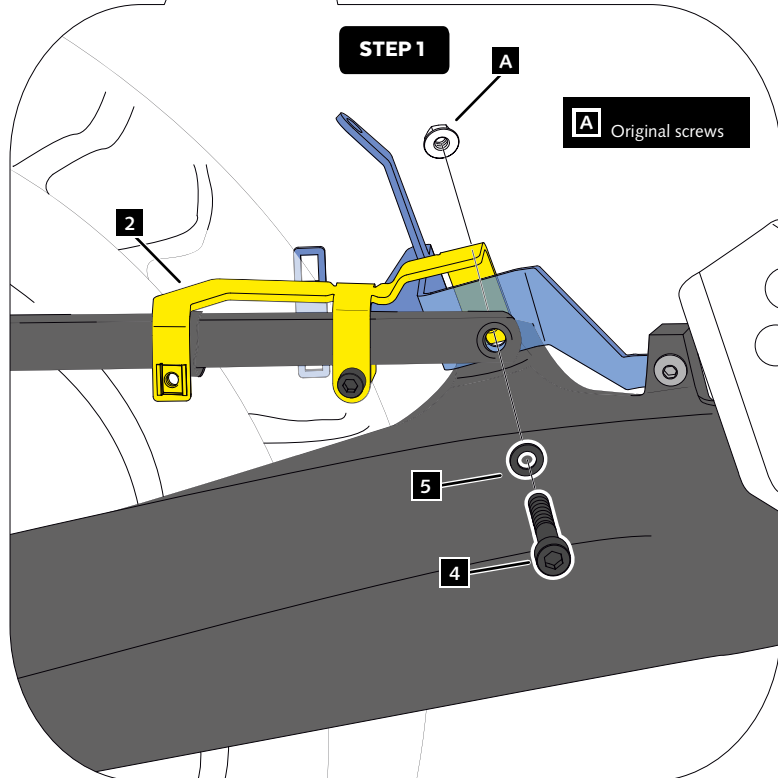
A

A Original screws

2

5

4



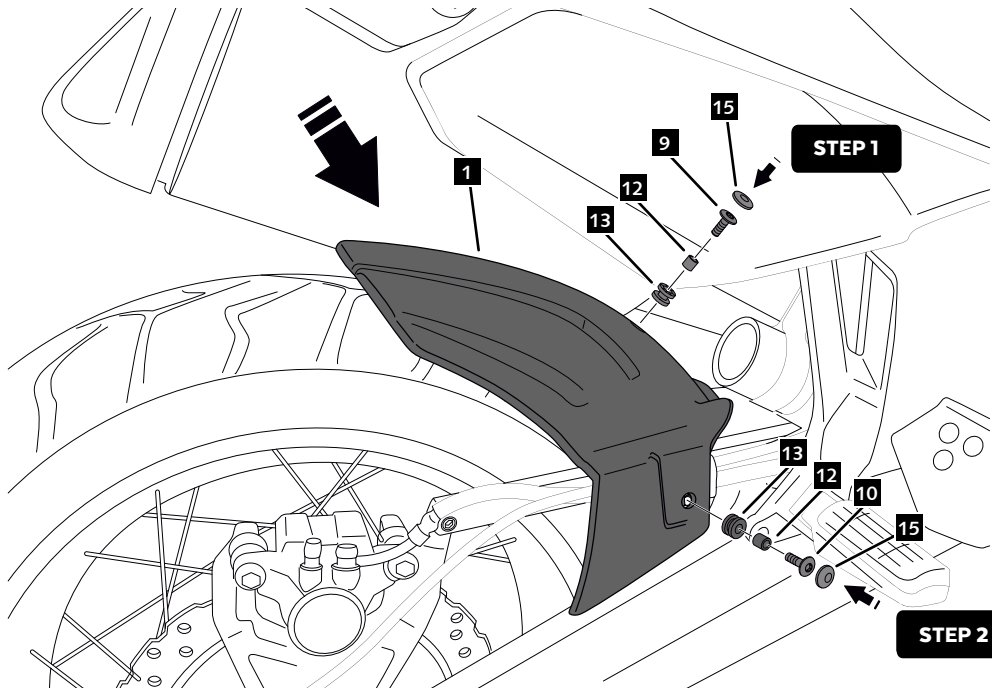
YAMAHA XT1200Z SUPER TÉNÉRÉ '10-

MOUNTING INSTRUCTIONS

3

ASSEMBLY

RIGHT SIDE



4

ASSEMBLY

LEFT SIDE

