

# KAWASAKI Z400 '19-

## M O U N T I N G I N S T R U C T I O N S

REF 3554

ENGINE SPOILER



TÜV

RATCHET



N° 8

ALLEN



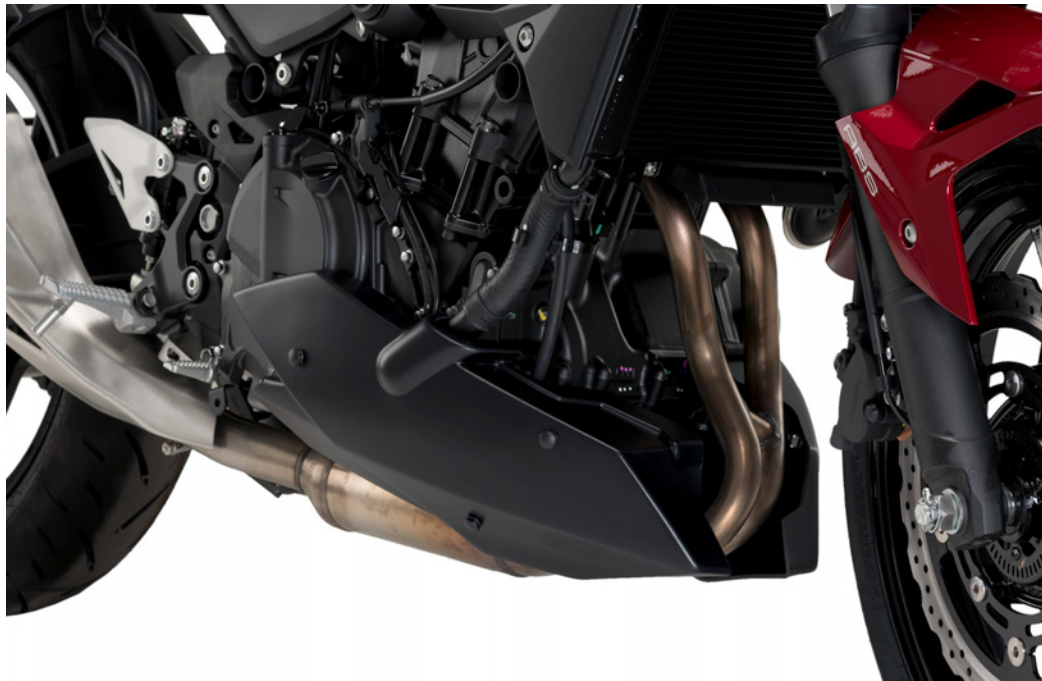
N° 3



30 min



EASY



ID.	PART	DESCRIPTION	QTY.	REF.:
1		Right engine spoiler	1	3554J/CM3
2		Left engine spoiler	1	3554J/CM3
3		Left support	1	SOPOR2P5-L-3554
4		Right support	1	SOPOR2P5-R-3554
5		Lock nut M5 (Supplied mounted)	6	TUERCAJFM5-0373
6		M5x16 Ø11 ISO 7380 Allen Screw	6	TORNI-I7380-493
7		Ø12xØ6x9 silentblock	6	AROPASACABLES-1
8		Ø12xØ6,8x7,3 bush with flange	6	CASQUI-1A---750
9		M5 ISO7380 screw cap	6	TAPON-----85

# KAWASAKI Z400 '19-

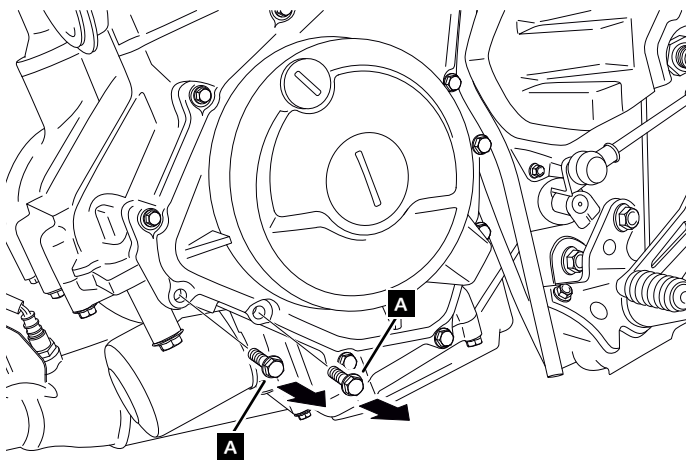
## MOUNTING INSTRUCTIONS

**1**

LEFT SIDE

DISASSEMBLY

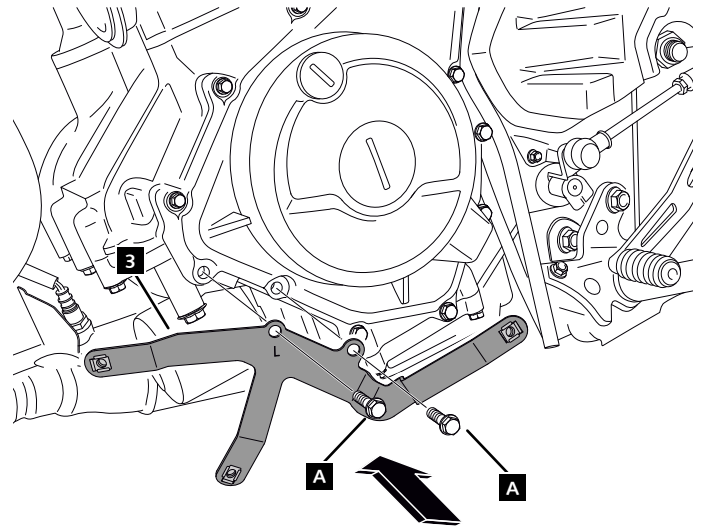
**A** Original screws



**2**

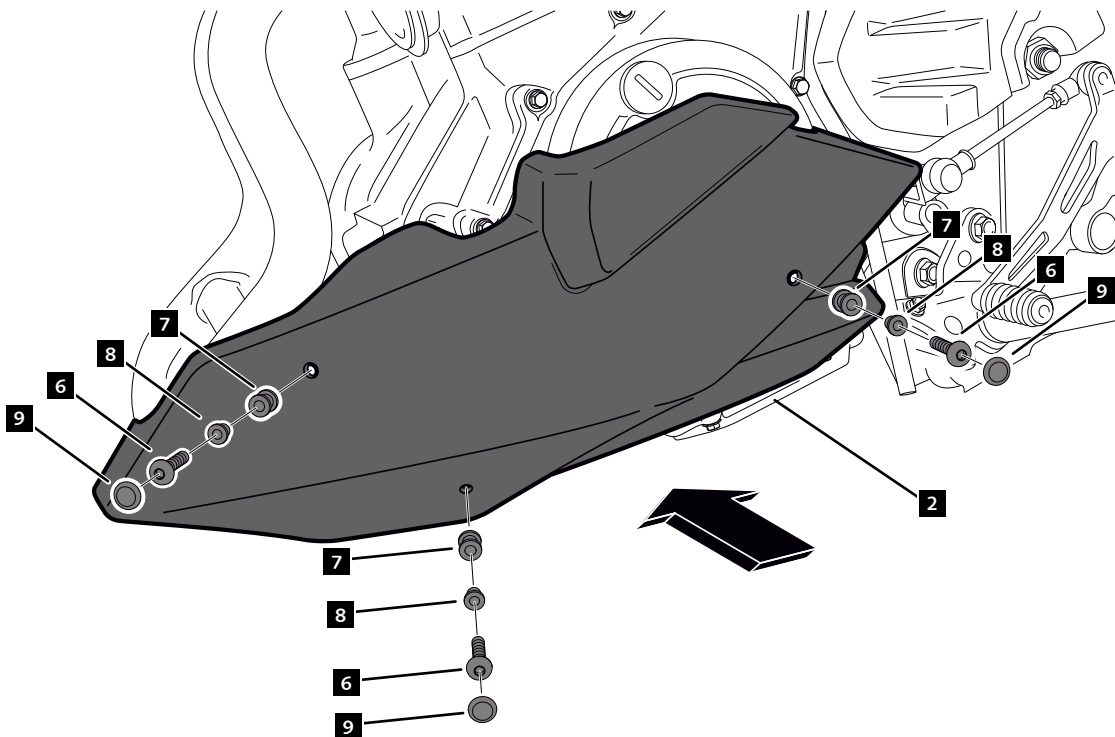
ASSEMBLY

**A** Original screws



**3**

ASSEMBLY



# KAWASAKI Z400 '19-

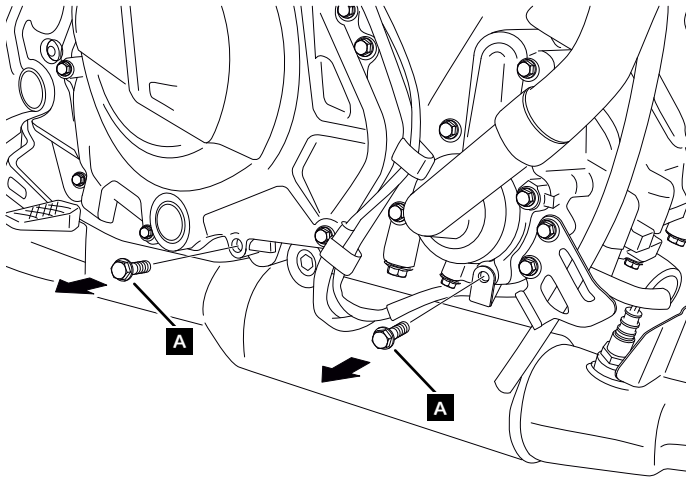
## MOUNTING INSTRUCTIONS

**4**

RIGHT SIDE

DISASSEMBLY

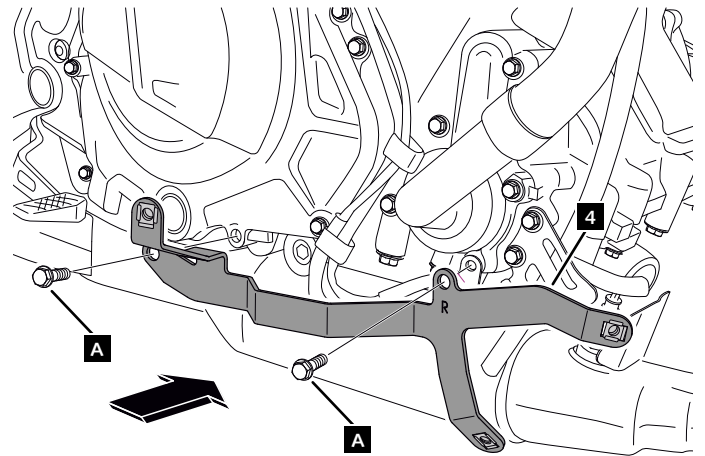
**A** Original screws



**5**

ASSEMBLY

**A** Original screws



**6**

ASSEMBLY

