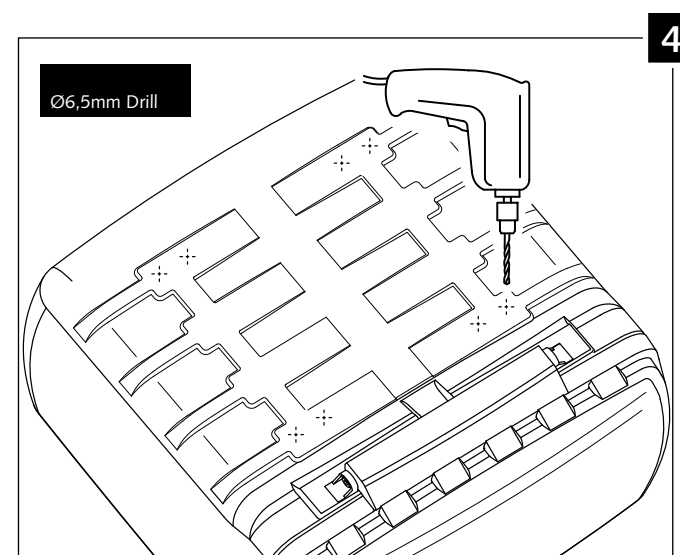
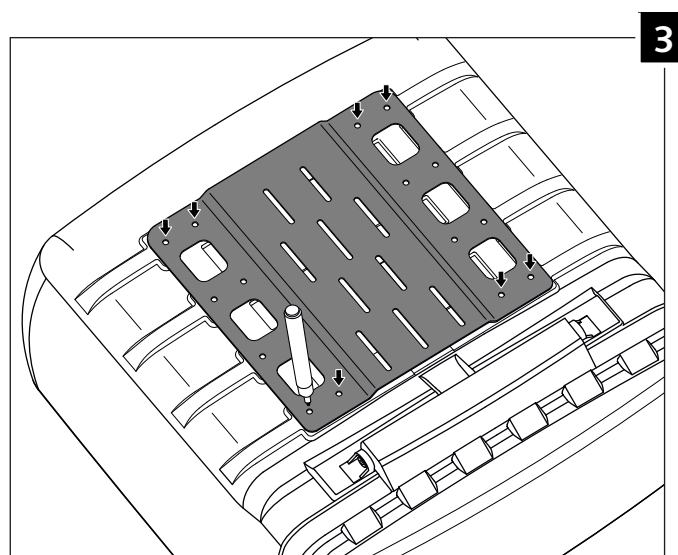
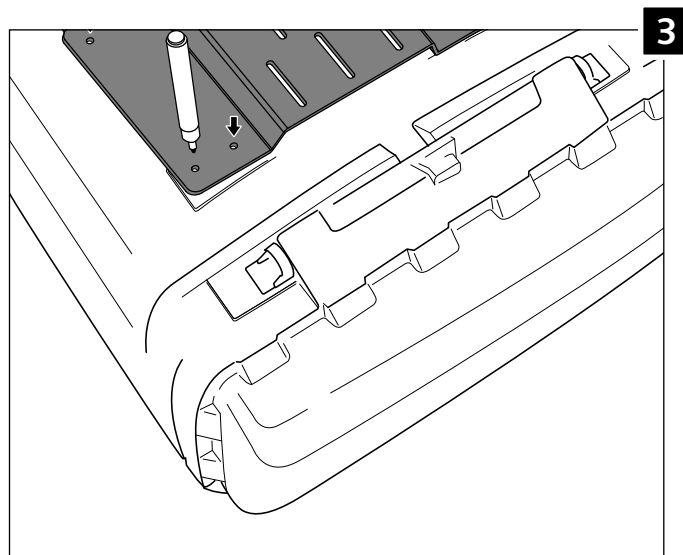
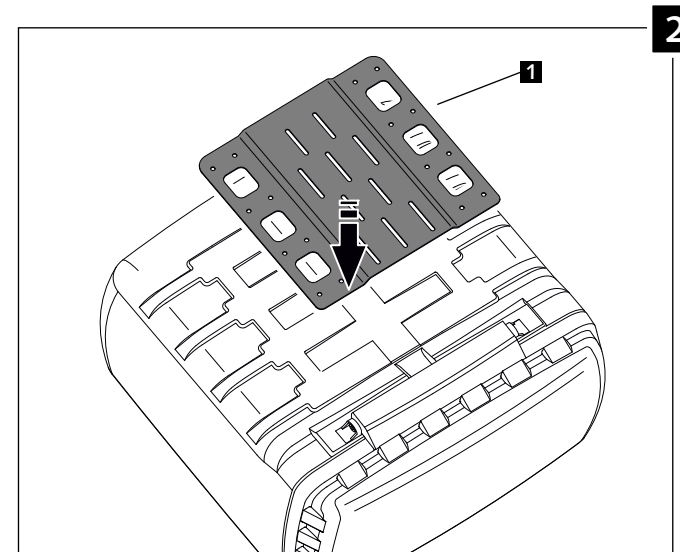
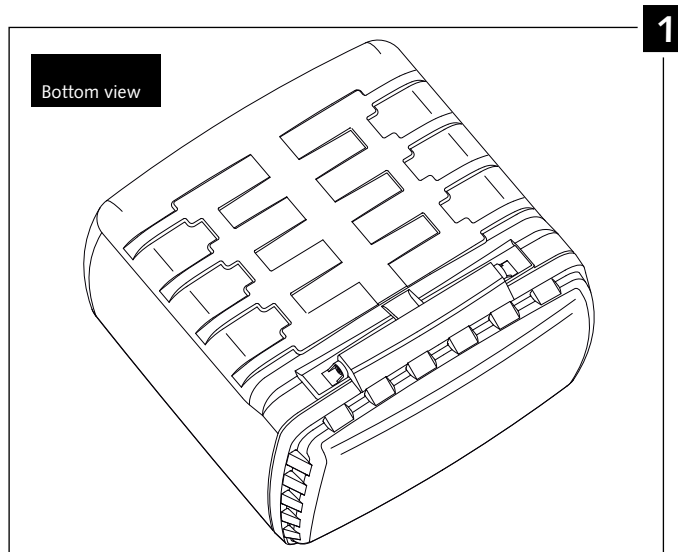


MOUNTING INSTRUCTIONS

METALLIC BASE FOR SUITCASE 2328/3108

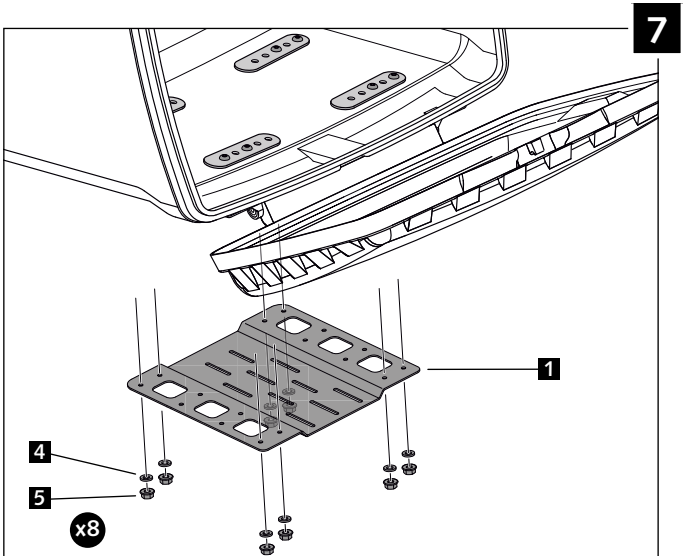
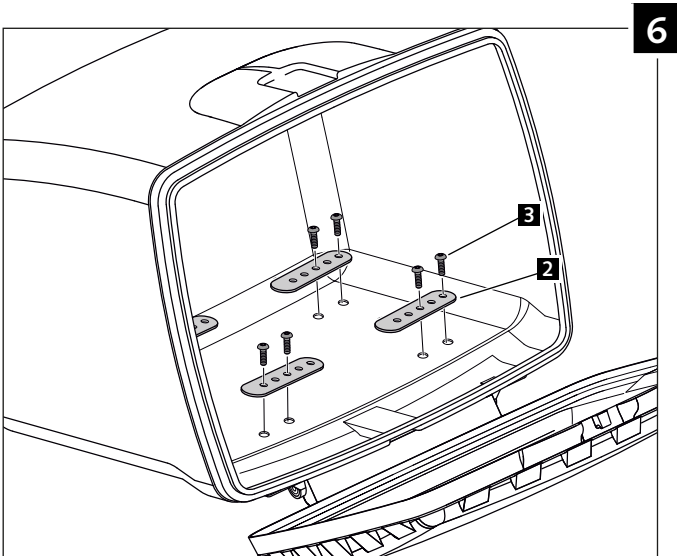
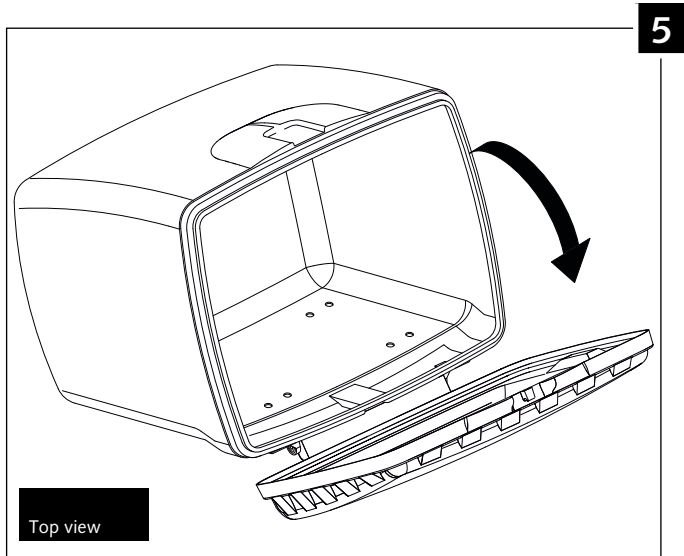
Ref.: 3506N



MOUNTING INSTRUCTIONS

METALLIC BASE FOR SUITCASE 2328/3108

Ref.: 3506N



MOUNTING INSTRUCTIONS
 If you are not mechanical, please contact a specialist workshop. MOTOPLASTIC no responsibility for damage caused by incorrect assembly of the product.

ID.	DESCRIPTION	QTY.
1	Rack	1
2	Plates (Supplied with the suitcase)	4
3	M6x20 DIN1001 screw	8
4	M6 DIN125/A washer	8
5	M6 DIN6923 nut	8