

HONDA MONKEY 125 '18-

M O U N T I N G I N S T R U C T I O N S

REF 3504

ABS FRONT PLATE

REF 3505

ALUMINUM FRONT PLATE



1 Person



15 min



EASY



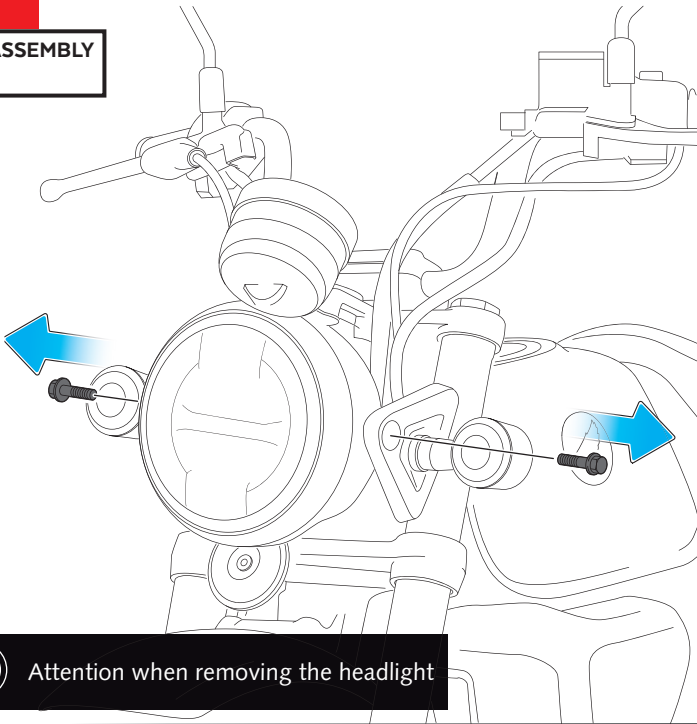
ID	PIEZA/PART	DESCRIPTION	QTY	REF
1		ABS front plate	1	3504J/C
		Aluminum front plate		3505P/N
2		Right support	1	SOPOR2P1-R-3504
3		Left support	1	SOPOR2P1-L-3504
4		M5 silentblock	2	SILENBTM5-046/1
5		M5x1 nylon washer	2	ARNV0000000245
6		M5 screw cap	2	TAPON-----85
7		M5x16 Ø11 ISO 7380 Allen screw (Inox)	2	TORNI-IA----423
8		Ø8 x 2 silicon spacers (supplied already mounted on items 2/3)	4	ADHESI-GT-D8---
9		DIN933 M6x35 screw	2	TORNI-D933--490
10		M6 DIN 125 washer	2	ARANDEPD125-054
11		Ø8,5 x Ø13 x 15 Arrowhead	2	CASQUI-M----614
12		Ribete autoadhesivo: longitud de 190mm , 6,2 X 2,6mm *ONLY FOR ALUMINUM FRONT PLATE (REF:9807)	1	PERFIL-PVC-1048
13		Sticker set	1	10535

HONDA MONKEY 125 '18-

MOUNTING INSTRUCTIONS

1

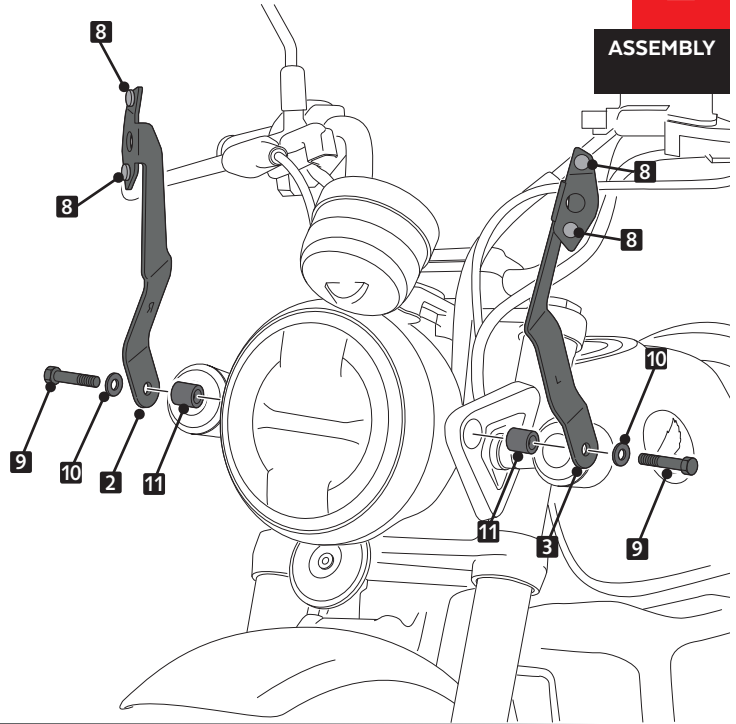
DISASSEMBLY



Attention when removing the headlight

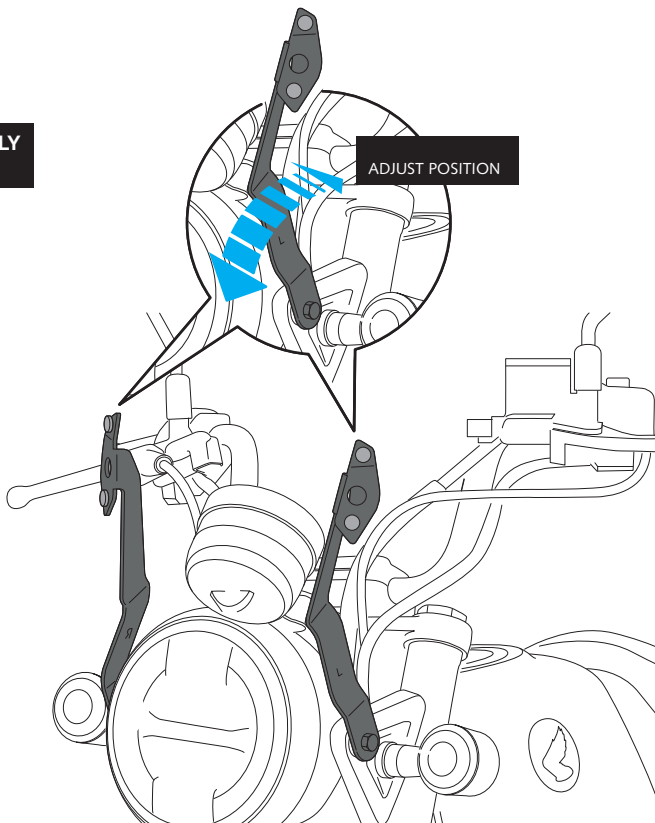
2

ASSEMBLY



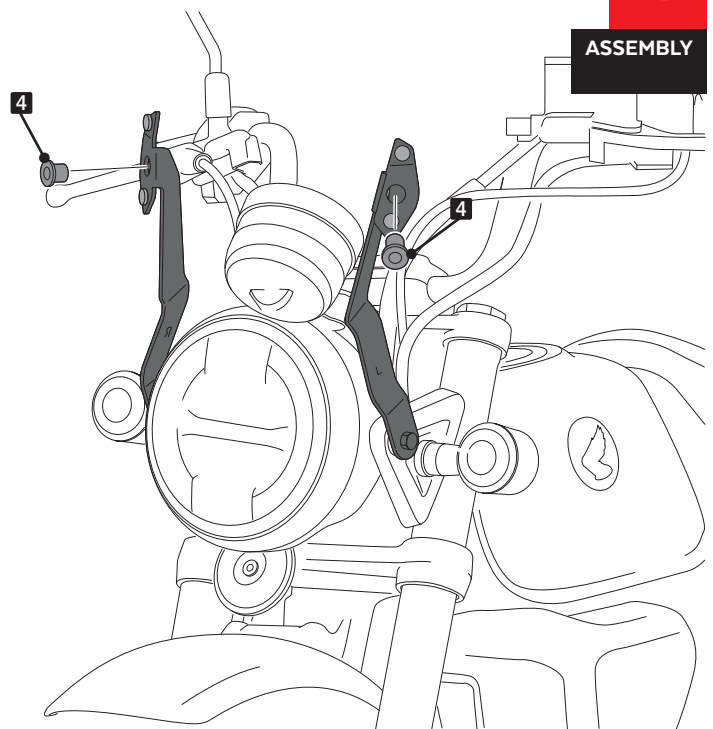
3

ASSEMBLY



4

ASSEMBLY

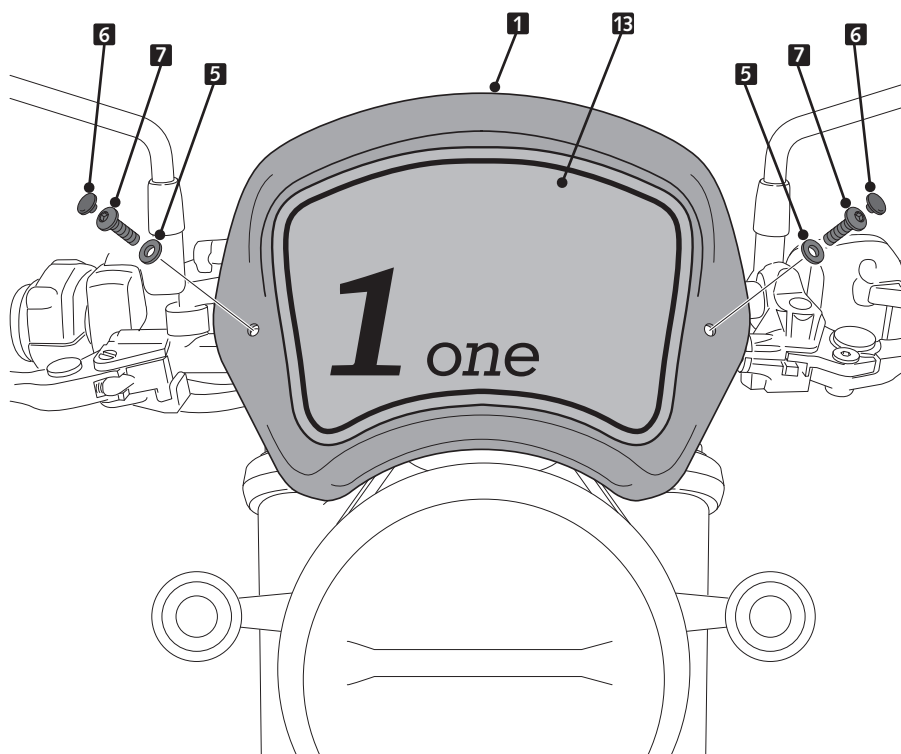


HONDA MONKEY 125 '18-

MOUNTING INSTRUCTIONS

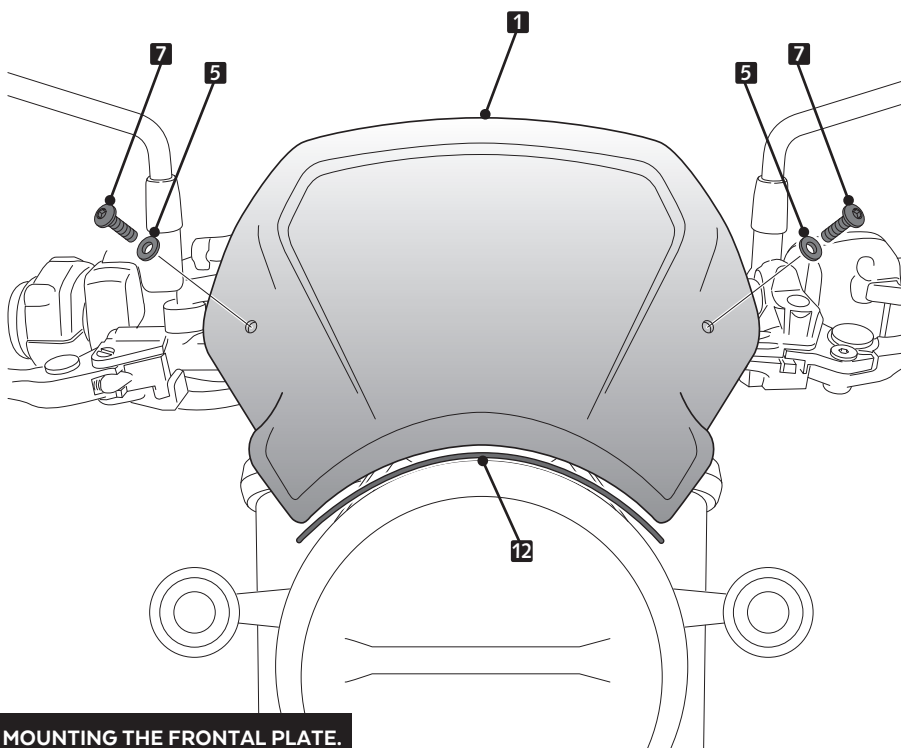
5

ASSEMBLY



6

ASSEMBLY



PLACE TRIM BEFORE MOUNTING THE FRONTAL PLATE.