

MAXISCOOTER UNIVERSAL

M O U N T I N G I N S T R U C T I O N S

REF 3488

HANDSGUARD FOR

I N D E X

EXPLOTING.....	2
MOUNTING INSTRUCCIONS FOR KAWASAKI J125 '16- / J300 '14-.....	5
MOUNTING INSTRUCCIONS FOR HONDA FORZA 125/350 '21- / YAMAHA T-MAX 530 '12- '15 / T-MAX 530 DX/SX '17-/ T-MAX 560 '20/ N-MAX '21-	8
MOUNTING INSTRUCCIONS FOR KYMCO AGILITY CITY 50 / 125 / 150 /200.....	11



ROUNDED CONTOUR-PROFILE

MAXISCOOTER UNIVERSAL

M O U N T I N G I N S T R U C T I O N S

REF 3488

HANDSGUARD FOR



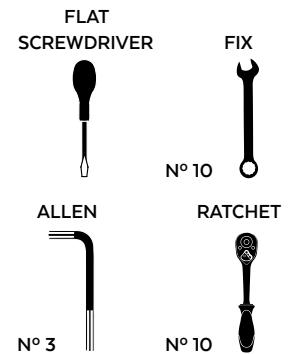
1 Person



20 min



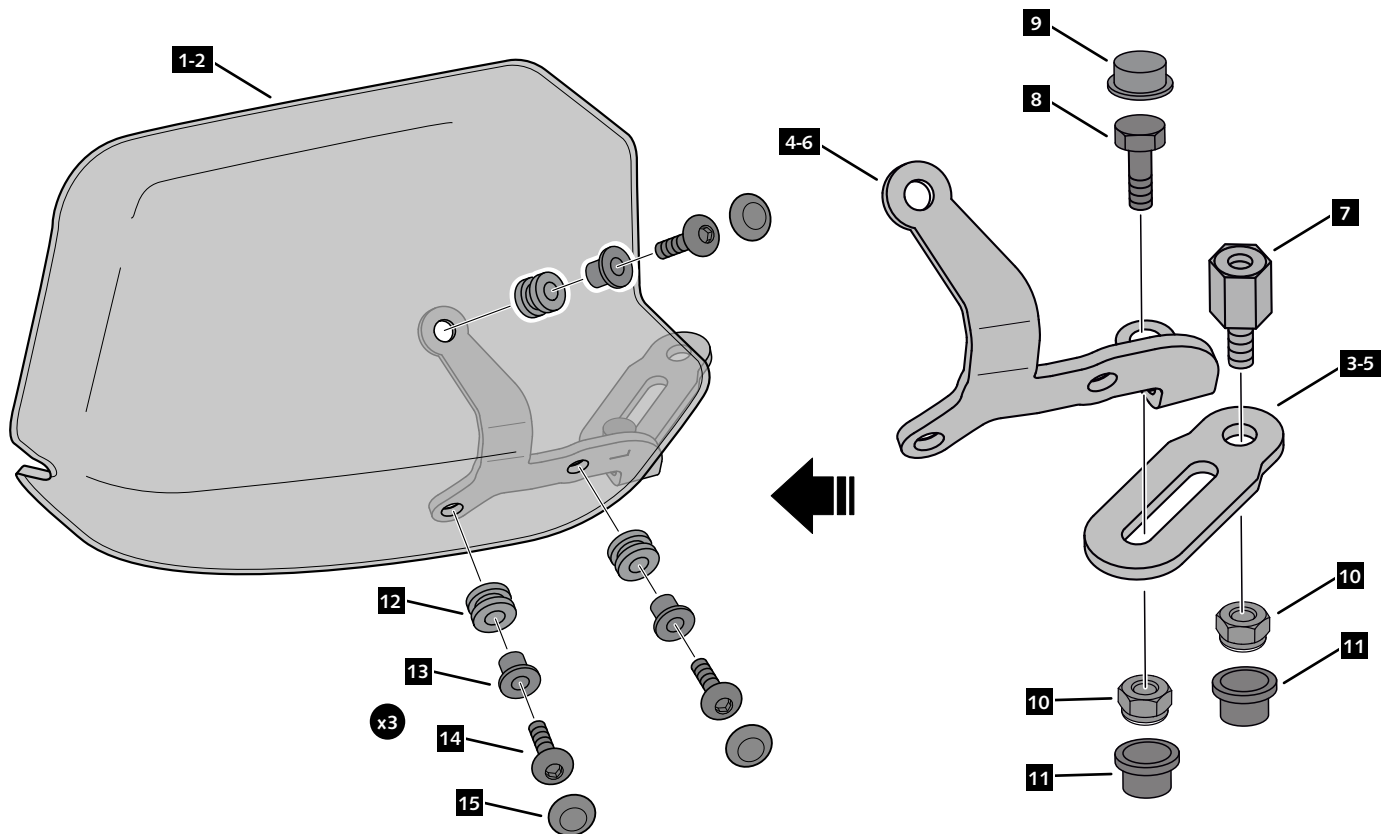
INTERMEDIATE



ID.	PART	DESCRIPTION	QTY.	REF.:
1		Right handguard	1	9652F/H/WM3
2		Left handguard	1	9652F/H/WM3
3		R1 right metal support	1	SOPOR4P9R1-9652
4		R2 right metal support	1	SOPOR4P9R2-9652
5		L1 left metal support	1	SOPOR4P9L1-9652
6		L2 left metal support	1	SOPOR4P9L2-9652
7		M6x12 special screw Hexagonal lenght 15 (M6x8) BLACK	2	TORNI-EM6---838
8		M6x10 DIN933 screw BLACK	2	TORNI-D933--524
9		M6 DIN933 screw cap	2	CAPERUZTOM6-063
10		M6 DIN985 lock nut	4	TUZBM6000000024
11		M6 nut cap	4	CAPERUTUM6-21/1
12		Ø12xØ6x9 silentblock	6	AROPASACABLES-1
13		Ø12xØ6,8x7,3 bush with flange	6	CASQUI-1A---750
14		M5 x16 Ø11 ISO 7380 allen screw	6	TORNI-I7380-493
15		M5 ISO7380 screw cap	6	TAPON-----85

MAXISCOOTER UNIVERSAL

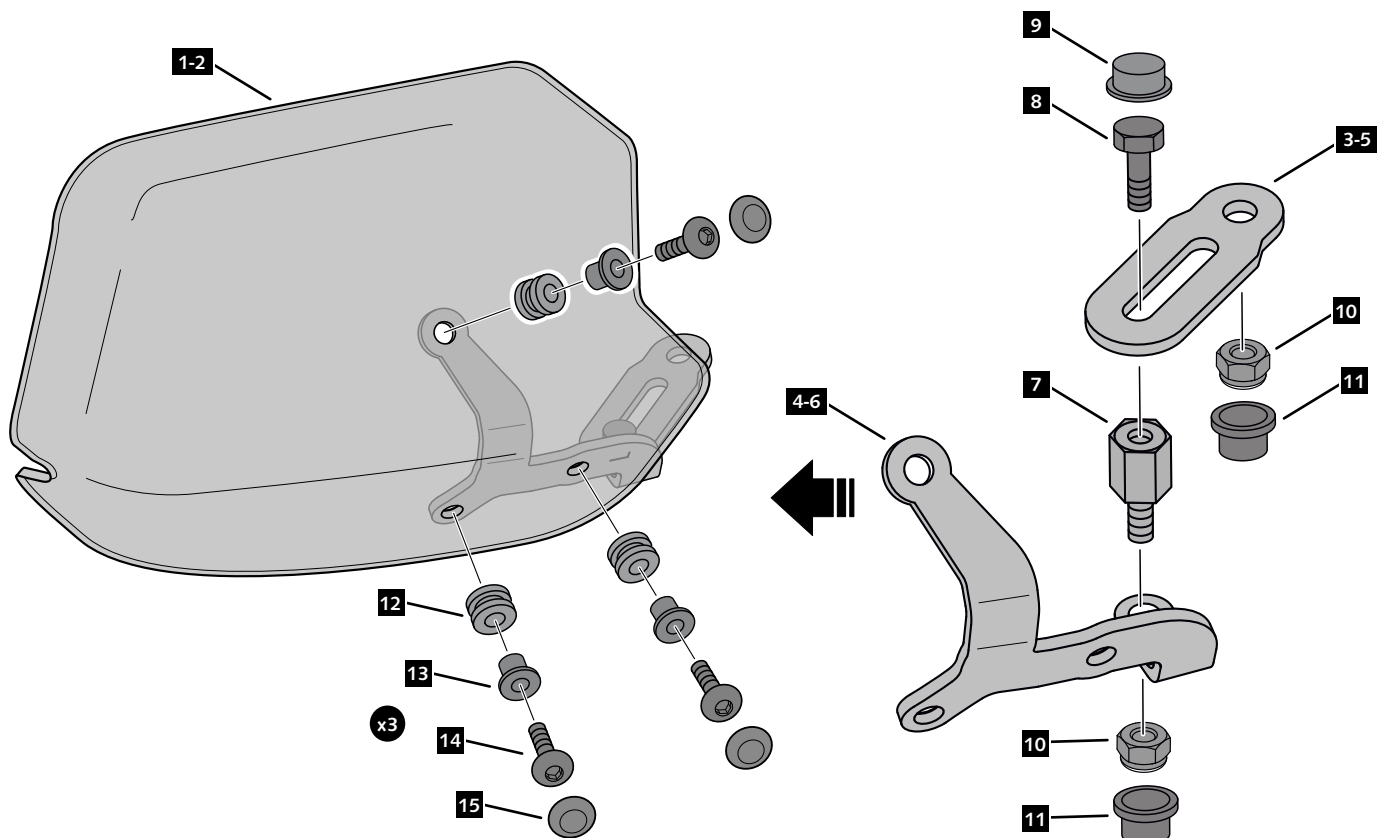
MOUNTING INSTRUCTIONS



MAXISCOOTER UNIVERSAL

MOUNTING INSTRUCTIONS

ONLY FOR KYMCO AGILITY CITY MODEL



KAWASAKI J125 '16- / J300 '14-

M O U N T I N G I N S T R U C T I O N S

REF 3488

HANDGUARD FOR



1 Person



20 min



INTERMEDIATE



FLAT
SCREWDRIVER



FIX



Nº 10

ALLEN

RATCHET

Nº 3

Nº 10

ID.	PART	DESCRIPTION	QTY.	REF.:
1		Right handguard	1	9652F/H/WM3
2		Left handguard	1	9652F/H/WM3
3		R1 right metal support	1	SOPOR4P9R1-9652
4		R2 right metal support	1	SOPOR4P9R2-9652
5		L1 left metal support	1	SOPOR4P9L1-9652
6		L2 left metal support	1	SOPOR4P9L2-9652
7		M6x12 special screw Hexagonal lenght 15 (M6x8) BLACK	2	TORNI-EM6---838
8		M6x10 DIN933 screw BLACK	2	TORNI-D933--524
9		M6 DIN933 screw cap	2	CAPERUZTOM6-063
10		M6 DIN985 lock nut	4	TUZBM6000000024
11		M6 nut cap	4	CAPERUTUM6-21/1
12		Ø12xØ6x9 silentblock	6	AROPASACABLES-1
13		Ø12xØ6,8x7,3 bush with flange	6	CASQUI-1A---750
14		M5 x16 Ø11 ISO 7380 allen screw	6	TORNI-I7380-493
15		M5 ISO7380 screw cap	6	TAPON-----85

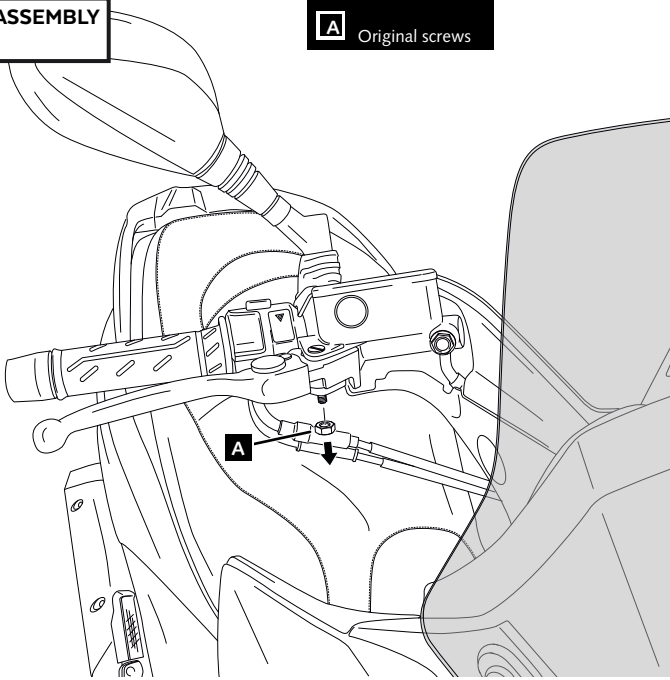
KAWASAKI J125 '16- / J300 '14-

- MOUNTING INSTRUCTIONS

1

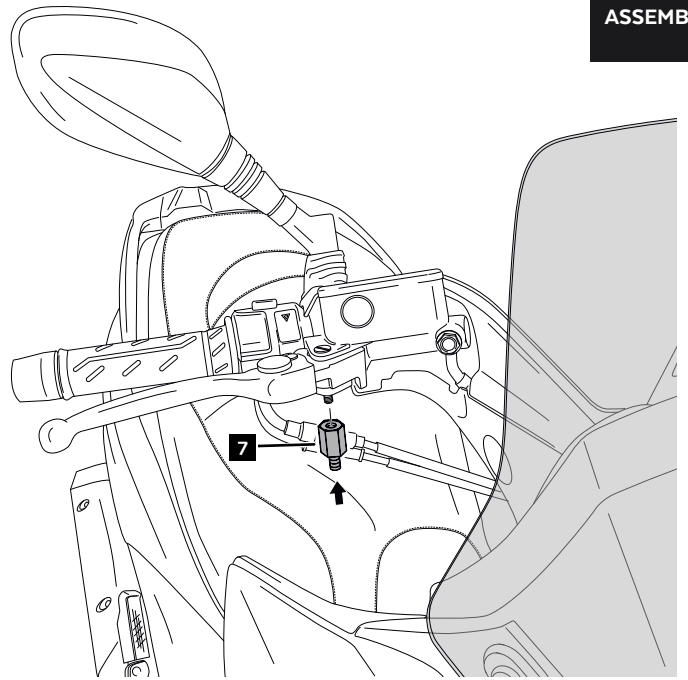
DISASSEMBLY

A Original screws



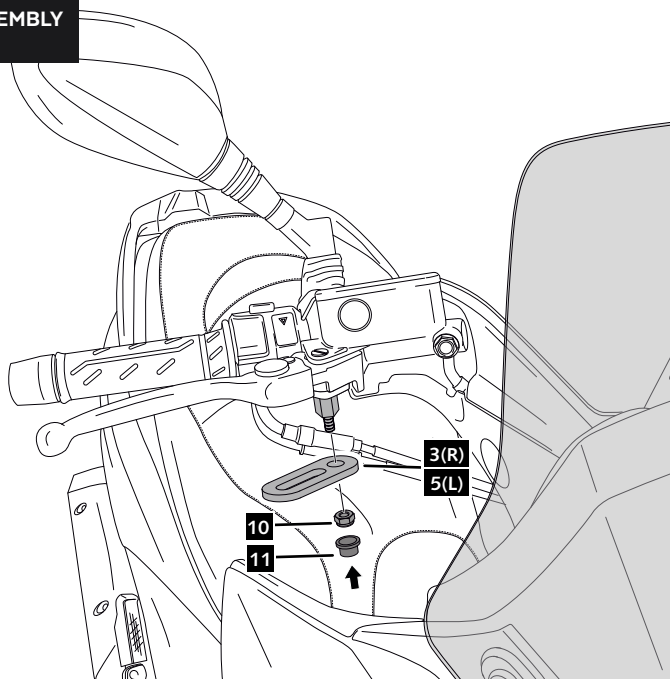
2

ASSEMBLY



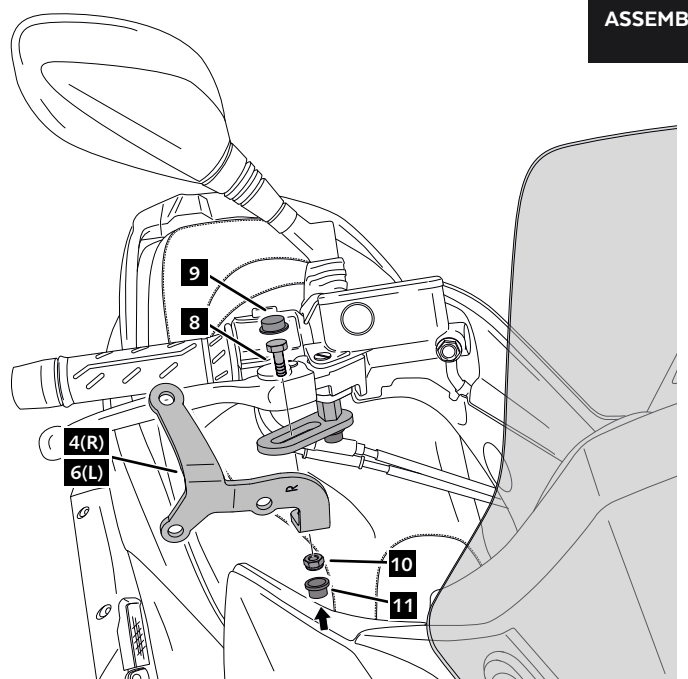
3

ASSEMBLY



4

ASSEMBLY

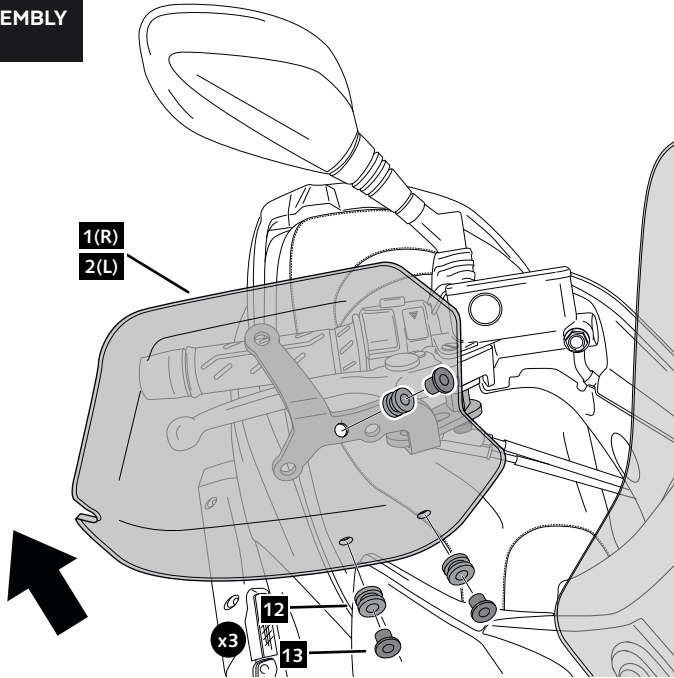


KAWASAKI J125 '16- / J300 '14-

MOUNTING INSTRUCTIONS

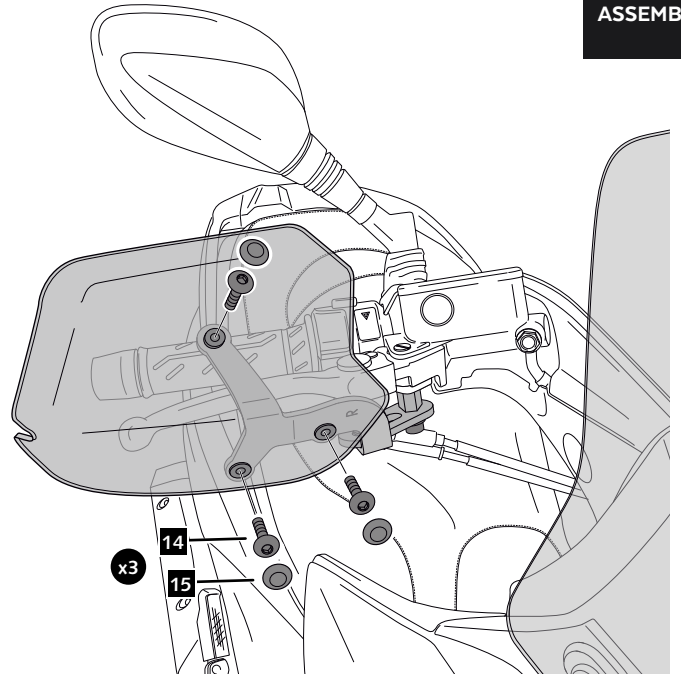
5

ASSEMBLY



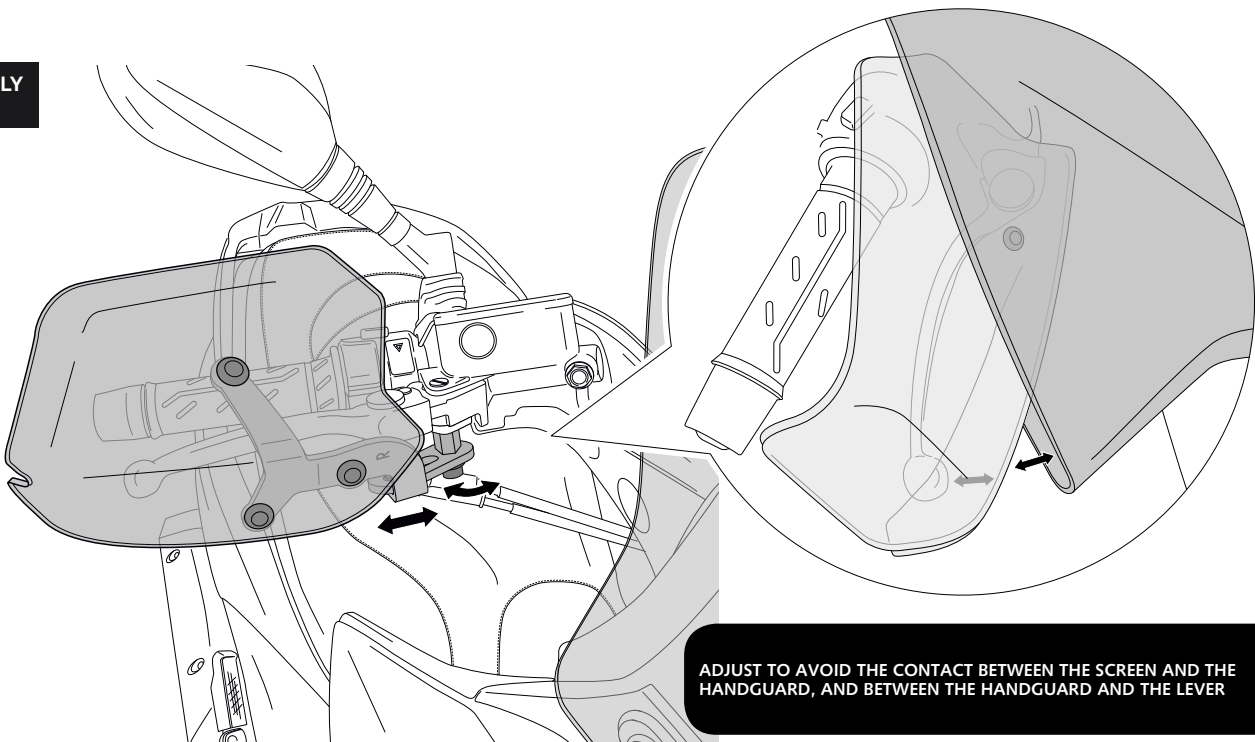
6

ASSEMBLY



7

ASSEMBLY



ADJUST TO AVOID THE CONTACT BETWEEN THE SCREEN AND THE HANDGUARD, AND BETWEEN THE HANDGUARD AND THE LEVER

**HONDA FORZA 125/350 '21- / YAMAHA
T-MAX 530 '12-'16 / T-MAX 530 DX/SX '17- / T-MAX 560 '20- / N-MAX '21-**

M O U N T I N G I N S T R U C T I O N S

REF 3488

HANDSGUARD FOR



1 Person



20 min



INTERMEDIATE



FLAT
SCREWDRIVER



FIX



Nº 10

ALLEN



Nº 3

RATCHET



Nº 10

ID.	PART	DESCRIPTION	QTY.	REF.:
1		Right handguard	1	9652F/H/WM3
2		Left handguard	1	9652F/H/WM3
3		R1 right metal support	1	SOPOR4P9R1-9652
4		R2 right metal support	1	SOPOR4P9R2-9652
5		L1 left metal support	1	SOPOR4P9L1-9652
6		L2 left metal support	1	SOPOR4P9L2-9652
7		M6x12 special screw Hexagonal lenght 15 (M6x8) BLACK	2	TORNI-EM6---838
8		M6x10 DIN933 screw BLACK	2	TORNI-D933--524
9		M6 DIN933 screw cap	2	CAPERUZTOM6-063
10		M6 DIN985 lock nut	4	TUZBM6000000024
11		M6 nut cap	4	CAPERUTUM6-21/1
12		Ø12xØ6x9 silentblock	6	AROPASACABLES-1
13		Ø12xØ6,8x7,3 bush with flange	6	CASQUI-1A---750
14		M5 x16 Ø11 ISO 7380 allen screw	6	TORNI-I7380-493
15		M5 ISO7380 screw cap	6	TAPON-----85

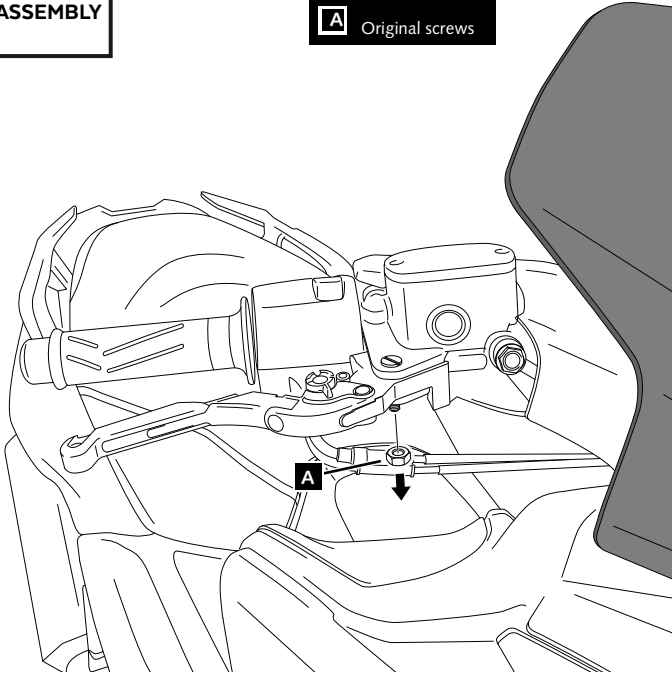
**HONDA FORZA 125/350 '21- / YAMAHA
T-MAX 530 '12-16 / T-MAX 530 DX/SX '17- / T-MAX 560 '20- / N-MAX '21-**

MOUNTING INSTRUCTIONS

1

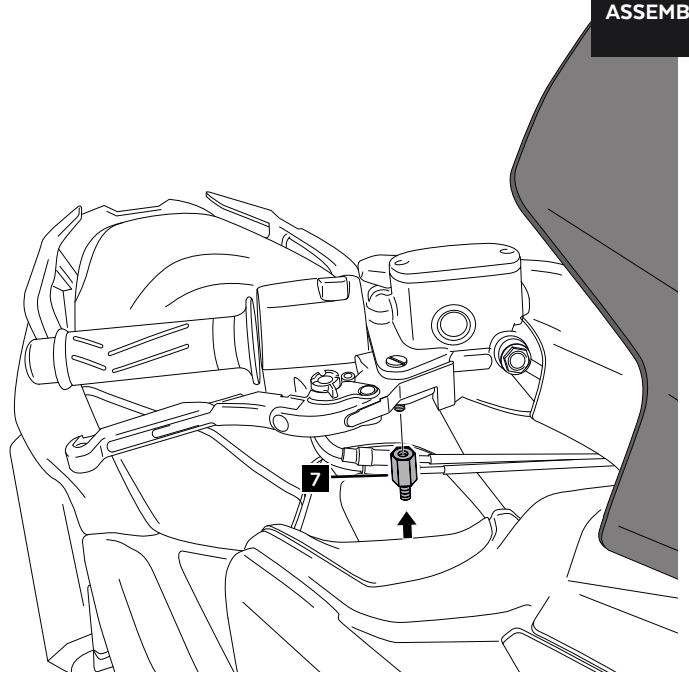
DISASSEMBLY

A Original screws



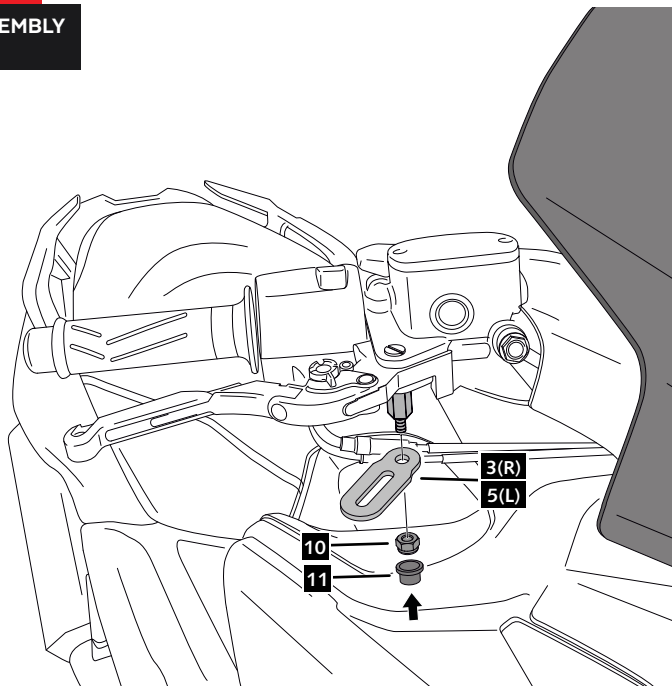
2

ASSEMBLY



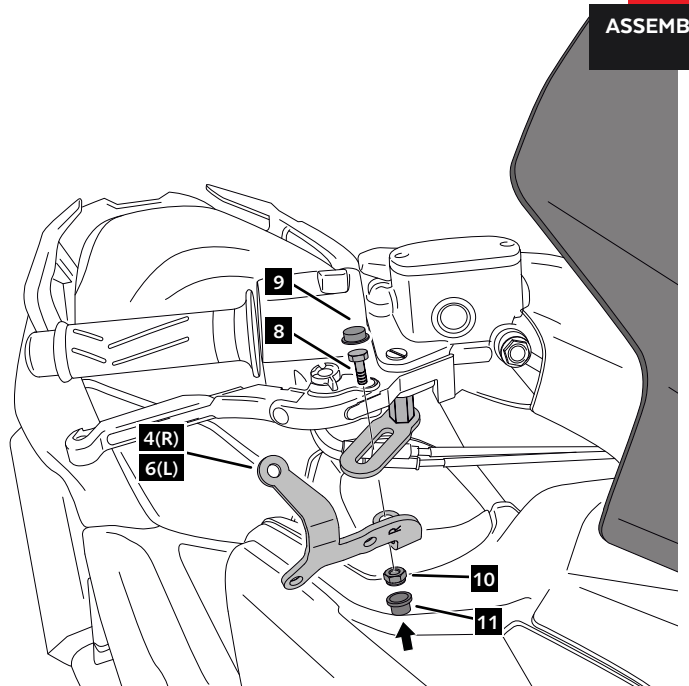
3

ASSEMBLY



4

ASSEMBLY

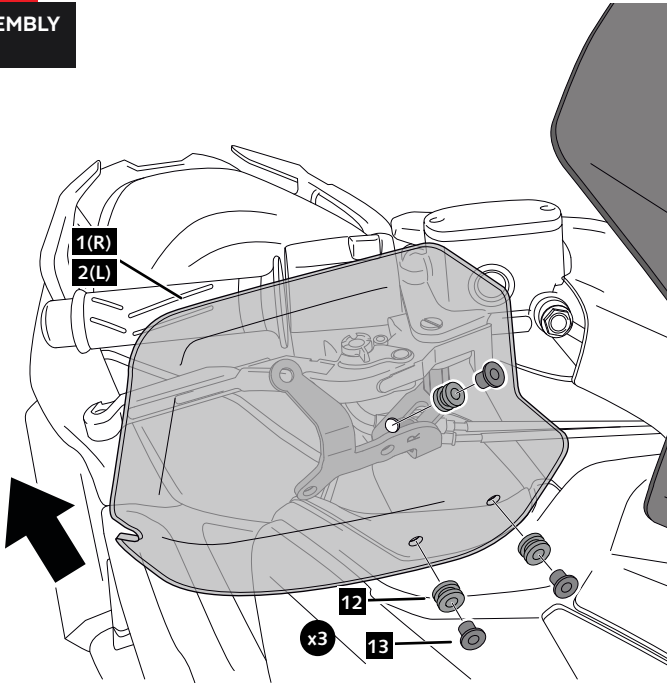


**HONDA FORZA 125/350 '21- / YAMAHA
T-MAX 530 '12-'16 / T-MAX 530 DX/SX '17- / T-MAX 560 '20- / N-MAX '21-**

MOUNTING INSTRUCTIONS

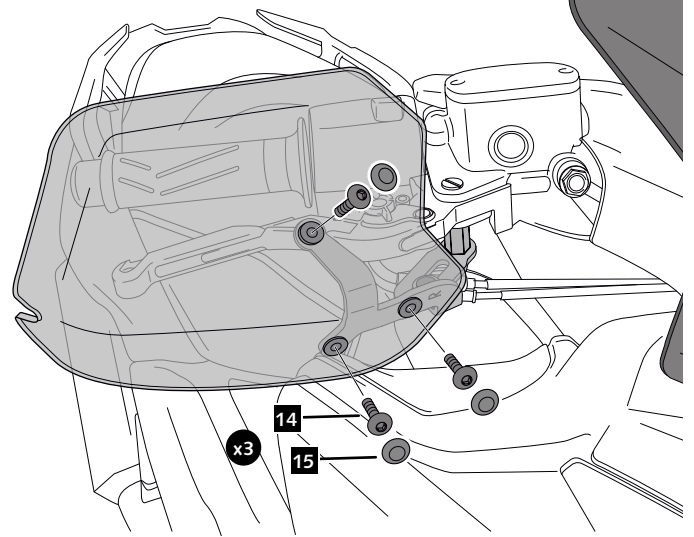
5

ASSEMBLY



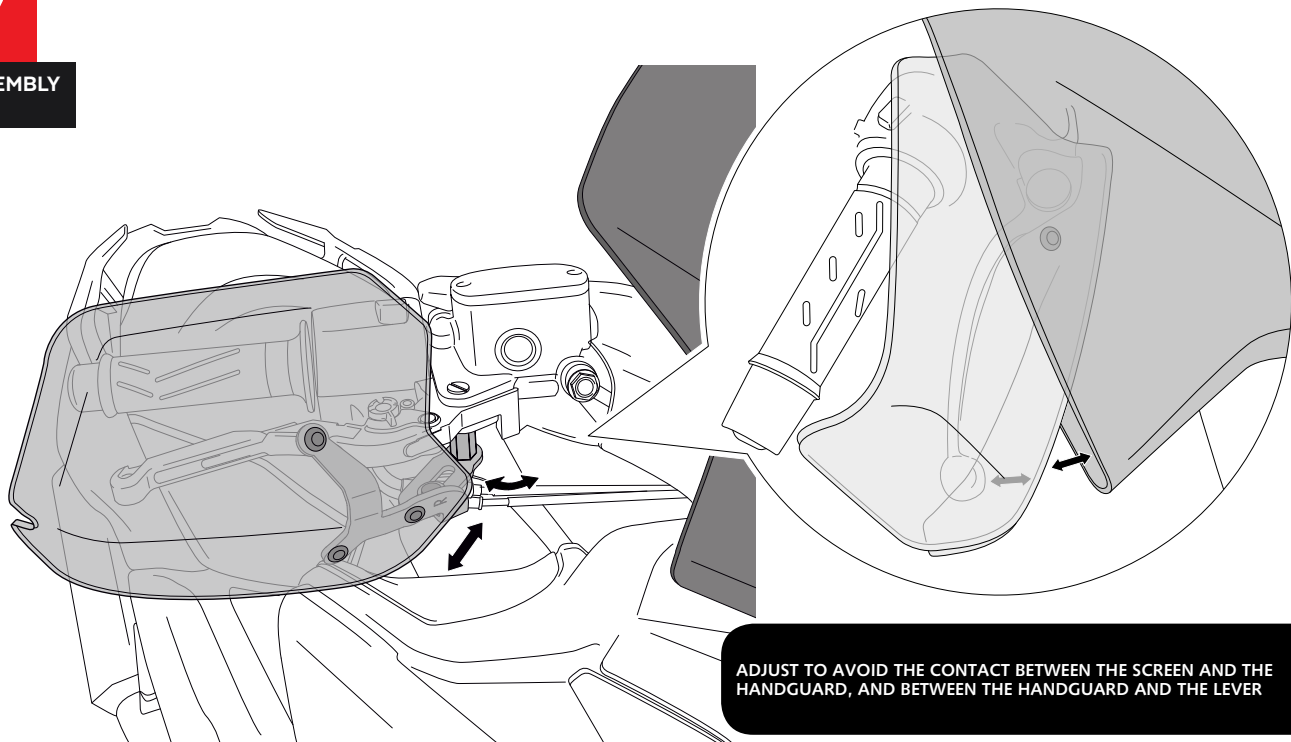
6

ASSEMBLY



7

ASSEMBLY



ADJUST TO AVOID THE CONTACT BETWEEN THE SCREEN AND THE
HANDGUARD, AND BETWEEN THE HANDGUARD AND THE LEVER

KYMCO
AGILITY CITY 50/125/150/200

M O U N T I N G I N S T R U C T I O N S

REF 3488

HANDSGUARD FOR



1 Person



20 min



INTERMEDIATE



FLAT
SCREWDRIVER



FIX



Nº 10

ALLEN

RATCHET

Nº 3

Nº 10

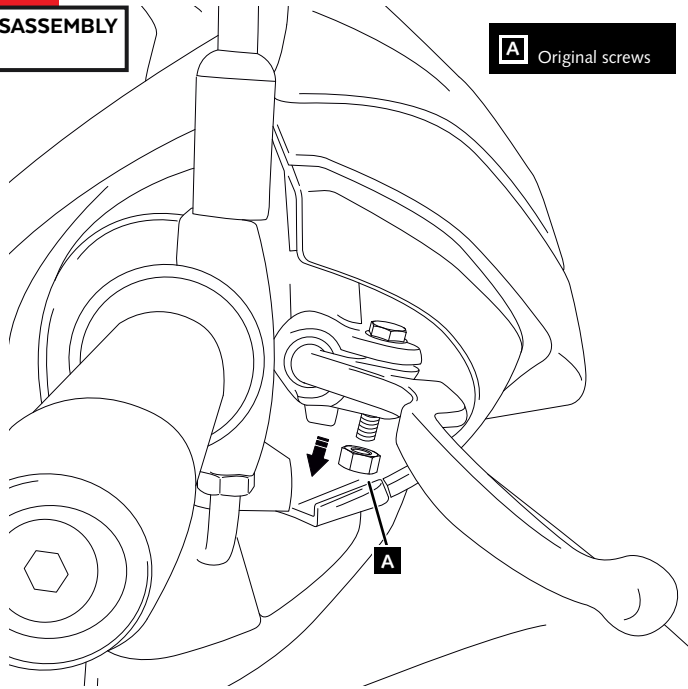
ID.	PART	DESCRIPTION	QTY.	REF.:
1		Right handguard	1	9652F/H/WM3
2		Left handguard	1	9652F/H/WM3
3		R1 right metal support	1	SOPOR4P9R1-9652
4		R2 right metal support	1	SOPOR4P9R2-9652
5		L1 left metal support	1	SOPOR4P9L1-9652
6		L2 left metal support	1	SOPOR4P9L2-9652
7		M6x12 special screw Hexagonal lenght 15 (M6x8) BLACK	2	TORNI-EM6---838
8		M6x10 DIN933 screw BLACK	2	TORNI-D933--524
9		M6 DIN933 screw cap	2	CAPERUZTOM6-063
10		M6 DIN985 lock nut	4	TUZBM6000000024
11		M6 nut cap	4	CAPERUTUM6-21/1
12		Ø12xØ6x9 silentblock	6	AROPASACABLES-1
13		Ø12xØ6,8x7,3 bush with flange	6	CASQUI-1A---750
14		M5 x16 Ø11 ISO 7380 allen screw	6	TORNI-I7380-493
15		M5 ISO7380 screw cap	6	TAPON-----85

KYMC0
AGILITY CITY 50/125/150/200

MOUNTING INSTRUCTIONS

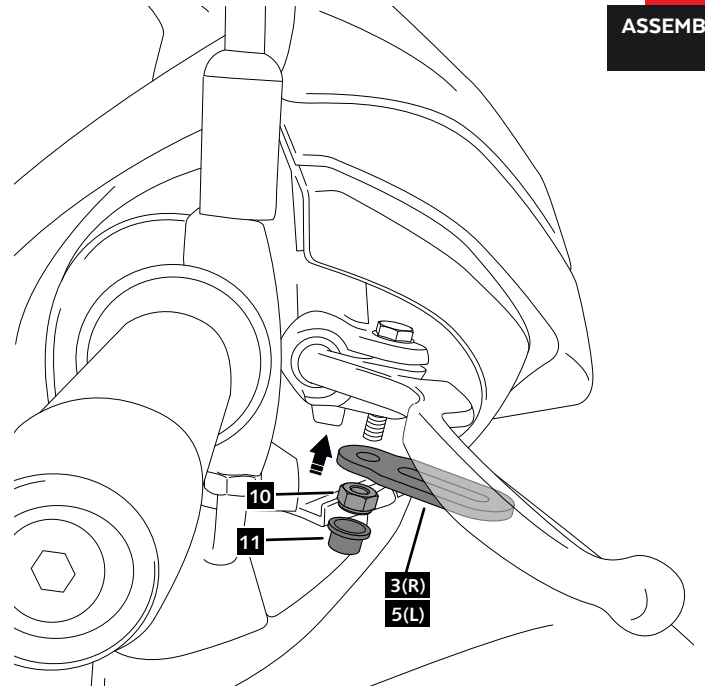
1

DISASSEMBLY



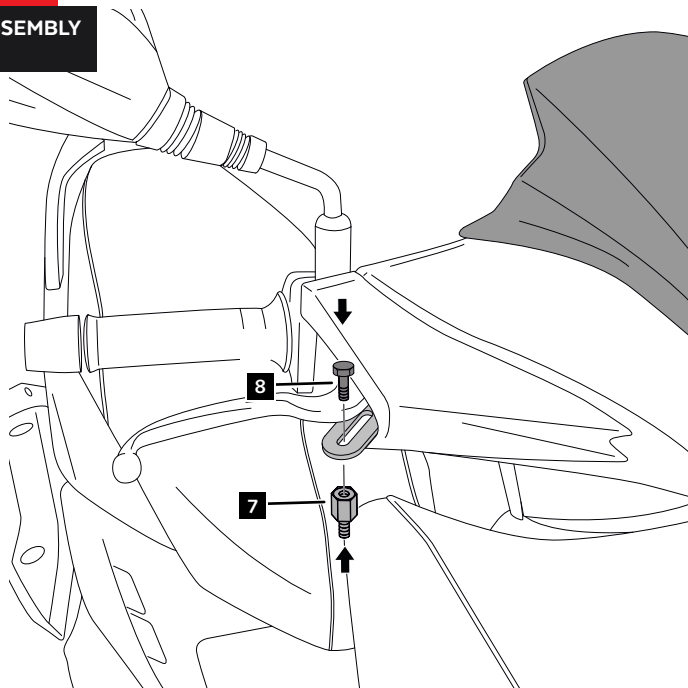
2

ASSEMBLY



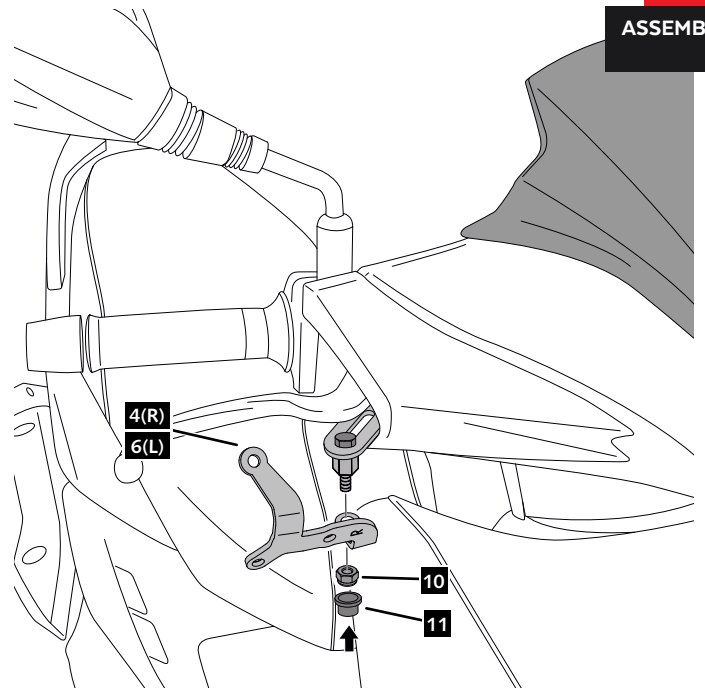
3

ASSEMBLY



4

ASSEMBLY

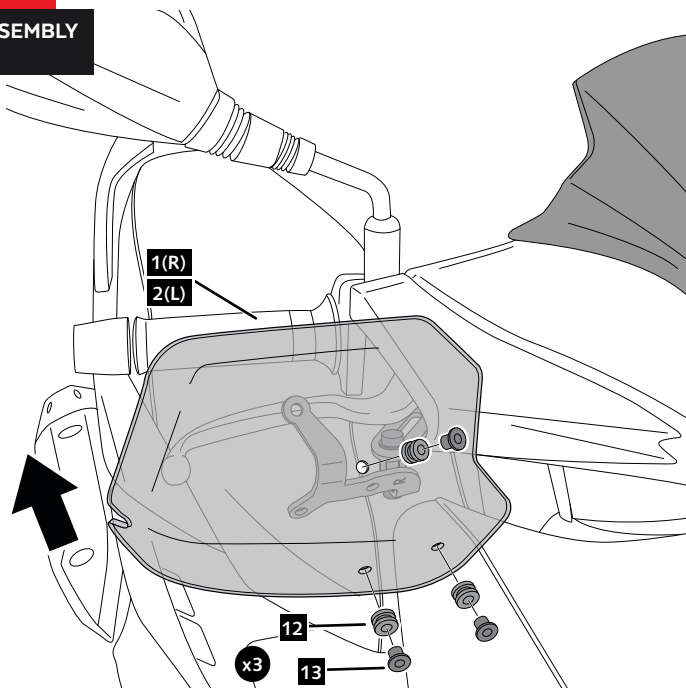


KYMCO AGILITY CITY 50/125/150/200

MOUNTING INSTRUCTIONS

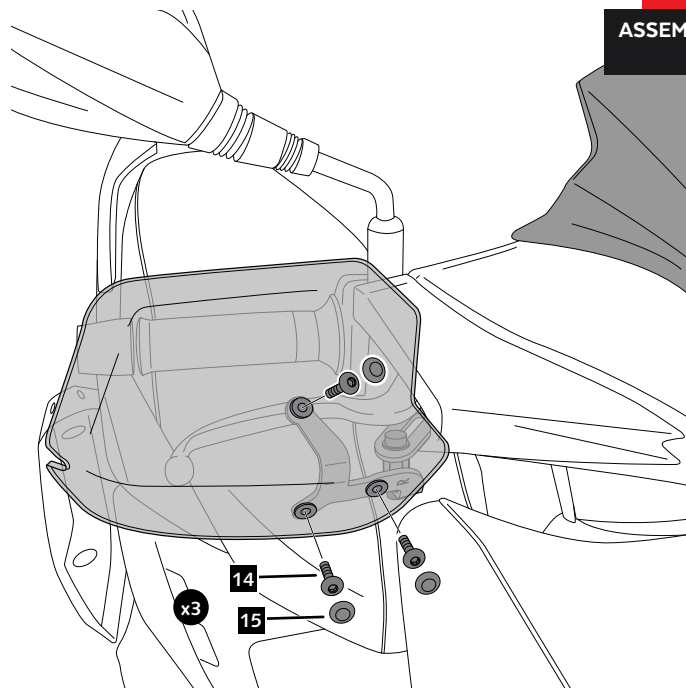
5

ASSEMBLY



6

ASSEMBLY



7

ASSEMBLY

