

YAMAHA MT09 TRACER '18- / TRACER GT '18-

M O U N T I N G I N S T R U C T I O N S

REF 3483

PICO / BEAK



1 Person



20 min



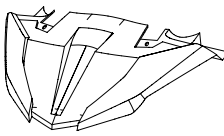

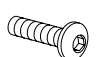


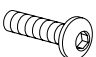

INTERMEDIATE



ALLEN

Nº 3
Nº 4



ID.	PART	DESCRIPTION	QTY.	REF.:
1		BEAK	1	3483J/CM3
2		Upper Support	1	SOPORIP1---3483
3		M5x20 Ø11 ISO 7380 Allen screw	2	TORNI-I7380-730
4		M5x1 nylon washer	2	ARNV0000000245
5		M6 clip nut	2	TUERCA-TRT-M6--
6		M6x25 Ø14 ISO 7380 Allen screw	2	TORNI-I7380-405
7		M6 nylon washer	2	ARANDEPNVCN0246

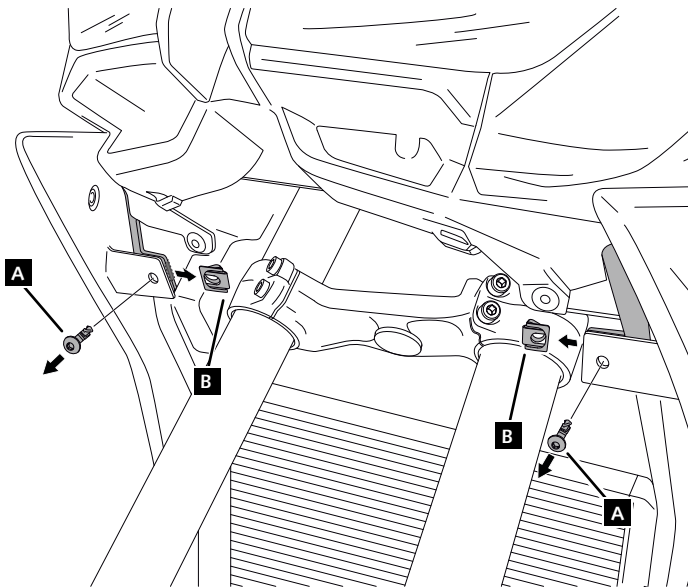
YAMAHA MT09 TRACER '18- / TRACER GT '18-

MOUNTING INSTRUCTIONS

1

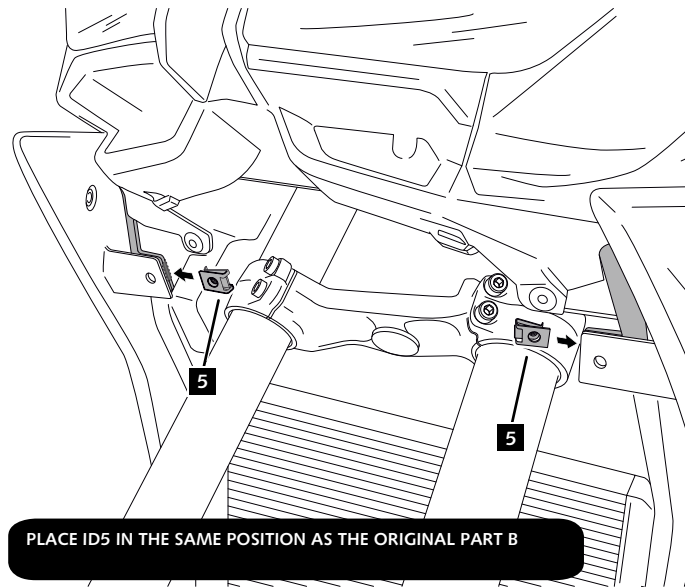
DISASSEMBLY

A/B Original screw



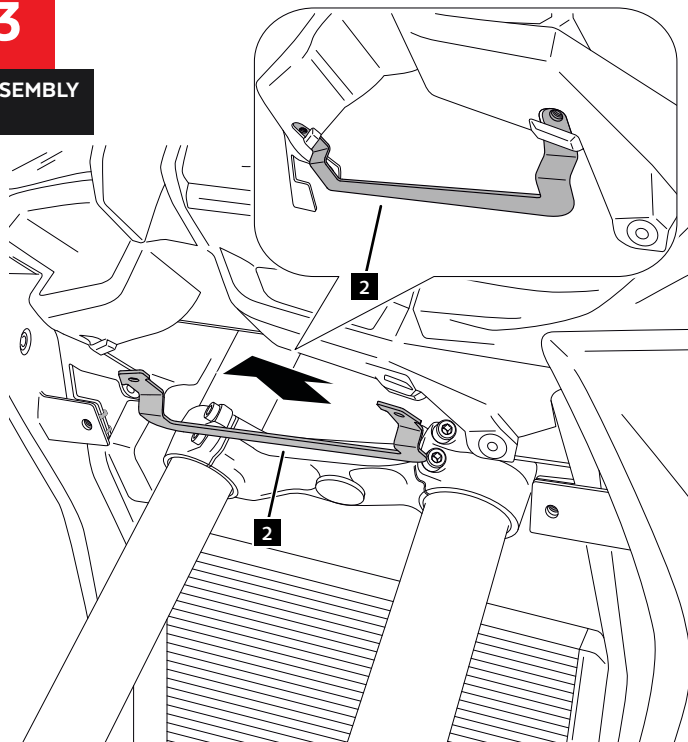
2

ASSEMBLY



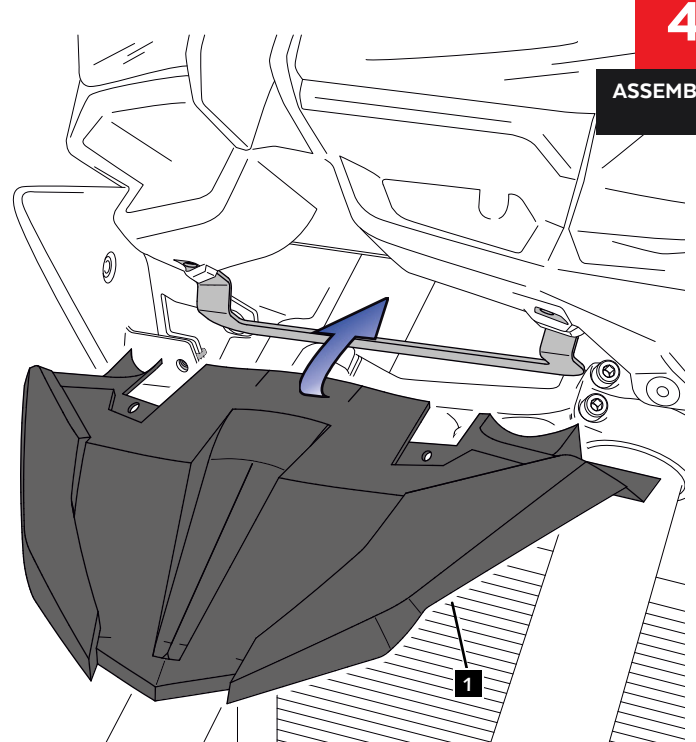
3

ASSEMBLY



4

ASSEMBLY

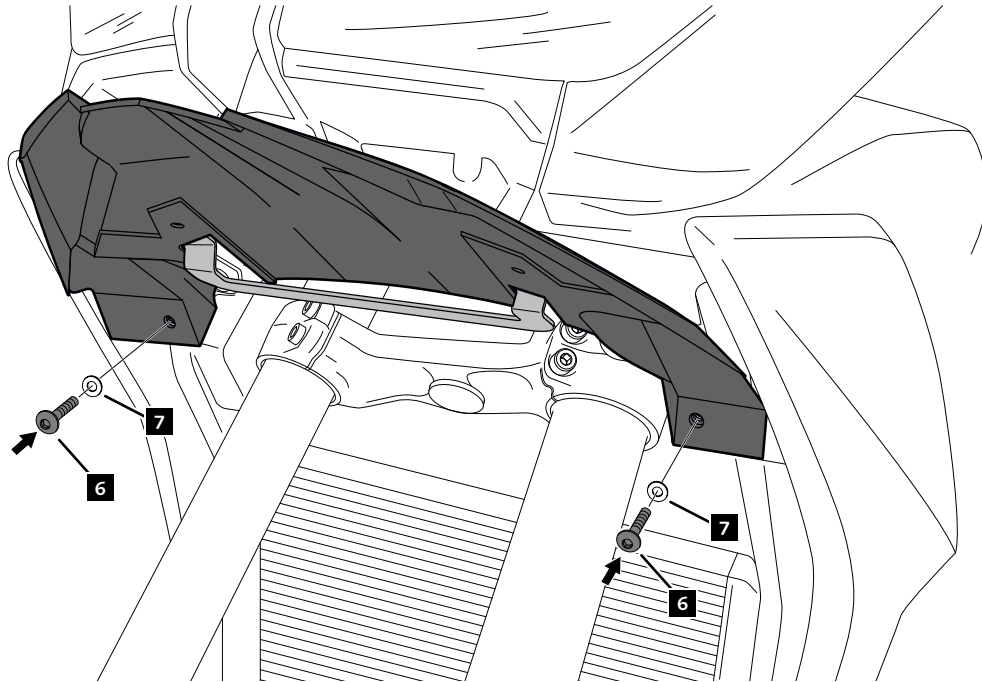


YAMAHA MT09 TRACER '18- / TRACER GT '18-

MOUNTING INSTRUCTIONS

5

ASSEMBLY



6

ASSEMBLY

