

BMW F750GS '18-

M O U N T I N G I N S T R U C T I O N S

REF 3178

ADJUSTABLE TOURING SCREEN



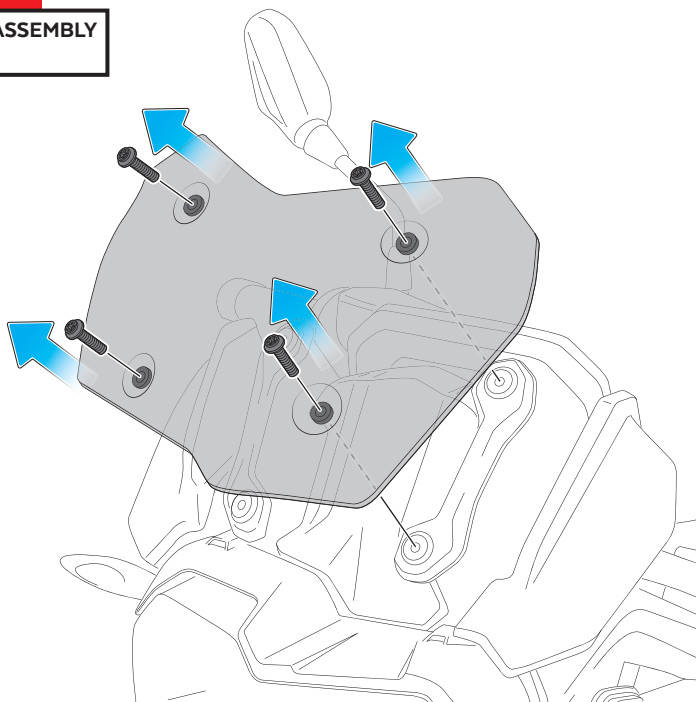
ID	PART	DESCRIPTION	QTY	REF
1		Upper screen	1	3179H/W/FM3
2		Lower screen	1	3179H/W/FM3
3		Right metal support (R)	2	SOPOR2P3R--9770
4		Left metal support (L)	2	SOPOR2P3L--9770
5		M5x16 Ø11 ISO 7380 Allen screw	8	TORNI-I7380-493
6		Ø9 xØ6 x 8mm silentblock	4	AROPASACABLES-3
7		Ø12xØ6,8x7,3 bush with flange	4	CASQUI-1A---750
8		M5 ISO 7380 screw cap	4	TAPON-----85
9		Exterior cap	2	CONJU-S3PCC-003
10		Ø22xØ10,4x10mm separator	4	ARAND-----840
11		Ø20xØ6x5mm plastic conical washer	4	ARANDENND20-030
12		Ø5x20mm DIN7505A screw (Black)	4	TORNI-D7505-841

BMW F750GS '18-

MOUNTING INSTRUCTIONS

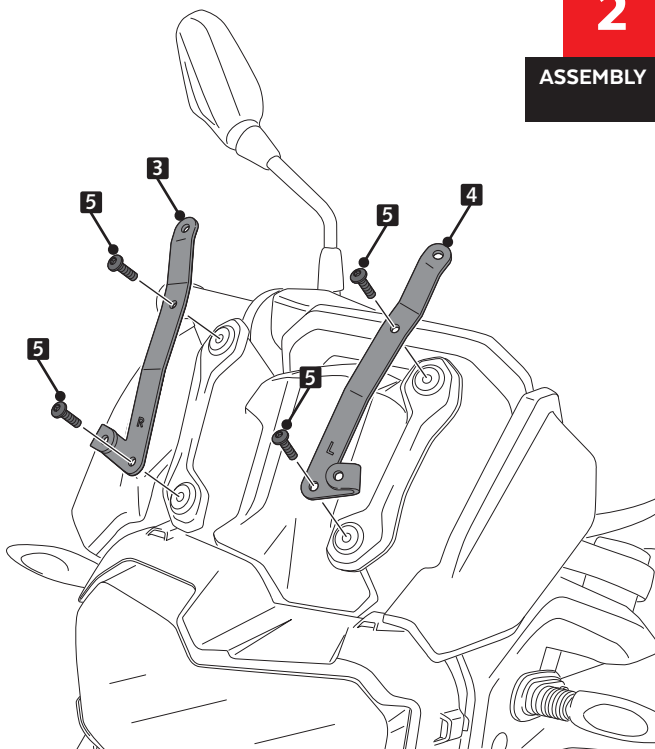
1

DISASSEMBLY



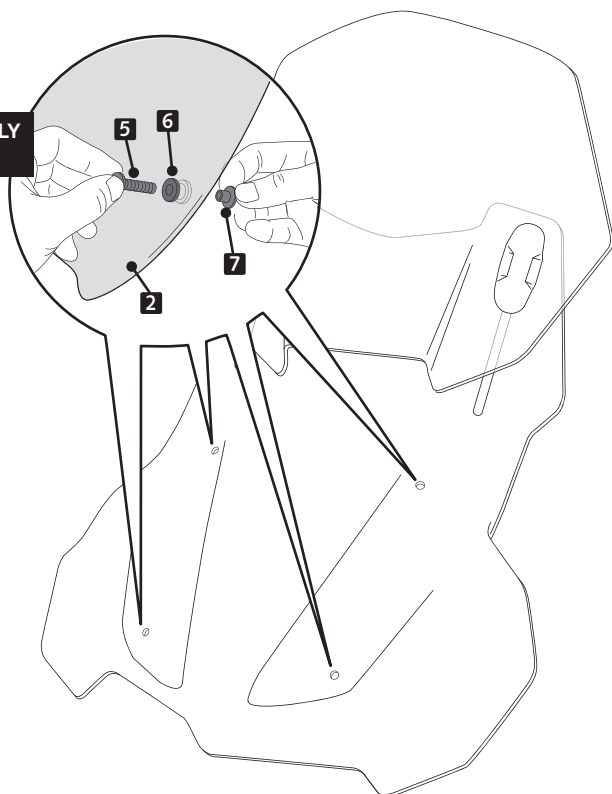
2

ASSEMBLY



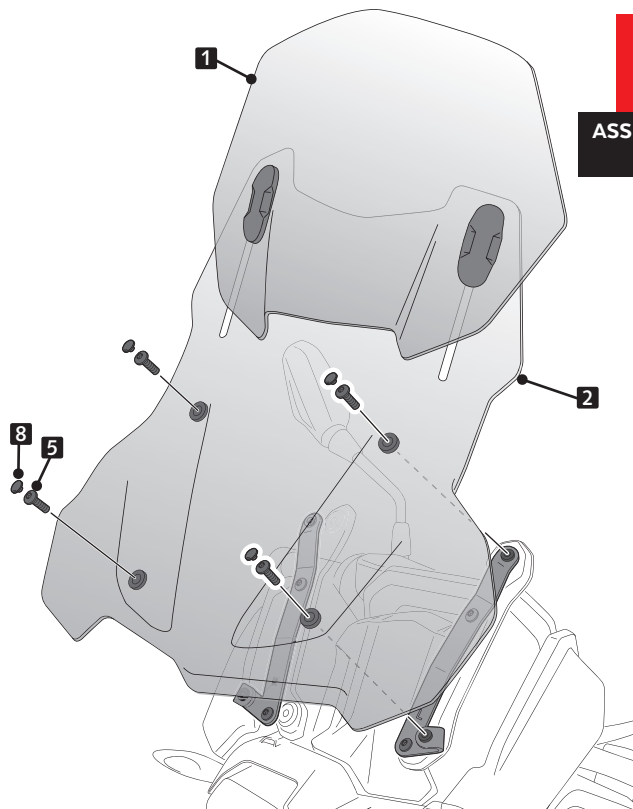
3

ASSEMBLY



4

ASSEMBLY



BMW F750GS '18-

EXPLOTING

