

KAWASAKI ZX6R '09-'18

M O U N T I N G I N S T R U C T I O N S

REF 3162

SIDE SPOILER DOWNFORCE



1 Person



40 min



EASY



N° 7

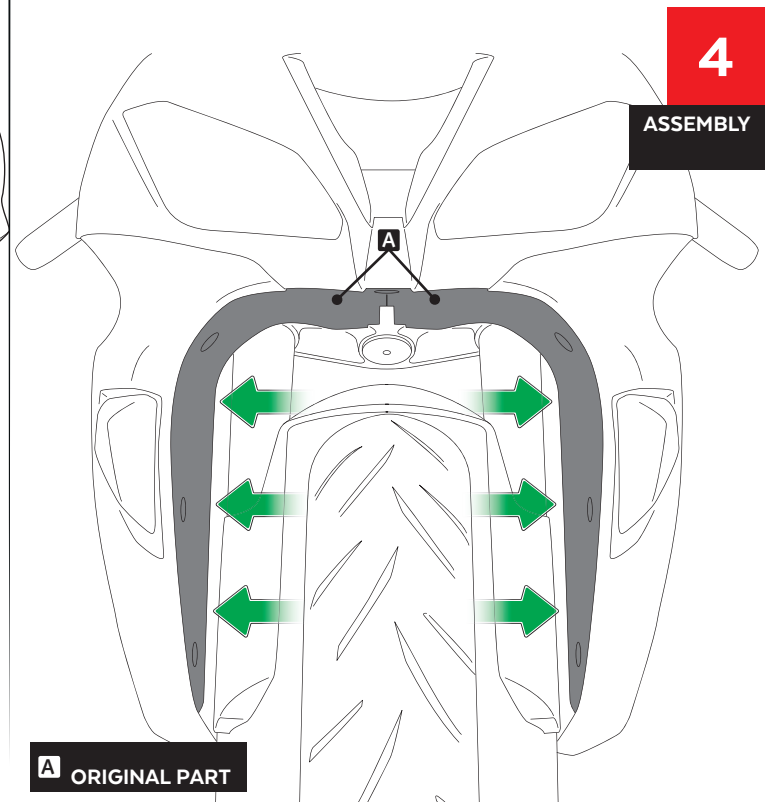
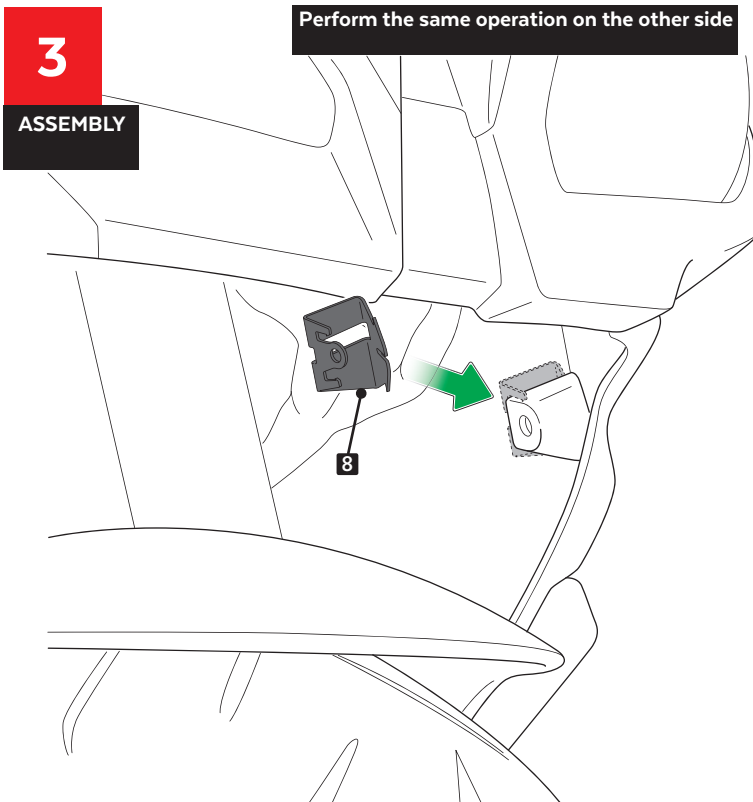
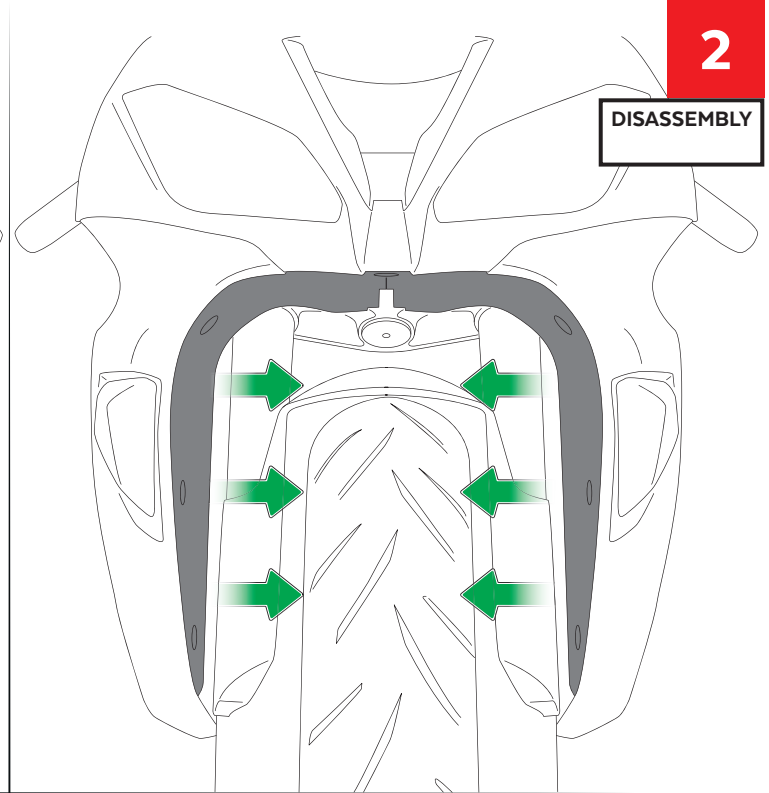
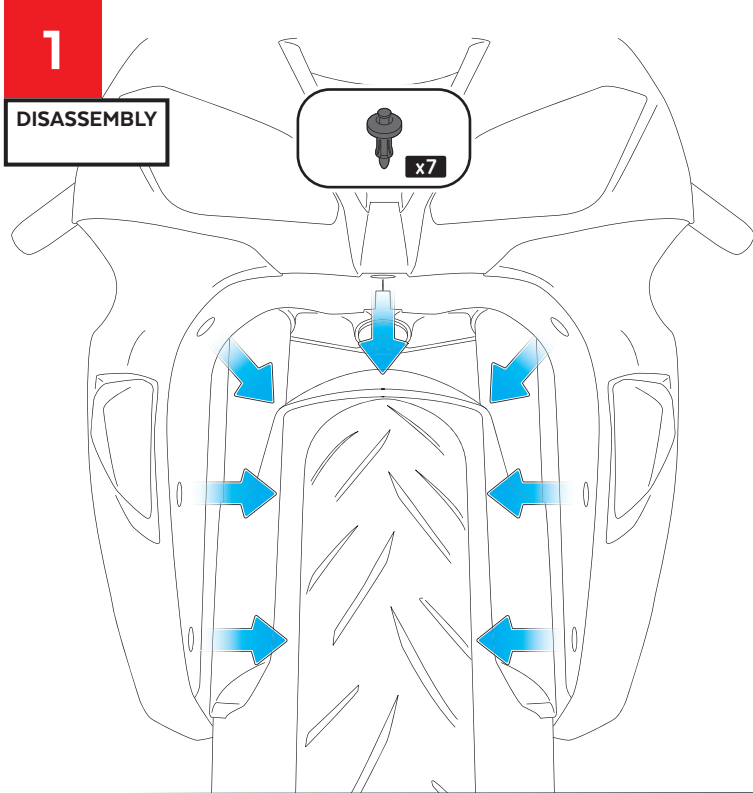
ALLEN

N° 2,5
N° 3

ID	PART	DESCRIPTION	QTY	REF
1		Right main plain spoiler	1	10683
2		Right black/blue/red/orange/green Winglet	1	3692N/A/R/T/V
3		Left main plain spoiler	1	10683
4		Left black/blue/red/orange/green Winglet	1	3692N/A/R/T/V
5		Right metal suport (R)	1	SOPOR4P7R1-3162
6		Left metal suport (L)	1	SOPOR4P7L1-3162
7		M4 right support (R)	1	SOPOR4P7R2-3162
8		M4 left support (L)	1	SOPOR4P7L2-3162
9		M4 locking nut	4	TUERCAE985-0290
10		Ø4,5 x Ø11 x 2mm Rubber washer	4	ARAND-EPDM--722
11		M4x0,5 Nylon washer	8	ARNV00000000311
12		M4x12 Ø9 ISO 7380 Allen screw	4	TORNI-I7380-800
13		M4x16 Ø11 ISO 7380 Allen screw	2	TORNIAI7380-310
14		M5 ISO 7380 Allen screw cap	4	TAPON-----85
15		M5x1 Nylon washer	4	ARNV00000000245
16		M5x11 Ø11 ISO 7380 Allen screw	4	TORNI-AI----520
17		30x10mm double-sided adhesive tape (supplied already mounted on items ID5/6)	4	ADHESI-----263
18		10x15mm protective adhesive foam (supplied assembled)	4	ESPUMA-----264

KAWASAKI ZX6R '09 -'18

MOUNTING INSTRUCTIONS

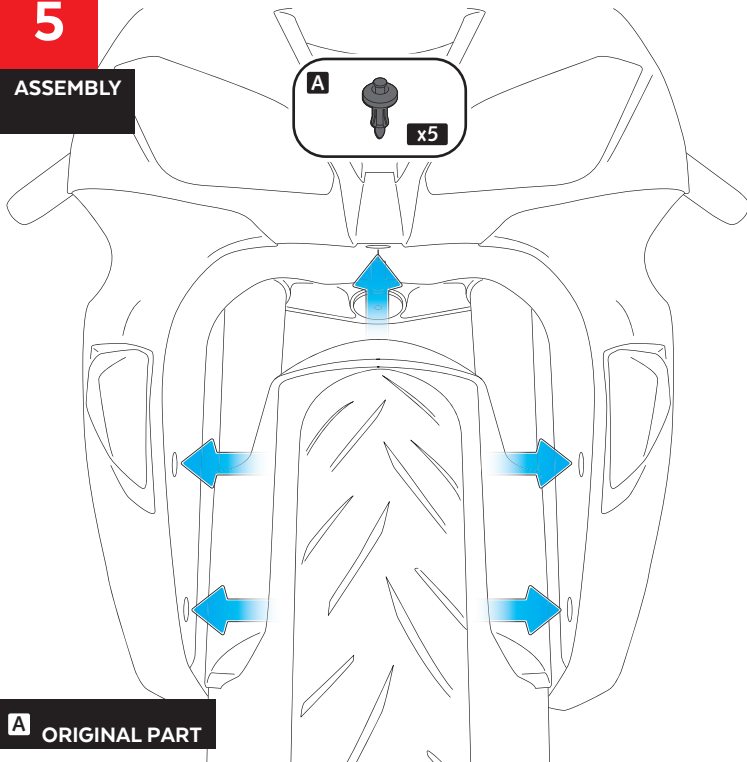


KAWASAKI ZX6R '09-'18

MOUNTING INSTRUCTIONS

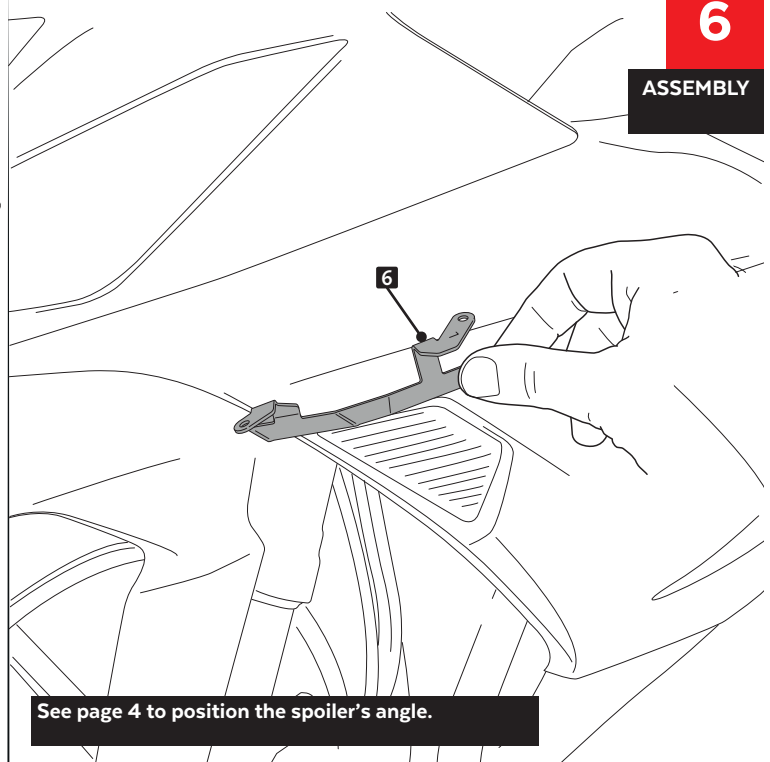
5

ASSEMBLY



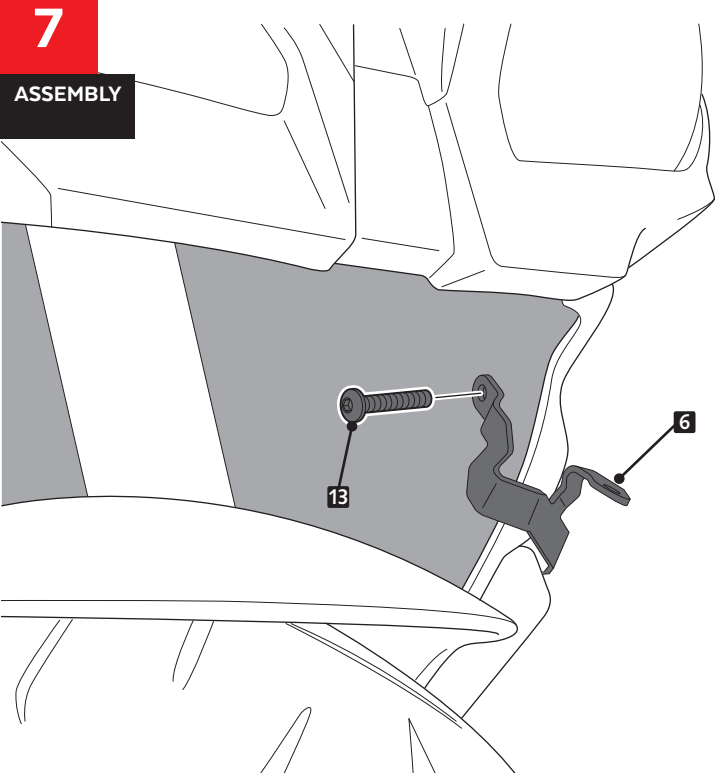
6

ASSEMBLY



7

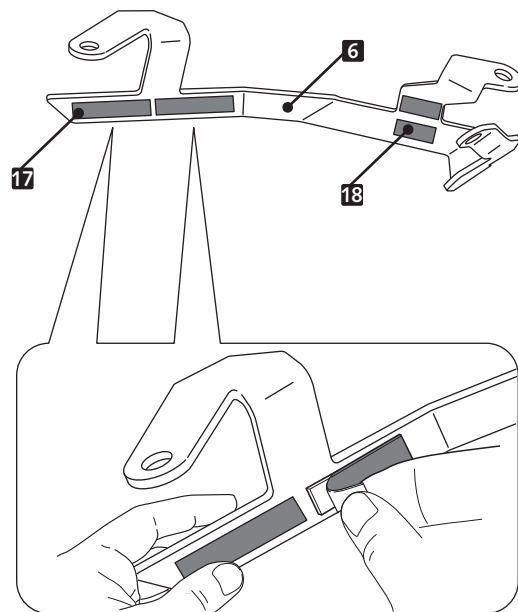
ASSEMBLY



D17 Extract the paper from the double-sided adhesive tape.

8

ASSEMBLY



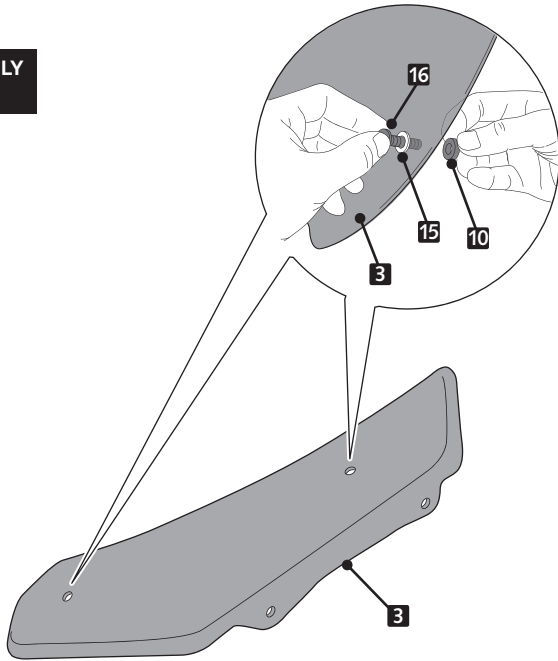
Apply pressure on adhesive area for 1 minut. Ideal tape application is accomplished when temperature is between 21°C and 38°C and the bond is allowed to dwell 24 hours.

KAWASAKI ZX6R '09 - '18

MOUNTING INSTRUCTIONS

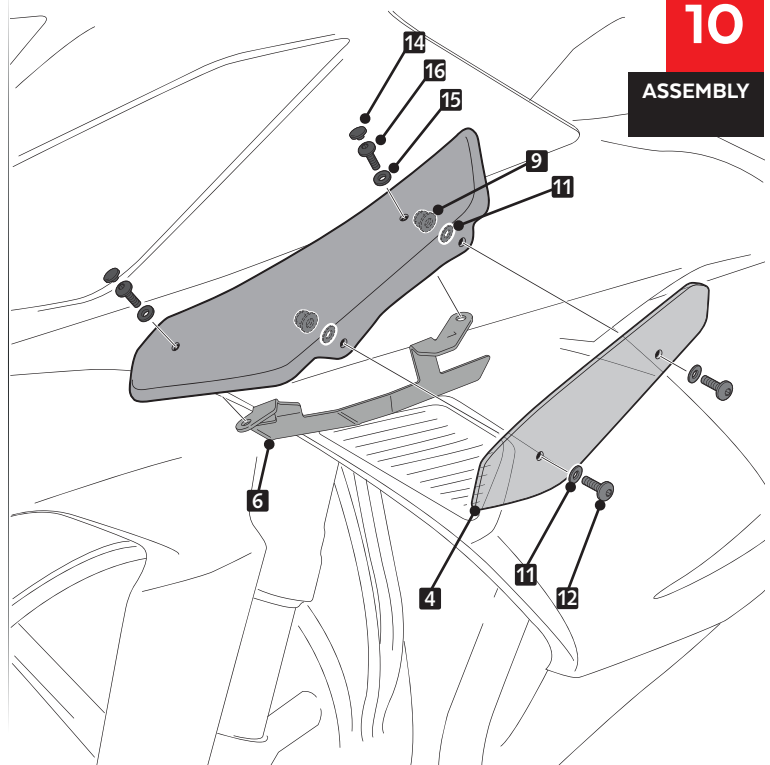
9

ASSEMBLY



10

ASSEMBLY



POSITION SPOILER
ACCORDING TO IMAGE.

