

ELECTRONIC REGULABLE SYSTEM (E.R.S.)

BMW F750GS '18- / F850GS '18-

M O U N T I N G I N S T R U C T I O N S

REF 3157



1 Person



45 min



MEDIUM



FLAT
SCREWDRIVER



TORX
T° 20
T° 25
T° 30



N° 10
N° 14



ALLEN
N° 3



ID	PART	DESCRIPTION	QTY	REF
1		ERS	1	ERSIUNIVERSAL
2		Right screen support	1	SOPOR3P8-R -COMU3157+3689
3		Left screen support	1	SOPOR3P8-L -COMU3157+3689
4		Central support	1	SOPOR3P8-C -COMU3157+3689
5		Right deflector(R)	1	SOPOR2P4- R -DEFL3157
6		Left deflector (L)	1	SOPOR2P4- L -DEFL3157
7		Box switch + support	1	ERSIUNIVERSAL
8		Intensity box limiter	1	ERSIUNIVERSAL
9		BMW power cable	1	3157
10		M5x16 Ø11 ISO7380 Allen screw	4	TORNI-I7380-493
11		M5x11 Ø11 ISO7380 Allen screw	4	TORNI-AI----520
12		M5 ISO 7380 screw cap	8	TAPON-----85
13		M5x10 DIN7991 allen screw	4	TORNI-D7991-808
14		140x3,6mm cable ties	1	BRIDANI42X3'6-N
15		M6 lock nut	4	TUZBM6000000024
16		M6 nut cap	4	CAPERUTUM6-21/1
17*		M6x20 Ø16 ISO7380 Allen screw	4	TORNI-I7380-404

* NOT USED FOR THIS MODEL

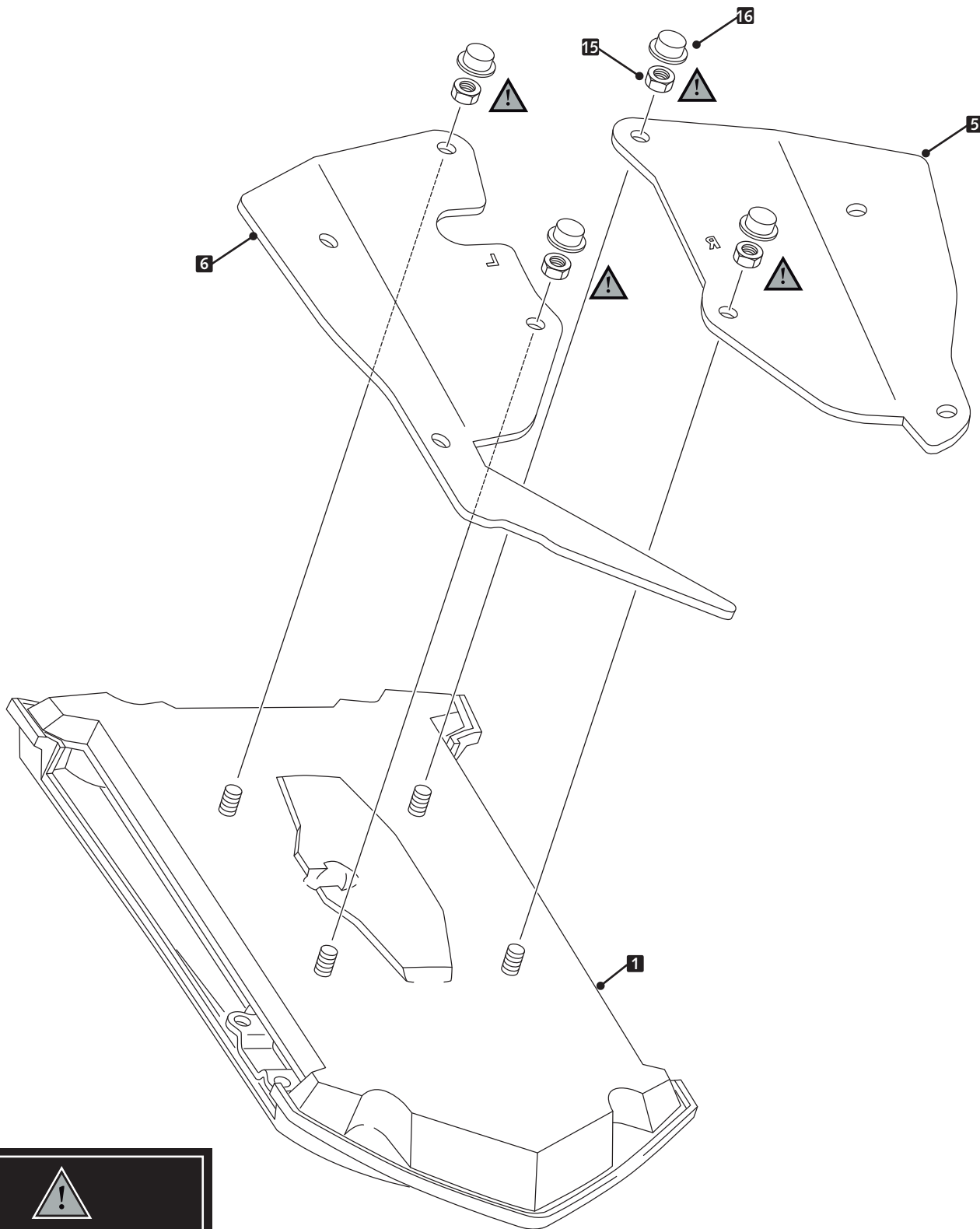
ELECTRONIC REGULABLE SYSTEM (E.R.S.)

BMW F750GS '18- / F850GS '18-

MOUNTING INSTRUCTIONS

1

ASSEMBLY



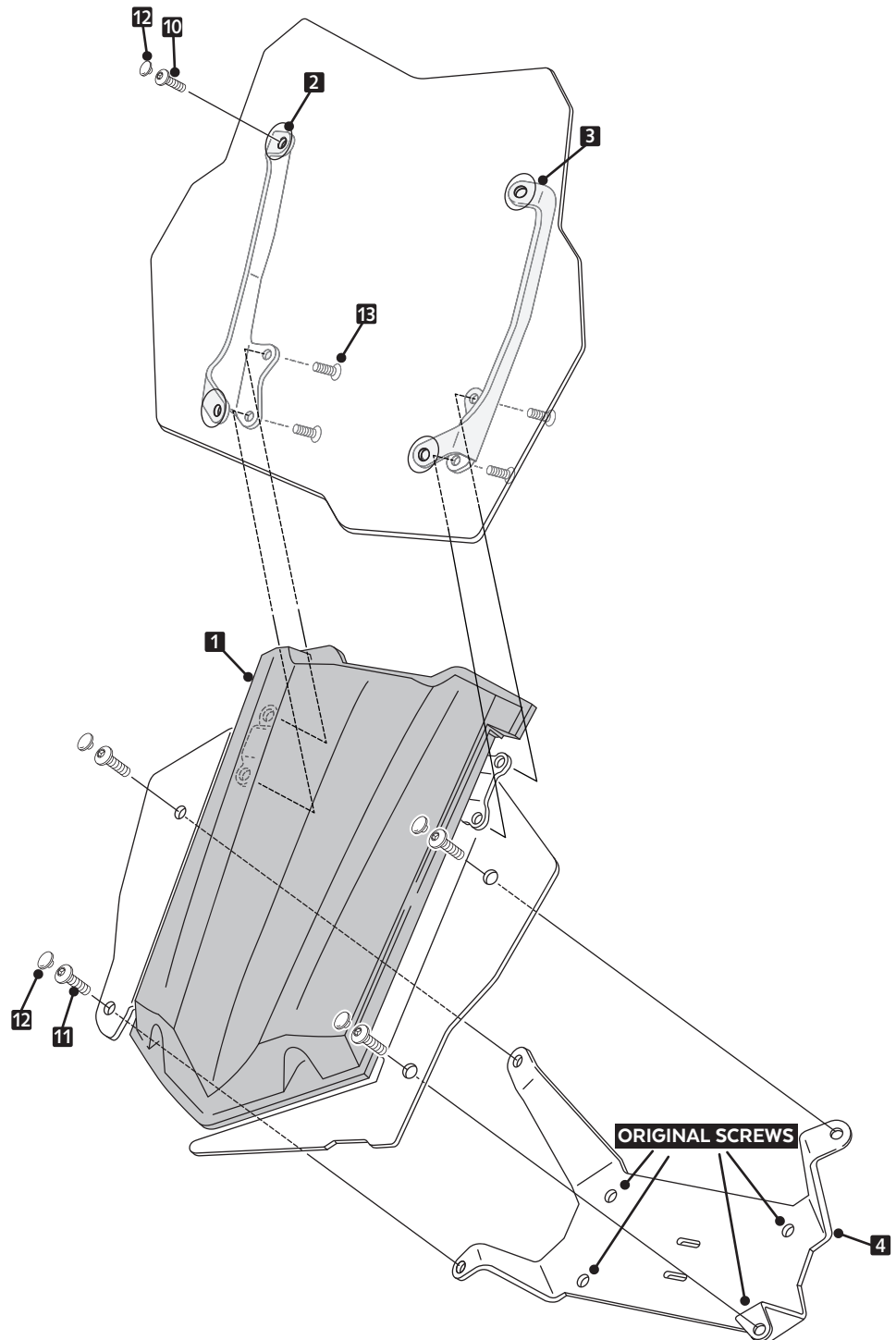
ELECTRONIC REGULABLE SYSTEM (E.R.S.)

BMW F750GS '18- / F850GS '18-

MOUNTING INSTRUCTIONS

2

ASSEMBLY



WIRING DIAGRAM

REF 3157

