

HONDA CB1000R '18- / CB650R '19-

REF 3133

SEMI-FAIRING RETRO (BLACK)

REF 3143

SEMI-FAIRING RETRO (CARBON LOOK)



1 Person



25 min



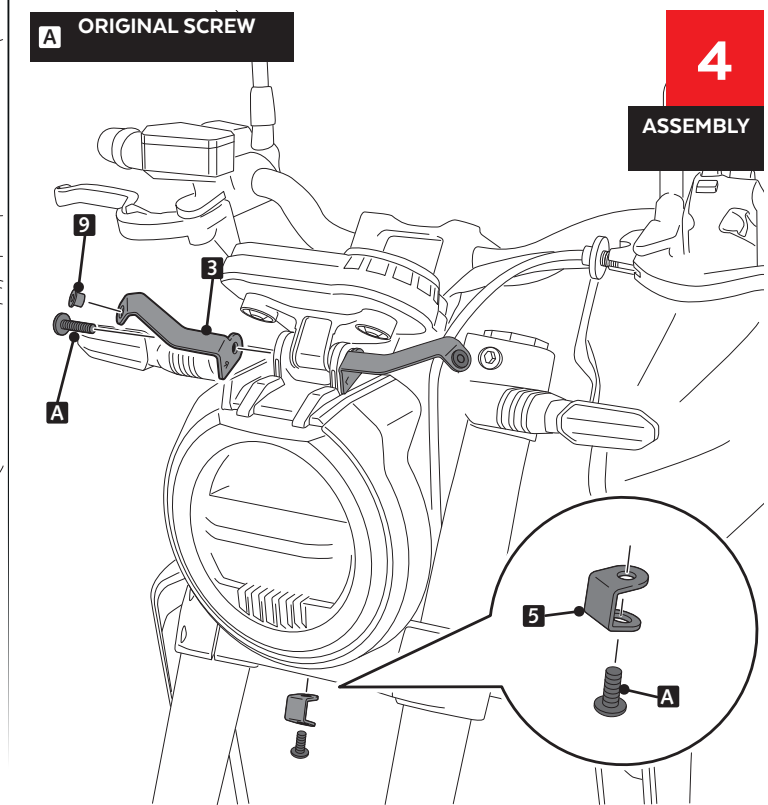
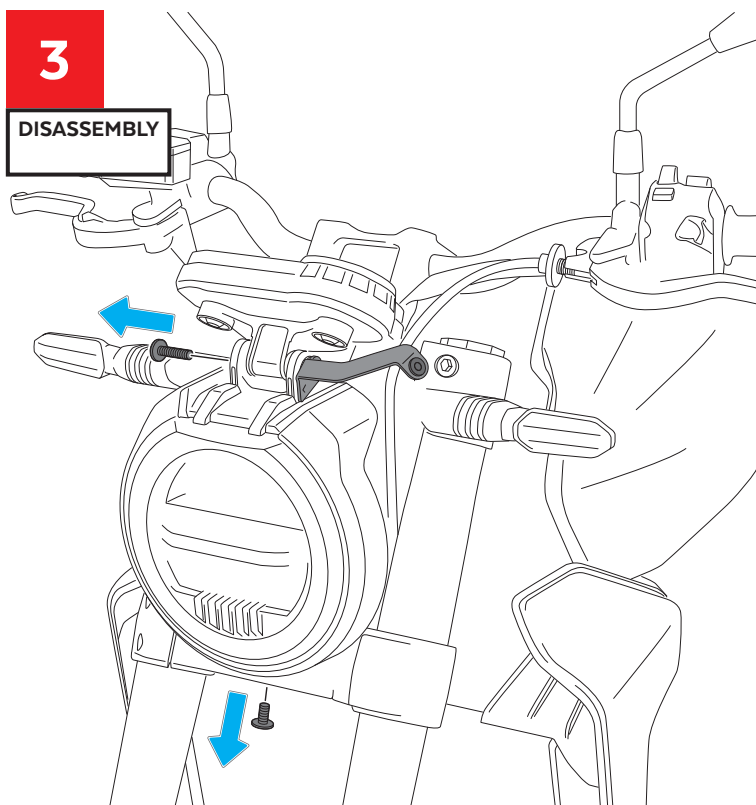
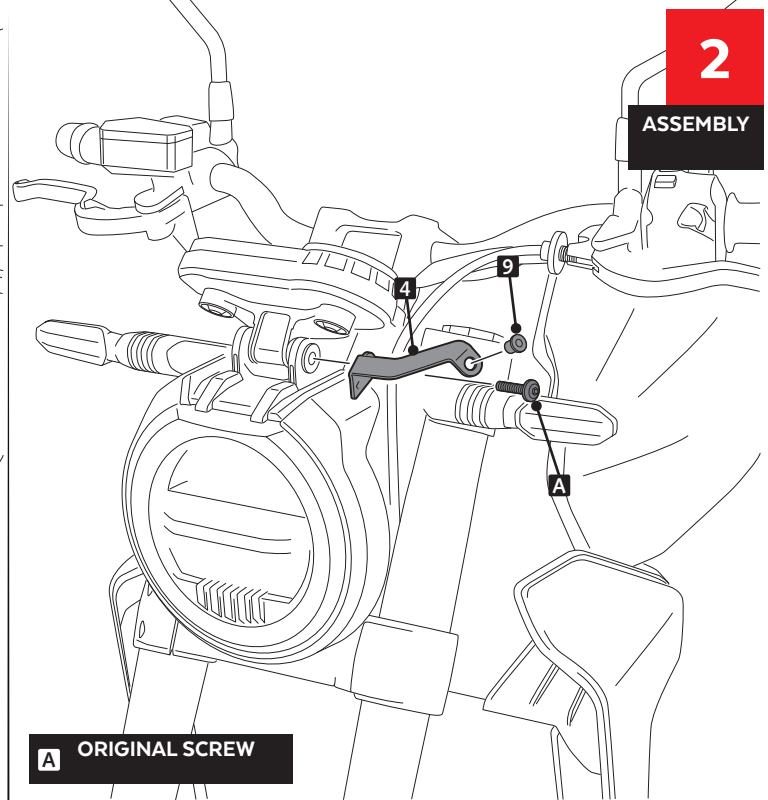
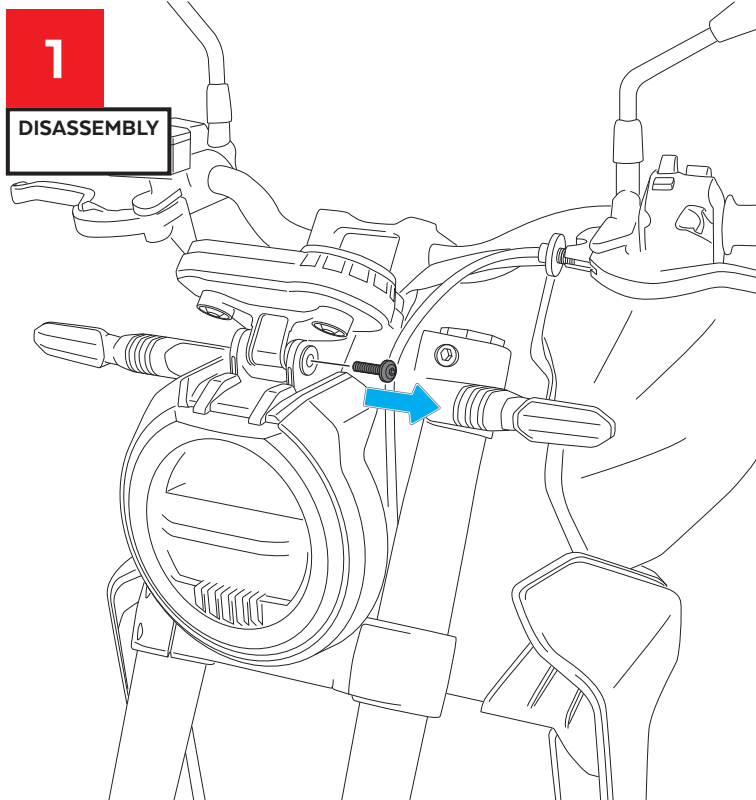
MEDIUM



ID	PART	DESCRIPTION	QTY	REF
1		Screen	1	9196 F/H/N/WM3
2		ABS fairing	1	10647J/C
3		right metal support (R)	1	SOPOR-3P-3-3133
4		left metal support (L)	1	SOPOR-3P-3-3133
5		Lower support	1	SOPOR-3P-3-3133
6		M4 silentblock	5	SILENBTM4---062
7		M4x16 ISO7380 Allen screw	5	TORNIAI7380-310
8		M4x0,5 nylon washer	5	ARNV00000000311
9		M5 silentblock	3	SILENBTM5-046/1
10		M5x16 Ø11 ISO 7380 Allen screw	3	TORNI-I7380-493
11		M5x1 Nylon washer	3	ARNV00000000245
12		M5 ISO 7380 Allen screw cap	3	TAPON-----85
13		Sticker set	1	10590

HONDA CB1000R '18- / CB650R '19-

MOUNTING INSTRUCTIONS



HONDA CB1000R '18- / CB650R '19-

MOUNTING INSTRUCTIONS

