



Produced with plastic material of great toughness (almost unbreakable) and with the color from billet plastic.

In order to set the case steady and firm, it is recommended that 3/4 of its base is resting on the rack.

THE TOP CASES CARRY THE FOLLOWING ACCESSORIES:

ID.	DESCRIPTION	QTY.
1	Key lock	1
2	Lock through handle	1
3	Side locks	2
4	Iron plate (all cases)	4
5	M6x40 fasteners DIN912 (all cases)	4
6	M6 nut DIN6923 (all cases)	4
7	M6 round cover (all cases)	4
8	Wave support (all cases)	4

TOP CASES

<p>With key lock Ref.: 0468 <input type="checkbox"/></p> <p>With rubber handle Ref.: 1126 <input type="checkbox"/></p> <p>Rear opening</p> <p>90 litros</p>	<p>With key lock Ref.: 2328 <input type="checkbox"/></p> <p>Without key lock Ref.: 3108 <input type="checkbox"/></p> <p>Rear opening</p> <p>100 litros</p>
<p>Ref.: 1126 + BANDEJA 1886N <input type="checkbox"/></p> <p>Ref.: 0468 + TRAY</p> <p>Rear opening</p>	
<p>With key lock Ref.: 0713 <input type="checkbox"/></p> <p>Upper opening</p> <p>90 litros</p>	<p>With key lock Ref.: 0390 <input type="checkbox"/></p> <p>Upper opening</p> <p>60 litros</p>

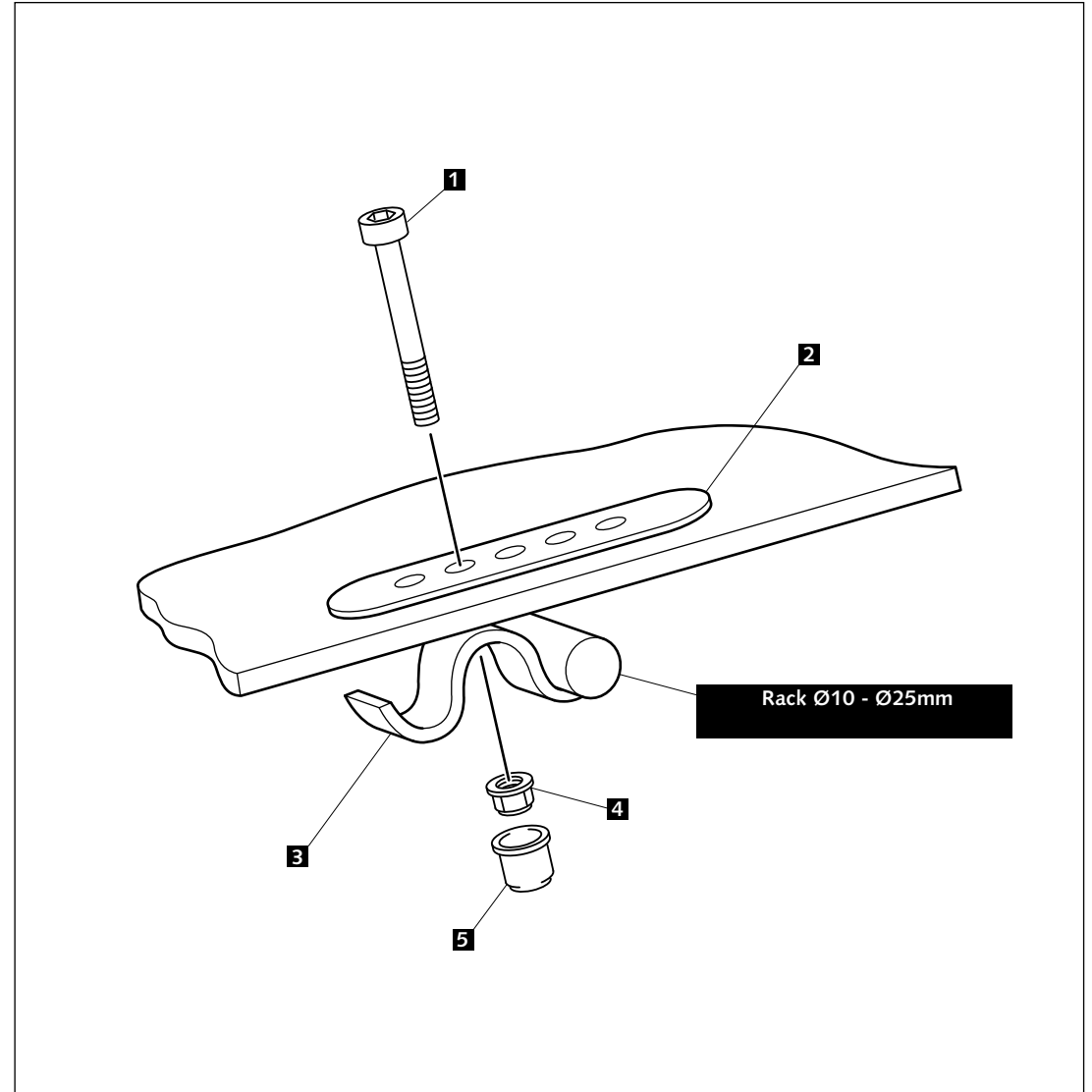


Produced with plastic material of great toughness (almost unbreakable) and with the color from billet plastic.

In order to set the case steady and firm, it is recommended that 3/4 of its base its base is resting on the rack.

ID.	DESCRIPTION	QTY.
1	M6x40 fasteners DIN912 (all cases)	4
2	Iron plate (all cases)	4
3	Wave support (all cases)	4
4	M6 nut DIN6923 (all cases)	4
5	M6 round cover (all cases)	4

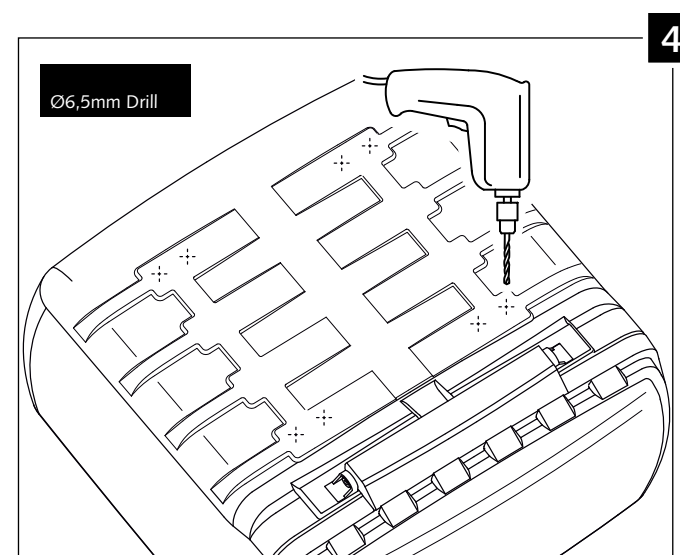
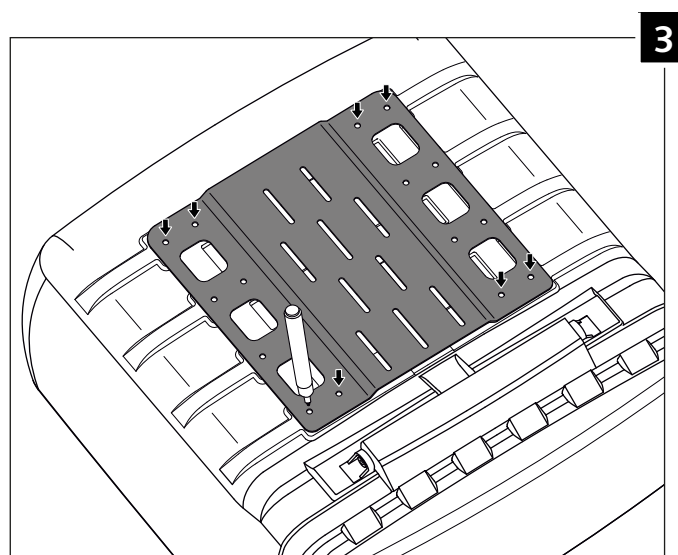
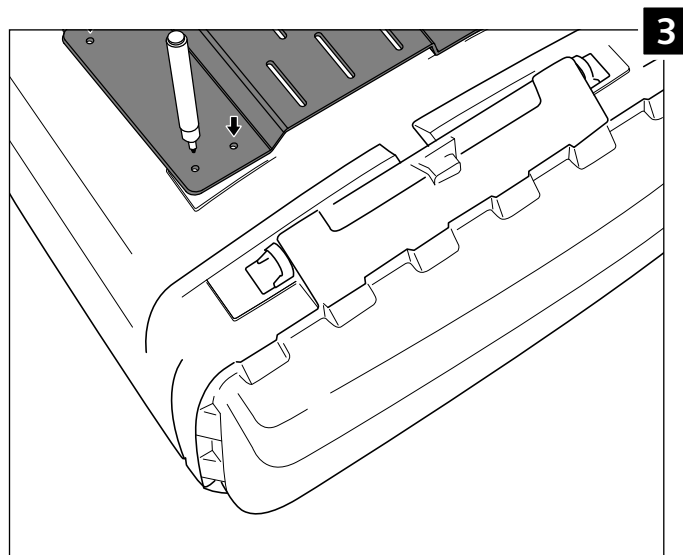
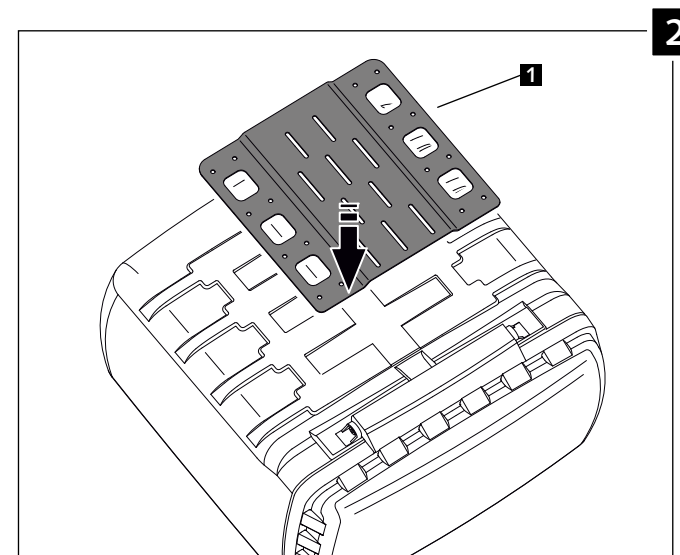
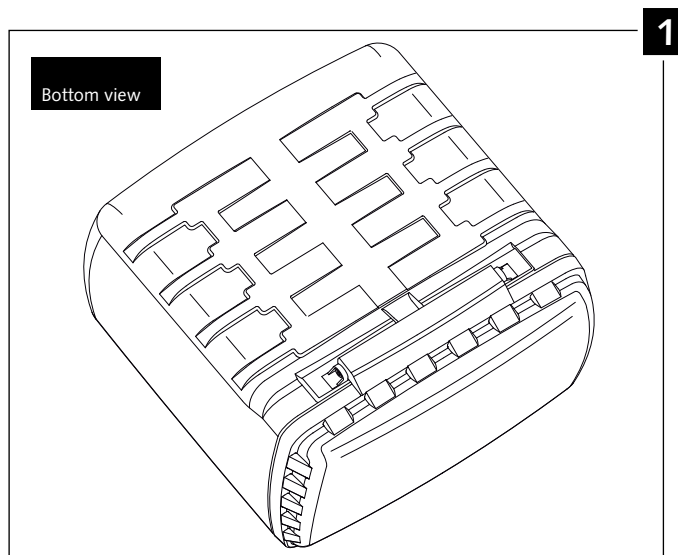
TOP CASES



MOUNTING INSTRUCTIONS

METALLIC BASE FOR SUITCASE 2328/3108

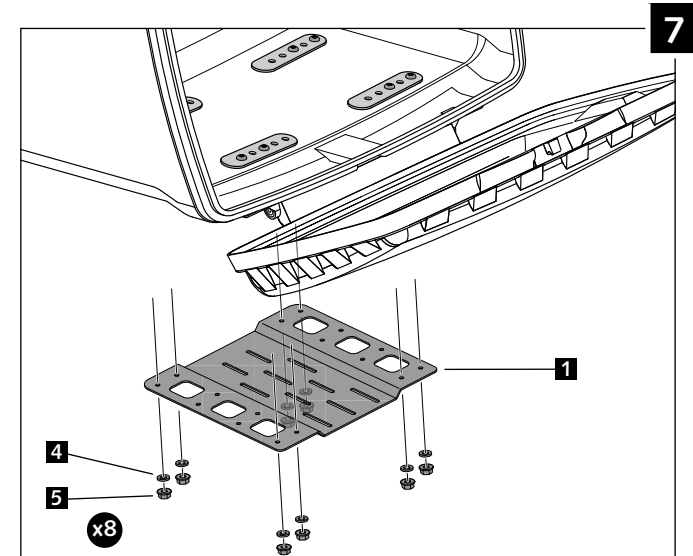
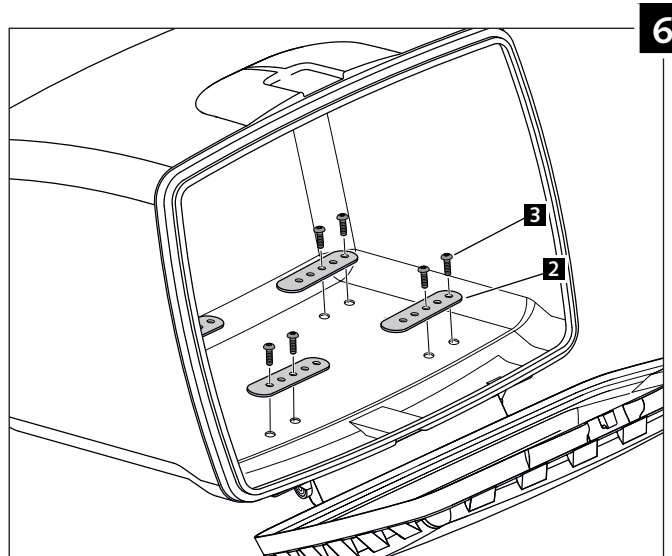
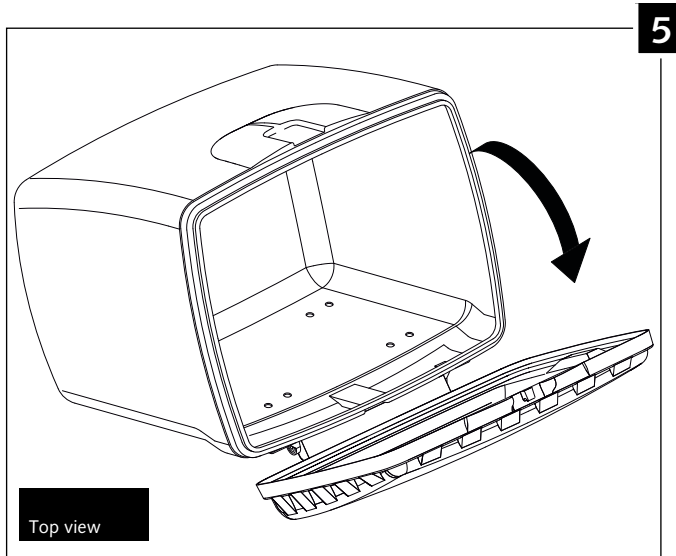
Ref.: 3506N



MOUNTING INSTRUCTIONS

METALLIC BASE FOR SUITCASE 2328/3108

Ref.: 3506N



MOUNTING INSTRUCTIONS

If you are not mechanical, please contact a specialist workshop. MOTOPLASTIC no responsibility for damage caused by incorrect assembly of the product.

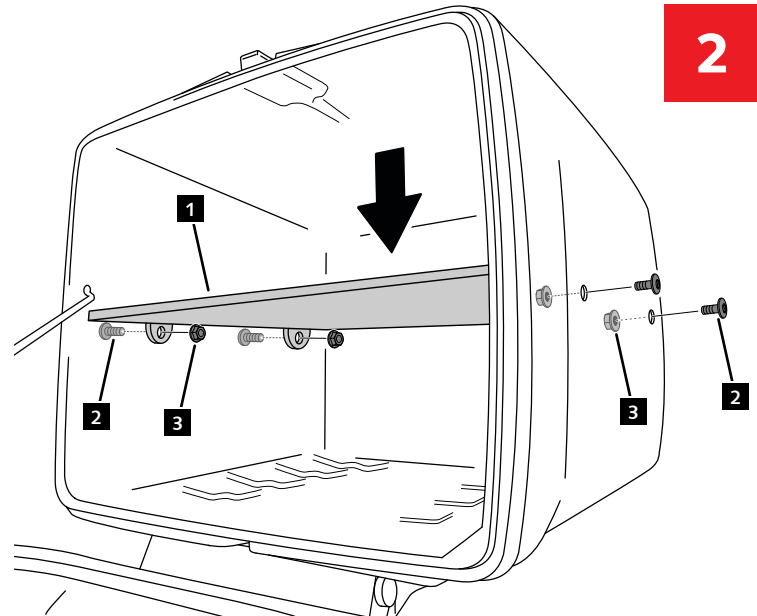
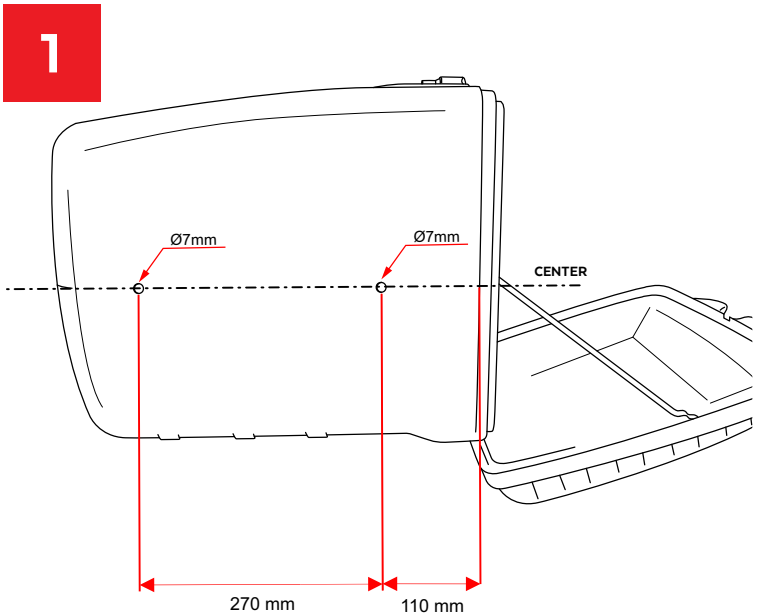
ID.	DESCRIPTION	QTY.
1	Rack	1
2	Plates (Supplied with the suitcase)	4
3	M6x20 DIN1001 screw	8
4	M6 DIN125/A washer	8
5	M6 DIN6923 nut	8

UNIVERSAL

MOUNTING INSTRUCTIONS

REF 3844N

KIT BANDEJA MEGA BOX / MEGA BOX TRAY KIT



ID.	DESCRIPTION	QTY.	REF.:
1	Aluminum tray	1	3844N
2	M6x15 DIN 1001 screw	4	M2TM06015D1001N
3	M6 DIN 6923 nut	4	TUERCAEM6G-0213