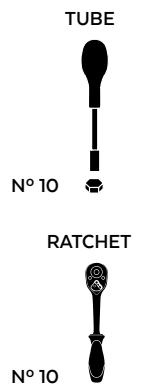


YAMAHA MT-09 '21-

MOUNTING INSTRUCTIONS

REF 20672N

PHB19 PROTECTOR SWINGARM



ID.	PART	QTY.	REF.:
1		1	PROBAS15-3-0015
2		1	PROBAS06-3-0006
3		1	VARIFO08-1-0008
4		2	TUZBM6000000024
5		2	ARANDEPD125-054
6		2	TAPAFINALR17-18

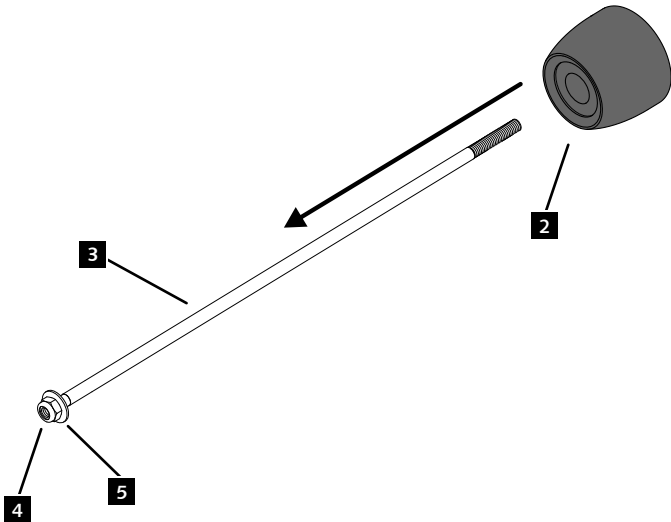
YAMAHA MT-09 '21-

REF
20672N

MOUNTING INSTRUCTIONS

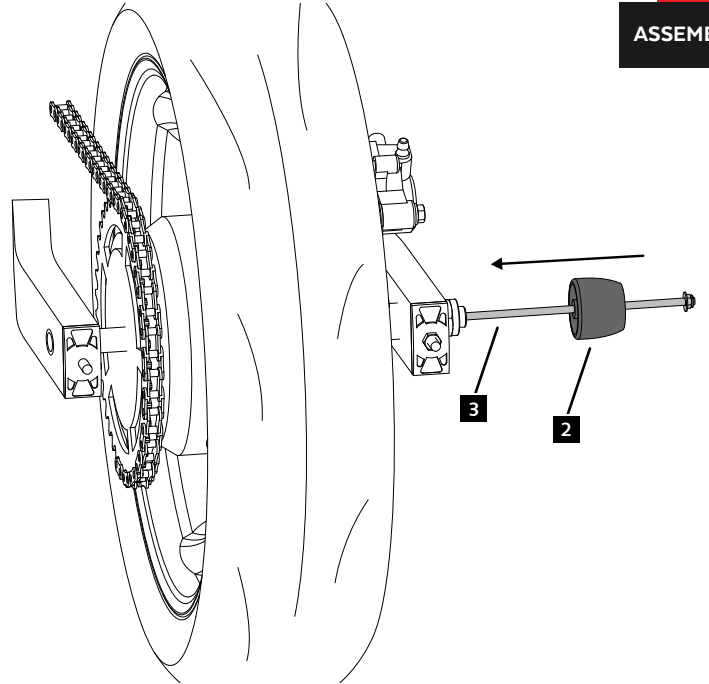
1

ASSEMBLY



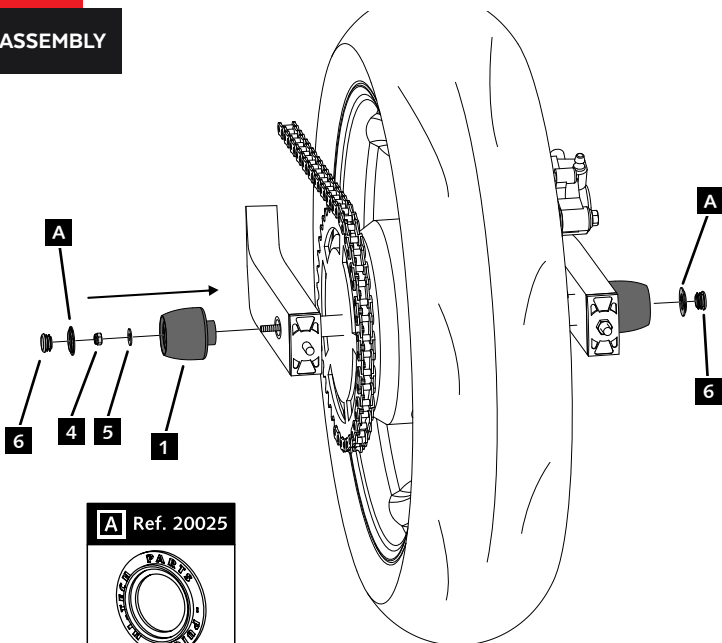
2

ASSEMBLY

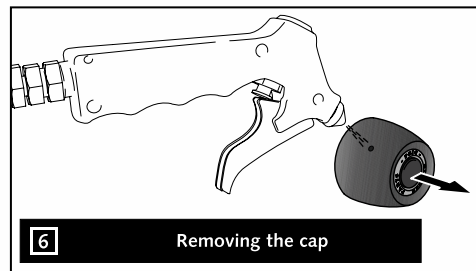


3

ASSEMBLY



4 86 lbf/in - Tightening torque



6 Removing the cap